

# **Kubota**

# **V3800DI-T**

# **Engine**

Form No.  
917328  
Revision A  
05/08

---

**(P/N 196110)**

**Gehl CTL85**

**Mustang MTL325**

**Track Loaders**



**ENGINE PARTS MANUAL**

## **Introduction**

This manual covers the Kubota V3800DI-T engine (P/N 196110), used in Gehl CTL85 - Mustang MTL325 track loaders.

When ordering service parts, specify the correct part number, full description, quantity required, and the engine model number and serial number.

Items shown that do not have a part number are shown for reference purposes only and are not available for purchase. Part numbers may change. Your Gehl or Mustang dealer will have the latest part number.

Gehl® Company and the Mustang® Manufacturing Co., Inc., reserve the right to make changes or improvements in the design or construction of any part of the unit without incurring the obligation to install such changes on any previously delivered units.

---

## **CAUTION**

**For maximum engine life, when shutting the engine down, allow the engine to idle, without load, for five minutes. This will allow engine components that operate at high temperatures to cool slightly before the engine itself is shut down.**

---

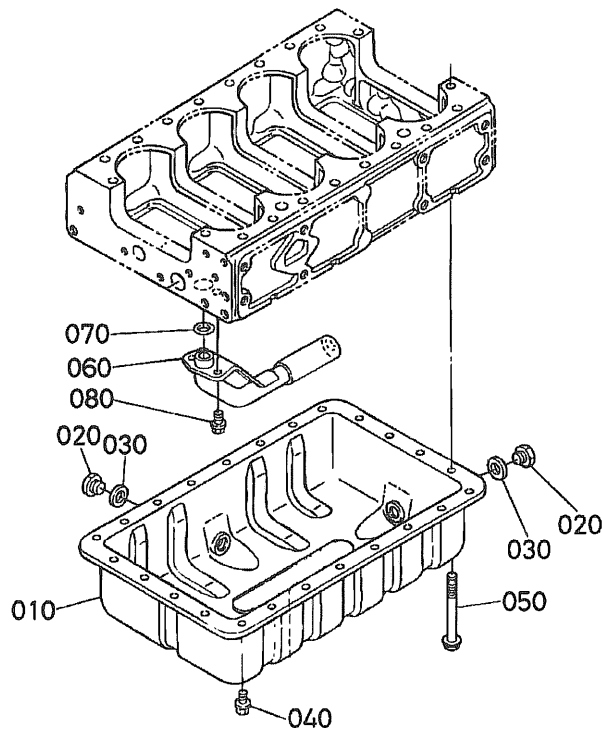
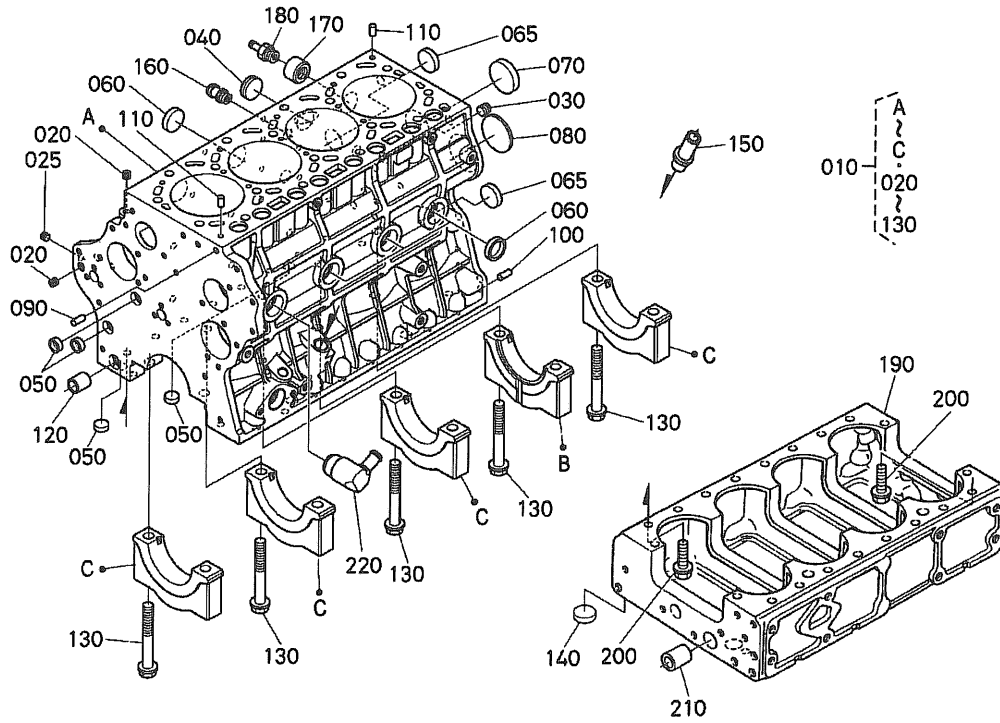
**GEHL is a registered trademark of the Gehl Company.**

**MUSTANG is a registered trademark of the Mustang Manufacturing Co., Inc.**

# TABLE OF CONTENTS

DESCRIPTION	PAGE
<b><u>ENGINE SERVICE PARTS</u></b>	
Crankcase and Oil Pan . . . . .	1
Dipstick and Guide, Cylinder Head . . . . .	3
Inlet Valve and Exhaust Valve and Rocker Arm Shaft. . . . .	5
Head Cover and Gear Case . . . . .	7
Oil Filter and Main Bearing Case. . . . .	9
Piston and Crankshaft. . . . .	11
Camshaft and Idle Gear Shaft, Flywheel . . . . .	13
Injection Pump Unit . . . . .	15
Injection Pump Housing and Injection Pump. . . . .	17
Fuel Pump Cover and Fuel Camshaft. . . . .	19
Governor. . . . .	21
Fork Lever (Governor) . . . . .	23
Restriction Adjusting Bolt . . . . .	25
Fuel Filter and Separator . . . . .	27
Nozzle Holder and Glow Plug, Overflow Pipe . . . . .	29
Alternator and Pulley, Alternator (Component Parts) . . . . .	31
Starter and Starter (Component Parts) . . . . .	33
Stop Solenoid and Oil Switch/Thermometer and Plug. . . . .	35
Water Flange and Thermostat, Water Pump and Pipe . . . . .	37
Reserve Tank and Fan . . . . .	39
Inlet and Exhaust Manifolds. . . . .	41
EGR Valve and EGR Cooler . . . . .	43
Boost Air Pipe and Turbocharger. . . . .	45
Oil Pipe (Turbocharger) and Oil Pipe (Mechanical Timer) . . . . .	47
Oil Cooler and Hydraulic Pump. . . . .	49
Accessories and Service Parts . . . . .	51
Numerical Index . . . . .	54

# CRANKCASE AND OIL PAN

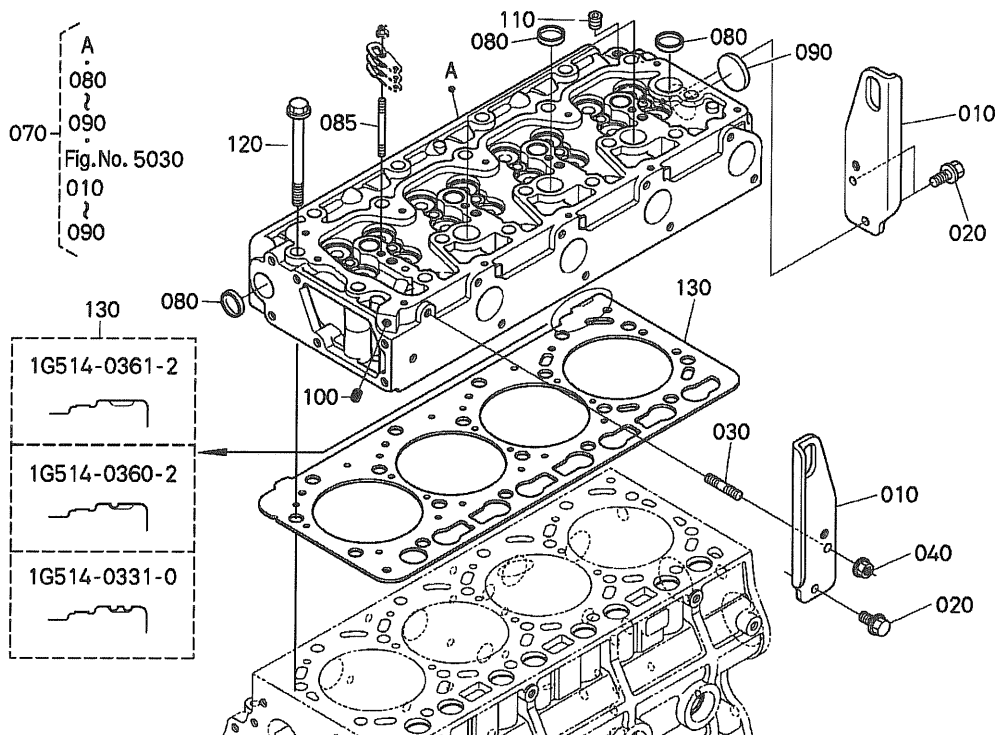
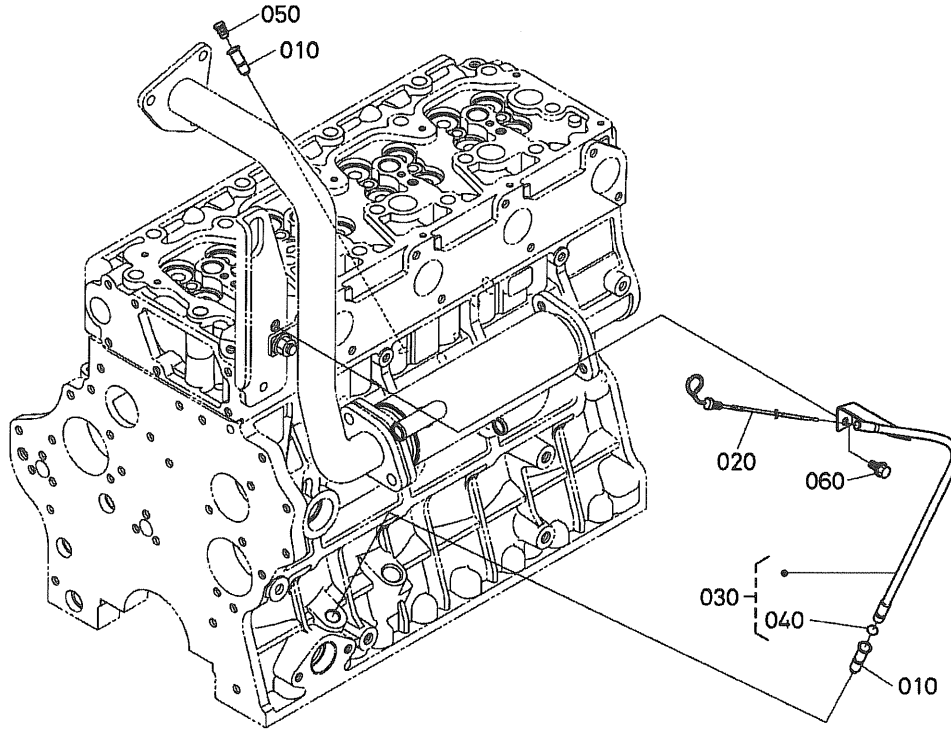


# CRANKCASE AND OIL PAN

Ref. No.	Part No.	Description	Quantity V3800DI-T
10	K1J55001013	COMP.CRANKCASE	1
20	K1552196020	PLUG	2
25	K1584196020	PLUG	1
30	K1C01096010	PLUG	1
40	K1668396020	PLUG	1
50	K1526103370	CAP,SEALING	4
60	K1522103380	CAP,SEALING	5
65	K1522103380	CAP,SEALING	2
70	K1522103390	CAP,SEALING	1
80	K1C01096160	PLUG,EXPANSION	1
90	K0501200820	PIN,STRAIGHT	1
100	K0501201016	PIN,STRAIGHT	4
110	K1522133650	PIN,PIPE	2
120	K1C01033640	PIN,GEAR CASE	1
130	K1C01004560	BOLT,BEARING CASE	10
140	K1522103380	CAP,SEALING	1
150	K1C04033212	PIPE,OIL	1
160	K1C01037114	JOINT,WATER PIPE	1
170	K1J55071370	JOINT,PIPE	1
180	K1G37773170	PIPE JOINT,DRAIN	1
190	K1C01001126	CRANKCASE	1
200	K0177451030	BOLT,FLANGE	16
210	K1C01033650	PIN,GEAR CASE	1
220	K1J57471362	JOINT,PIPE	1

Ref. No.	Part No.	Description	Quantity V3800DI-T
10	K1C01001503	COMP.OIL_PAN	1
20	K1570733750	PLUG,DRAIN	2
30	K1626596670	GASKET	2
40	K1C01091100	BOLT,OIL_PAN	20
50	K0177451004	BOLT,FLANGE	4
60	K1C01032110	FILTER,OIL	1
70	K0481400220	O_RING	1
80	K0175450814	BOLT,FLANGE	2

# DIPSTICK AND GUIDE, CYLINDER HEAD



## DIPSTICK AND GUIDE, CYLINDER HEAD

Ref. No.	Part No.	Description	Quantity V3800DI-T
10	K1C01036422	GUIDE,OIL_GAUGE	2
20	K1G37736410	GAUGE,OIL	1
30	K1G37736500	ASSY_GUIDE,OIL_GAUGE	1
40	K0481400090	O_RING	1
50	K1G51336550	PLUG,OIL_GAUGE	1
60	K0175450810	BOLT,FLANGE	1

Ref. No.	Part No.	Description	Quantity V3800DI-T
10	K1J55001745	HOOK,ENGINE	2
20	K0175450814	BOLT,FLANGE	3
30	K1522191530	STUD	1
40	K0275150080	NUT,FLANGE	1
70	K1C02003027	ASSY_CYLINDER_HEAD	1
80	K1522103370	CAP,SEALING	5
85	K0151350875	STUD	4
90	K1522103490	CAP,SEALING	1
100	K1552196020	PLUG	1
110	K1584196020	PLUG	1
120	K1C01003450	BOLT,CYLINDER_HEAD	18
130	K1G51403310	GASKET,CYLINDER_HEAD(STD)	1
130	K1G51403602	GASKET,CYLINDER_HEAD(SELECT)	1
130	K1G51403612	GASKET,CYLINDER_HEAD(SELECT)	1



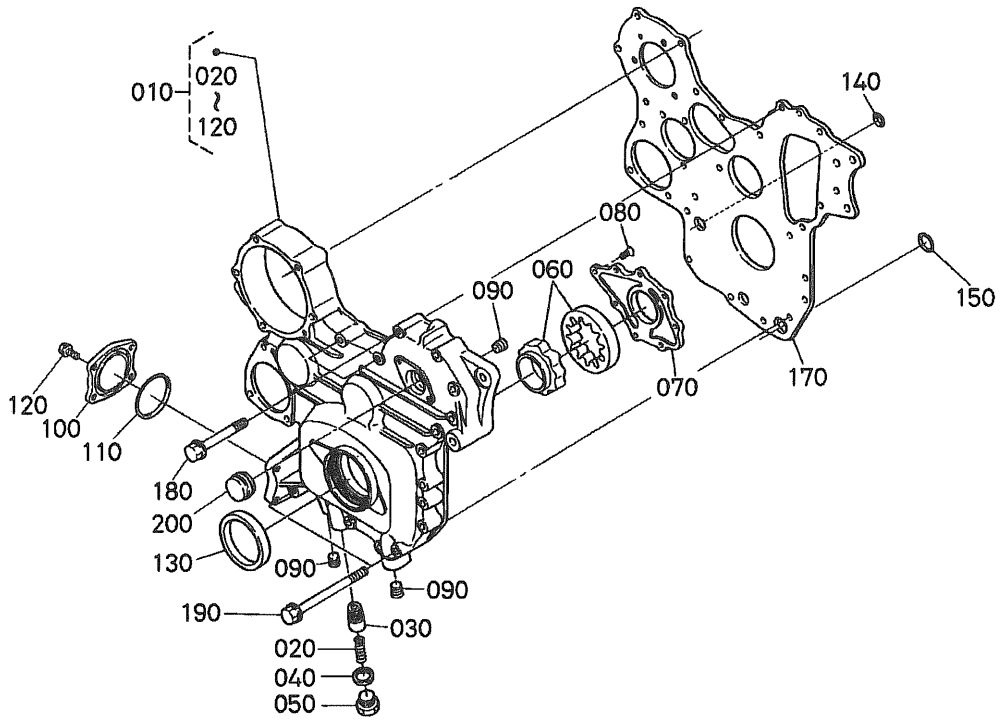
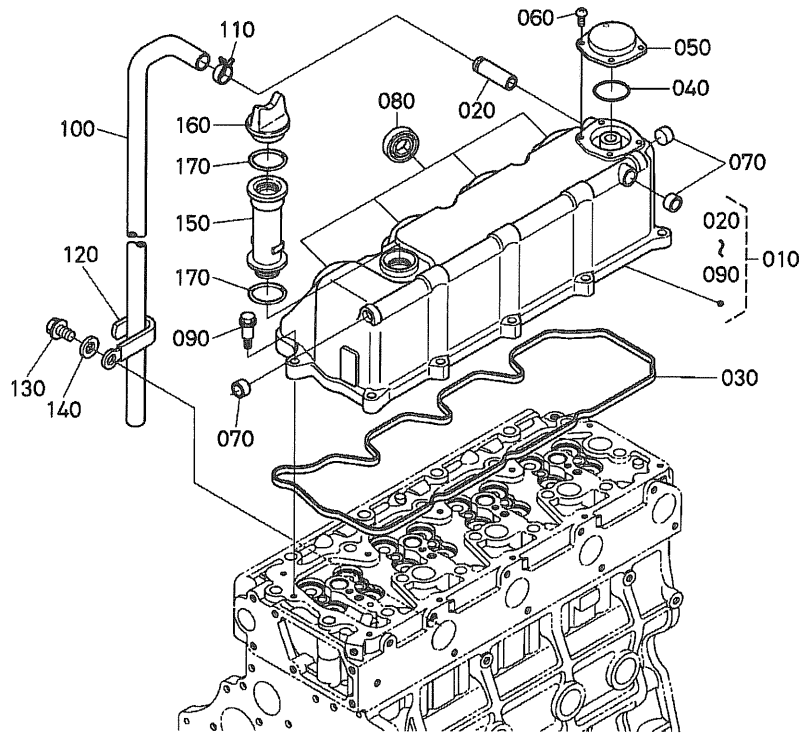


## INLET VALVE AND EXHAUST VALVE, ROCKER ARM SHAFT

Ref. No.	Part No.	Description	Quantity V3800DI-T
5	K1C02003027	ASSY_CYLINDER_HEAD	1
10	K1626113540	GUIDE,INLET_VALVE	8
20	K1626113560	GUIDE,EXHAUST_VALVE	8
30	K1C02013112	VALVE,INLET	8
40	K1C02013122	VALVE,EXHAUST	8
50	K1C01013240	SPRING,VALVE	16
60	K1626113330	RETAINER,SPRING	16
70	K1526113360	COLLET,VALVE_SPRING(SET)	16
80	K1C01013150	SEAL,VALVE_STEM	16
90	K1C01013482	SHAFT,VALVE	8
100	K1C02013463	ARM,VALVE_BRIGE	8
110	K1C01013490	PAD	8

Ref. No.	Part No.	Description	Quantity V3800DI-T
10	K1C02014050	ASSY_SHAFT,RARM	1
20	K0341050808	SCREW,SET	2
30	K1C02014350	BRACKET,ROCKER_ARM	4
40	K0541100528	PIN,SPRING	1
50	K1C01014430	WASHER	2
60	K0461200160	CIR_CLIP,EXTERNAL	2
70	K1C02014310	SPRING,ROCKER_ARM	3
80	K1C02014020	ASSY_ROCKER_ARM,IN.	4
90	K1552114230	SCREW,ADJUSTING	4
100	K1502114240	NUT	4
110	K1C02014150	ASSY_ROCKER_ARM,EXH.	4
120	K1552114230	SCREW,ADJUSTING	4
130	K1502114240	NUT	4
140	K1C02094510	PIN,STRAIGHT	4
150	K0177451060	BOLT,FLANGE	4

# HEAD COVER AND GEAR CASE

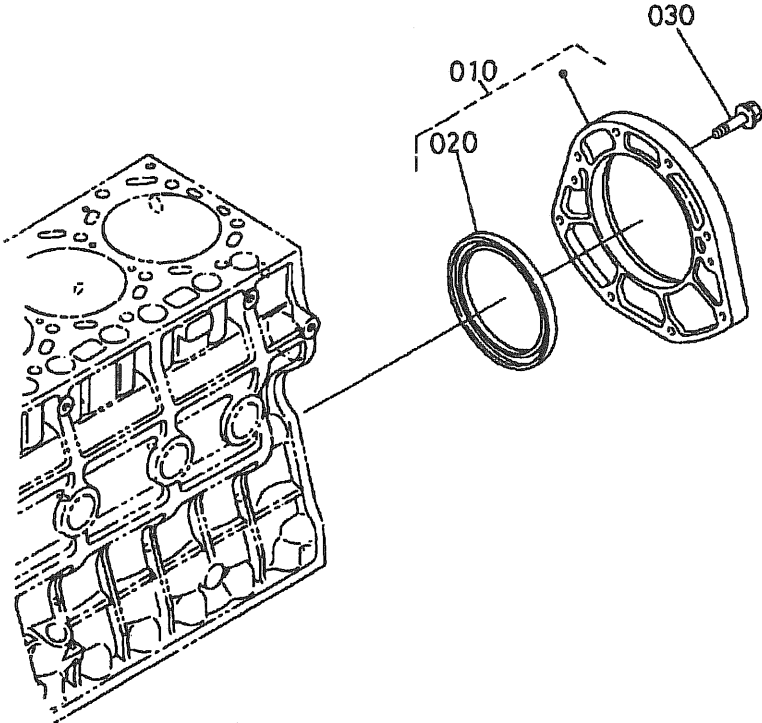
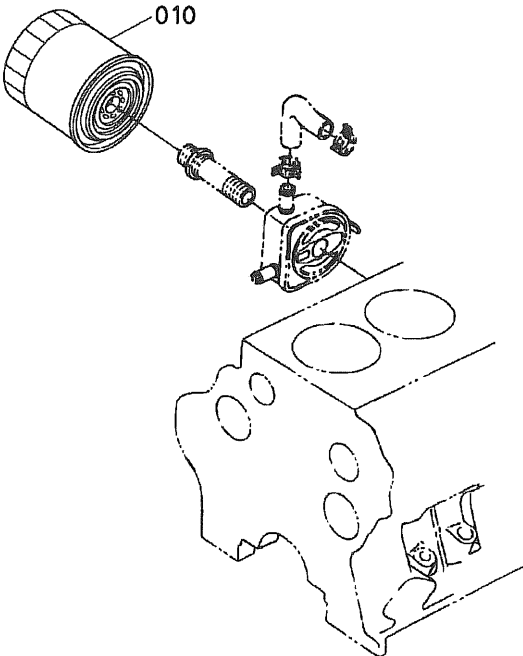


## HEAD COVER AND GEAR CASE

Ref. No.	Part No.	Description	Quantity V3800DI-T
10	K1G37714500	ASSY_COVER,CYL.HEAD	1
20	K1624105550	JOINT,BREATHER_PIPE	1
30	K1C02014520	GASKET,HEAD_COVER	1
40	K1A02105430	O_RING,BREATHER	1
50	K1G74205120	COVER,BREATHER	1
60	K0305450508	SCREW,PANHEAD	4
70	K0631185016	CAP,SEALING	3
80	K1C02053810	SEAL,INJECTION PIPE	4
90	K1C01091020	BOLT	10
100	K1C04005510	PIPE,BREATHER	1
110	K1624133510	BAND,PIPE	1
120	K6801151160	CLAMP,CORD	1
130	K0177451014	BOLT,FLANGE	1
140	K0401360100	WASHER,PLAIN	1
150	K1595133113	FLANGE,OIL_FILLER	1
160	K1G38633140	PLUG,OIL_FILLER	1
170	K0481750300	O_RING	2

Ref. No.	Part No.	Description	Quantity V3800DI-T
10	K1C02004010	ASSY_CASE,GEAR	1
20	K1C01036950	SPRING	1
30	K1C01036922	VALVE,RELIEF	1
40	K1545196670	GASKET	1
50	K1C01036960	PLUG	1
60	K1C01035070	ASSY_ROTOR,OIL_PUMP	1
70	K1C01035130	COVER,OIL_PUMP	1
80	K0301650616	SCREW,CSKHD	8
90	K1C01096020	PLUG	3
100	K1C01032880	COVER,OIL_FILTER	1
110	K1920296830	O_RING	1
120	K0175450820	BOLT,FLANGE	4
130	K1C02004140	SEAL,OIL	1
140	K0481400200	O_RING	1
150	K0481400240	O_RING	1
170	K1C01004162	PLATE,GEAR_CASE	1
180	K1C01091030	BOLT,FLANGE	13
190	K1C01091040	BOLT,FLANGE	2
200	K1626483342	COVER,GEAR_CASE	1

# OIL FILTER AND MAIN BEARING CASE

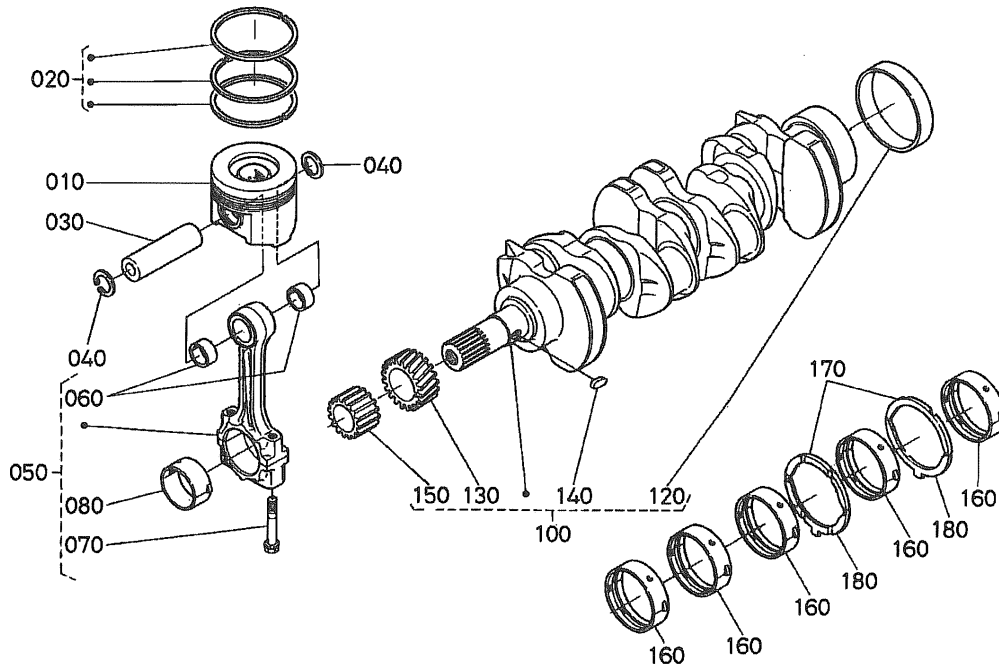


# OIL FILTER AND MAIN BEARING CASE

<b>Ref. No.</b>	<b>Part No.</b>	<b>Description</b>	<b>Quantity V3800DI-T</b>
10	195569	CARTRIDGE,OIL_FILTER	1

<b>Ref. No.</b>	<b>Part No.</b>	<b>Description</b>	<b>Quantity V3800DI-T</b>
10	K1C01004300	ASSY_COVER,BRG.CASE	1
20	K1C01004460	SEAL,OIL	1
30	K0175450830	BOLT,FLANGE	8

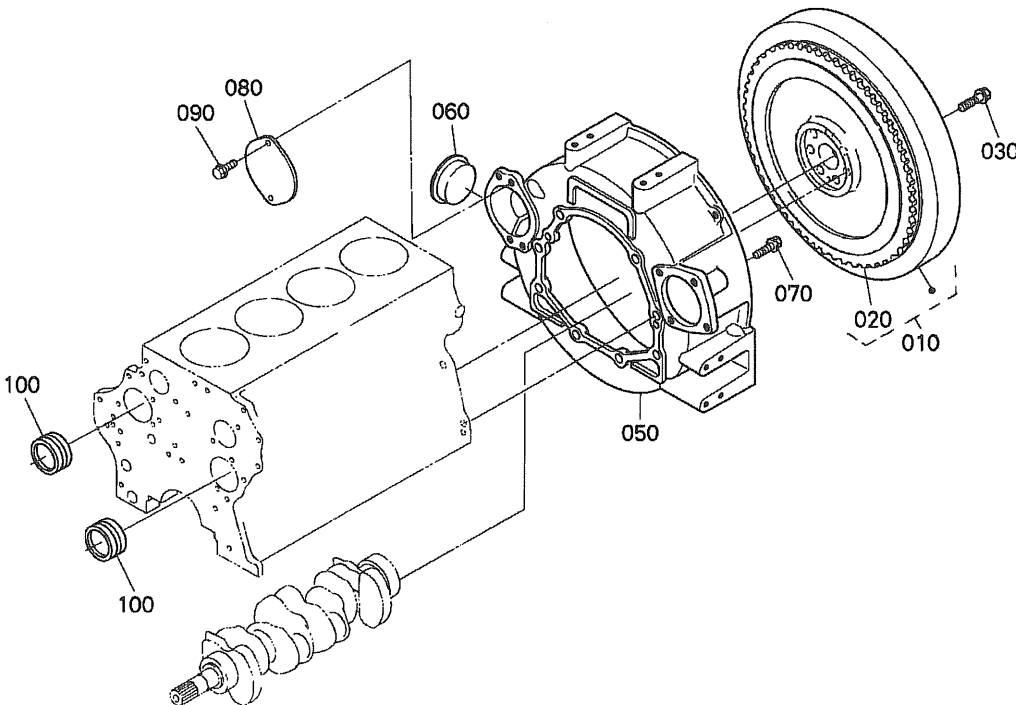
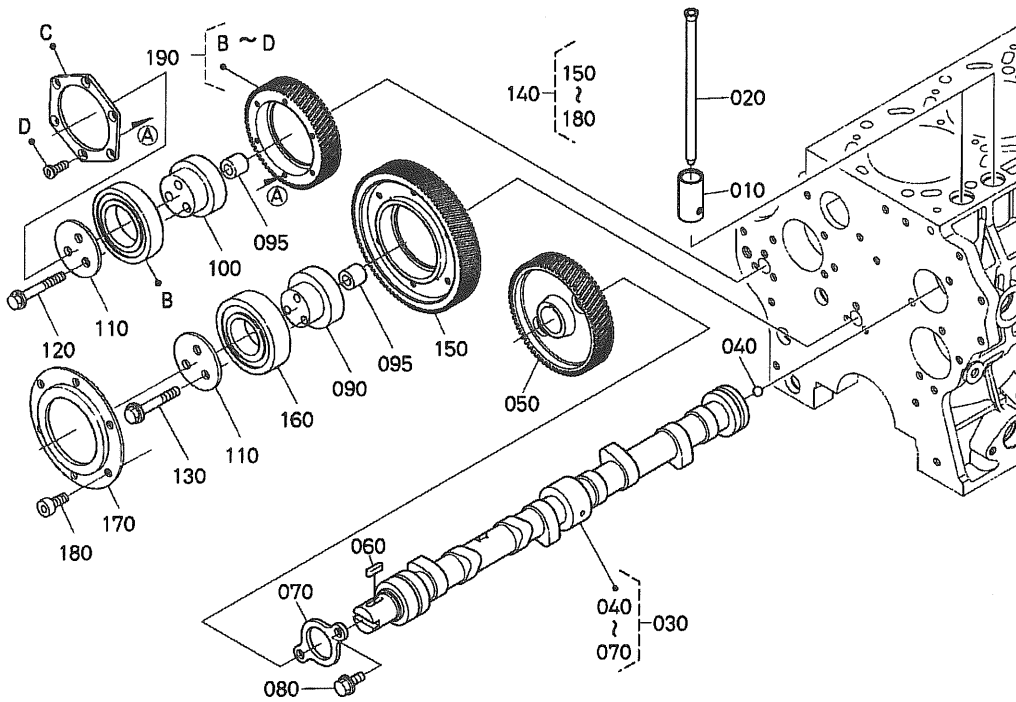
# PISTON AND CRANKSHAFT



# PISTON AND CRANKSHAFT

Ref. No.	Part No.	Description	Quantity V3800DI-T
10	K1J55021110	PISTON(STD)	4
10	K1J55021910	PISTON(+0.50mm)	4
20	K1G51421050	ASS_PISTON_RING(STD)	4
20	K1G51421090	ASSY_PISTON_RING(+0.50mm)	4
30	K1C01021310	PIN,PISTON	4
40	K0461100300	CIR_CLIP,INTERNAL	8
50	K1G51422013	ASSY_ROD,CONNECTING	4
60	K1C01021980	BUSH,PISTON_PIN	8
70	K1C01022142	BOLT,CONNECTING_ROD	8
80	K1C02022312	METAL_CRANKPIN(L:SET)	4
80	K1C02022332	METAL_CRANKPIN(S:SET)	4
80	K1C02022962	METAL_CRANKPIN(0.20mm:SET)	4
80	K1C02022972	METAL_CRANKPIN(0.40mm:SET)	4
100	K1G51423010	COMP.CRANKSHAFT	1
120	K1C01023300	SLEEVE,CRANKSHAFT	1
130	K1C01024112	GEAR,CRANKSHAFT	1
140	K0571200515	KEY,FEATHER	1
150	K1C01035630	GEAR,OIL_PUMP_DRIVE	1
160	K1C02023470	METAL_CRANKSHAFT(STD:SET)	5
160	K1C02023910	METAL_CRANKSHAFT(0.20mm:SET)	5
160	K1C02023920	METAL_CRANKSHAFT(0.40mm:SET)	5
170	K1C01023530	METAL_SIDE(STD)	2
170	K1C01023950	METAL_SIDE(+0.20mm)	2
170	K1C01023960	METAL_SIDE(+0.40mm)	2
180	K1C01023540	METAL_SIDE(STD)	2
180	K1C01023970	METAL_SIDE(+0.20mm)	2
180	K1C01023980	METAL_SIDE(+0.40mm)	2

# CAMSHAFT AND IDLER GEAR SHAFT, FLYWHEEL





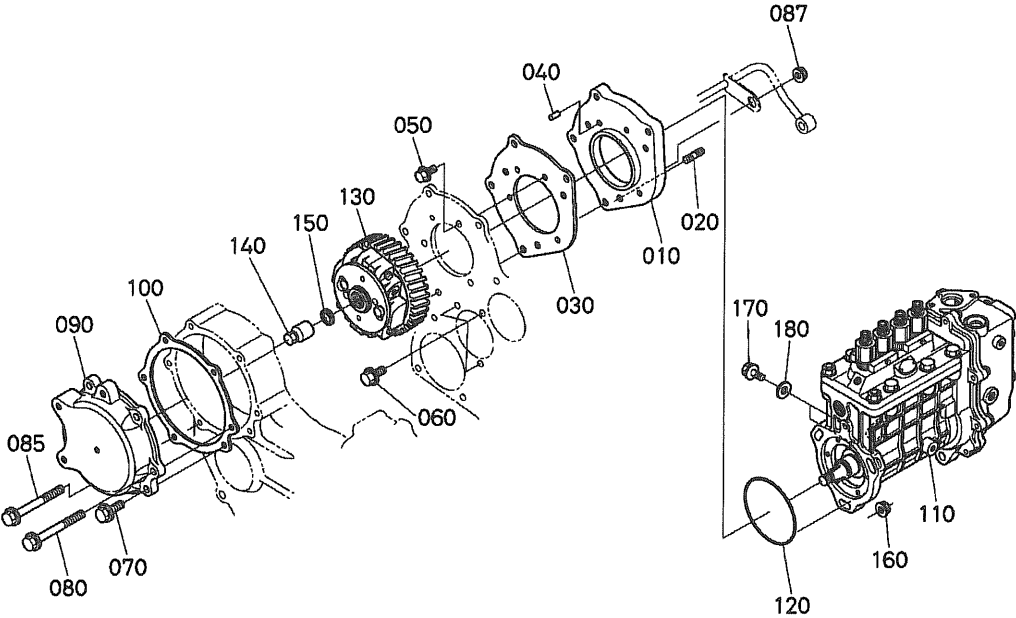
## CAMSHAFT AND IDLER GEAR SHAFT, FLYWHEEL

Ref. No.	Part No.	Description	Quantity V3800DI-T
10	K1560115550	TAPPET	8
20	K1C01015110	PUSH_ROD	1
30	K1C01016012	ASSY_CAMSHAFT	1
40	K0771501605	BALL	1
50	K1C01016512	GEAR,CAM	1
60	K0571200520	KEY,FEATHER	1
70	K1C01016270	STOPPER,CAMSHAFT	1
80	K0175450814	BOLT,FLANGE	2
90	K1K03224250	SHAFT,IDLE_GEAR	1
95	K1C01024520	PIN,GEAR_IDLE	2
100	K1K03224260	SHAFT,IDLE_GEAR	1
110	K1K03224370	COLLAR,IDL_GEAR	2
120	K0175450850	BOLT,FLANGE	3
130	K1K01291010	BOLT,FLANGE	3
140	K1K01224010	COMP.GEAR,IDLE	1
150	K1K01224210	GEAR,IDLE	1
160	K1K01224330	BEARING,BALL	1
170	K1K01224230	STOPPER,IDLE	1
180	K0131110610	BOLT,HEXSOCHD	6
190	K1K01224020	COMP.GEAR,IDLE	1

Ref. No.	Part No.	Description	Quantity V3800DI-T
10	K1G37125010	COMP.FLYWHEEL	1
20	K1G77263820	GEAR,RING	1
30	K1547125162	BOLT,FLYWHEEL	7
50	K1G37104613	HOUSING,FLYWHEEL	1
60	K1C01004680	COVER	1
70	K1G77291030	BOLT,FLANGE	8
80	K1C01004450	COVER,F/W_HOUSING	1
90	K0177451018	BOLT,FLANGE	2
100	K1C02026340	COVER,BLANCER	2

# INJECTION PUMP UNIT

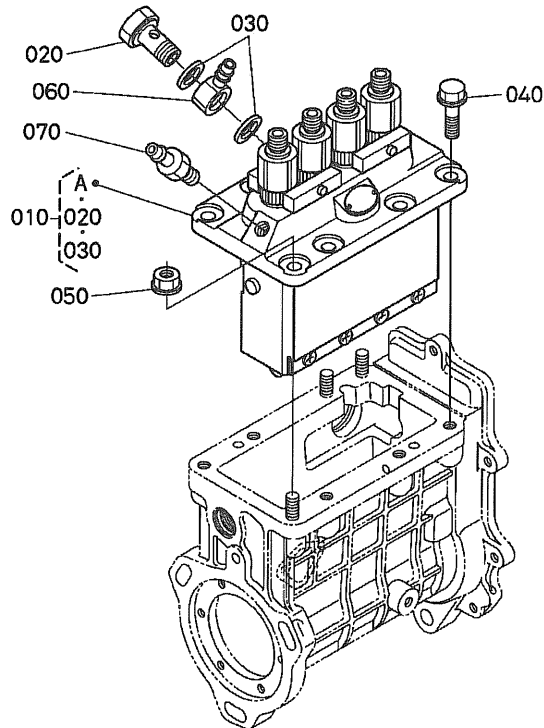
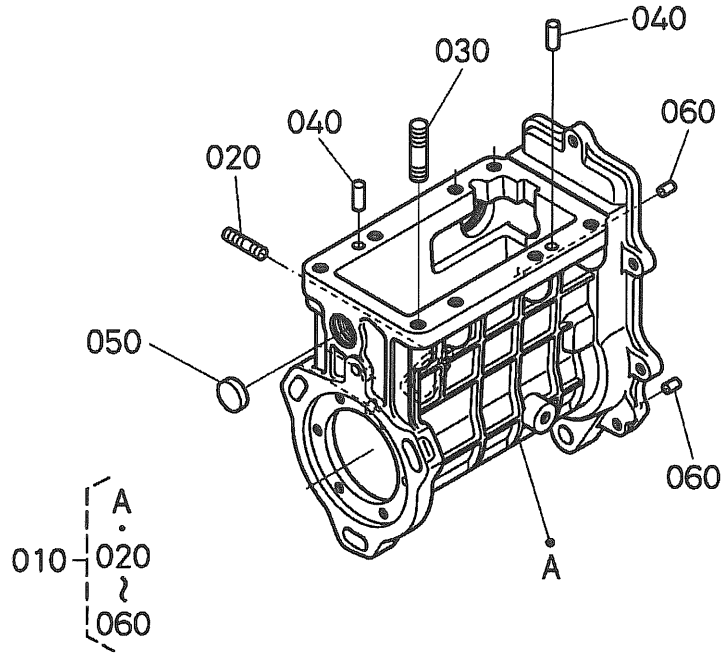
---



# INJECTION PUMP UNIT

Ref. No.	Part No.	Description	Quantity V3800DI-T
10	K1J55051170	BASE,INJECTION_PUMP	1
20	K1C02091490	STUD	3
30	K1C01051180	GASKET,I/P_BASE	1
40	K0501200614	PIN,STRAIGHT	1
50	K0175450614	BOLT,FLANGE	3
60	K0175450814	BOLT,FLANGE	3
70	K0175450825	BOLT,FLANGE	1
80	K0175450875	BOLT,FLANGE	4
85	K1G59691010	BOLT,FLANGE	1
87	K0275150080	NUT,FLANGE	1
90	K1G57451650	COVER,INJ.PUMP	1
100	K1C01051663	GASKET,I/P_COVER	1
110	K1K92550050	PUMP,INJECTION_UNIT	1
120	K1J55052130	GASKET,INJ.PUMP	1
130	K1J55051100	ASSY_TIMER_MECHAN.	1
140	K1J55052580	NUT	1
150	K1J55052590	SPRING_PLATE	1
160	K0275150080	NUT,FLANGE	3
170	K0175450814	BOLT,FLANGE	2
180	K1502133660	GASKET	2

# INJECTION PUMP HOUSING AND INJECTION PUMP

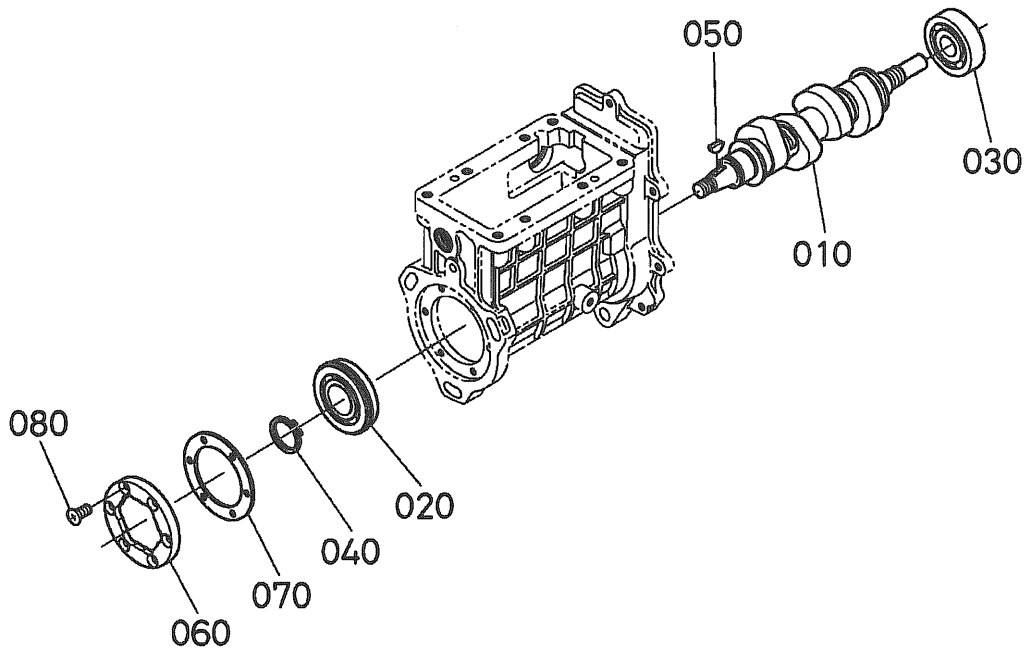
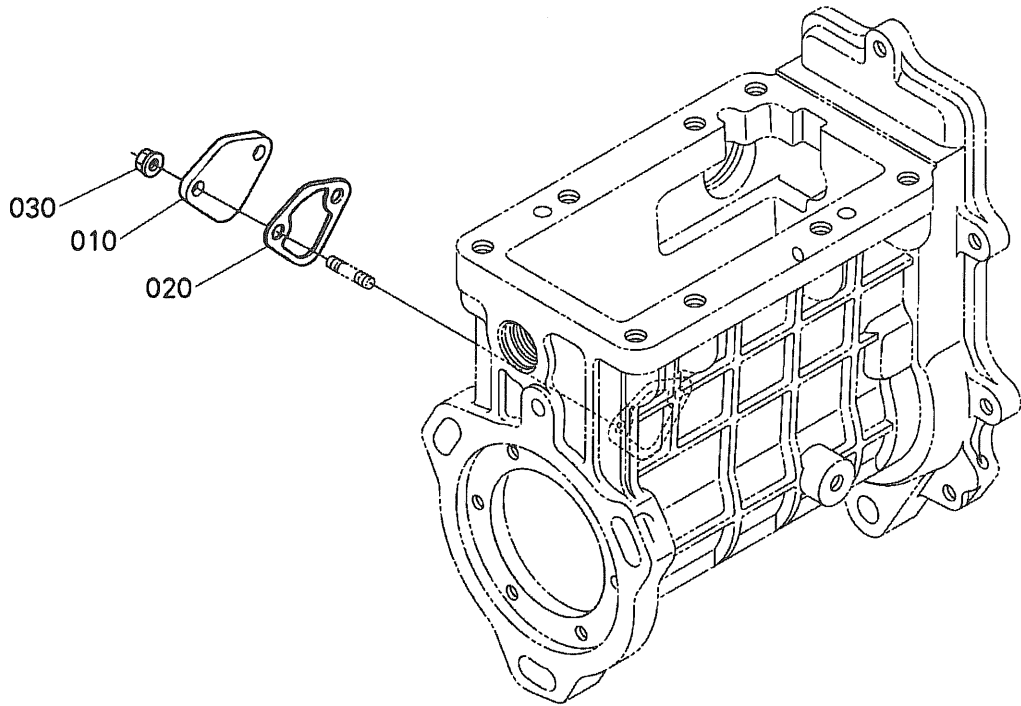


# INJECTION PUMP HOUSING AND INJECTION PUMP

Ref. No.	Part No.	Description	Quantity V3800DI-T
10	K1J55050800	ASSY_HOUSING,I/P	1
20	K1624591540	STUD	2
30	K1547191530	STUD	3
40	K0501200609	PIN,STRAIGHT	2
50	K1C01055140	PLUG,I/P_HOUSING	1
60	K0501200512	PIN,STRAIGHT	2

Ref. No.	Part No.	Description	Quantity V3800DI-T
10	K1J55051010	ASSY_PUMP,INJECTION	1
20	K1C01051320	SCREW,HOLLOW	1
30	K1540196650	GASKET	2
40	K0175450825	BOLT,FLANGE	5
50	K0275150080	NUT,FLANGE	3
60	K1540195690	JOINT,EYE	1
70	K1C02551350	SCREW,AIR_BREEDER	1

# FUEL PUMP COVER AND FUEL CAMSHAFT



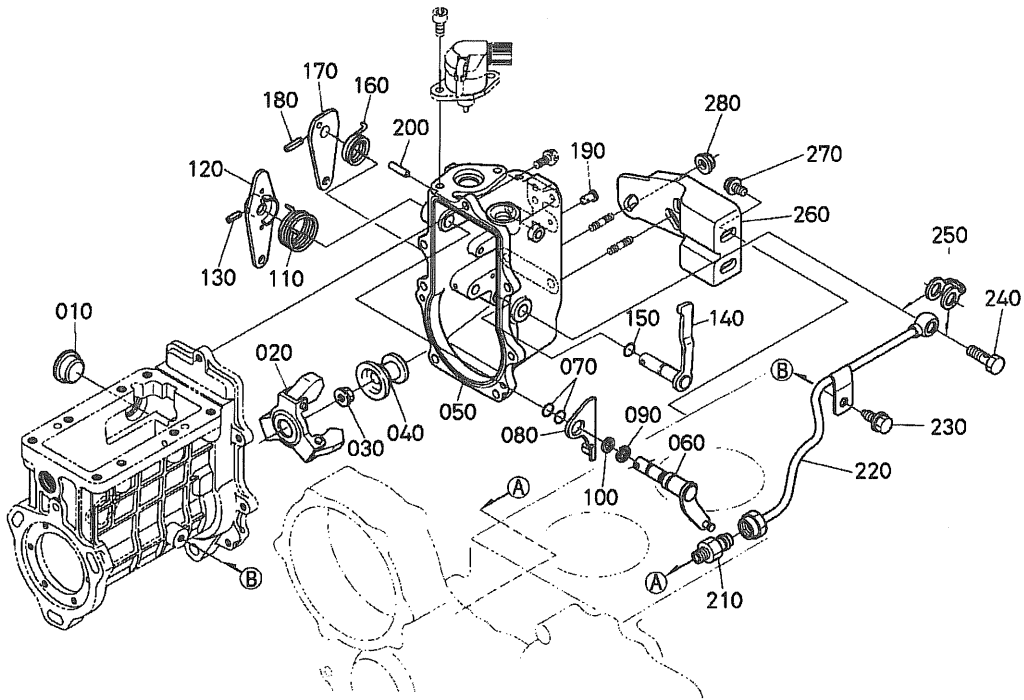
# FUEL PUMP COVER AND FUEL CAMSHAFT

<b>Ref. No.</b>	<b>Part No.</b>	<b>Description</b>	<b>Quantity V3800DI-T</b>
10	K1585252850	COVER	1
20	K1626452140	GASKET,FUEL_PUMP	1
30	K0275150060	NUT,FLANGE	2

<b>Ref. No.</b>	<b>Part No.</b>	<b>Description</b>	<b>Quantity V3800DI-T</b>
10	K1J55016170	CAMSHAFT,FUEL	1
20	K1J55016570	BEARING,BALL	1
30	K1J55016580	BEARING,BALL	1
40	K0461200300	CIR_CLIP,EXTERNAL	1
50	K1233195230	KEY,WOODRUFF	1
60	K1J55016320	STOPPER,FUEL_C/SHAFT	1
70	K1J55016340	SPACER	1
80	K0301650620	SCREW,CSKHD	6

# GOVERNOR

---

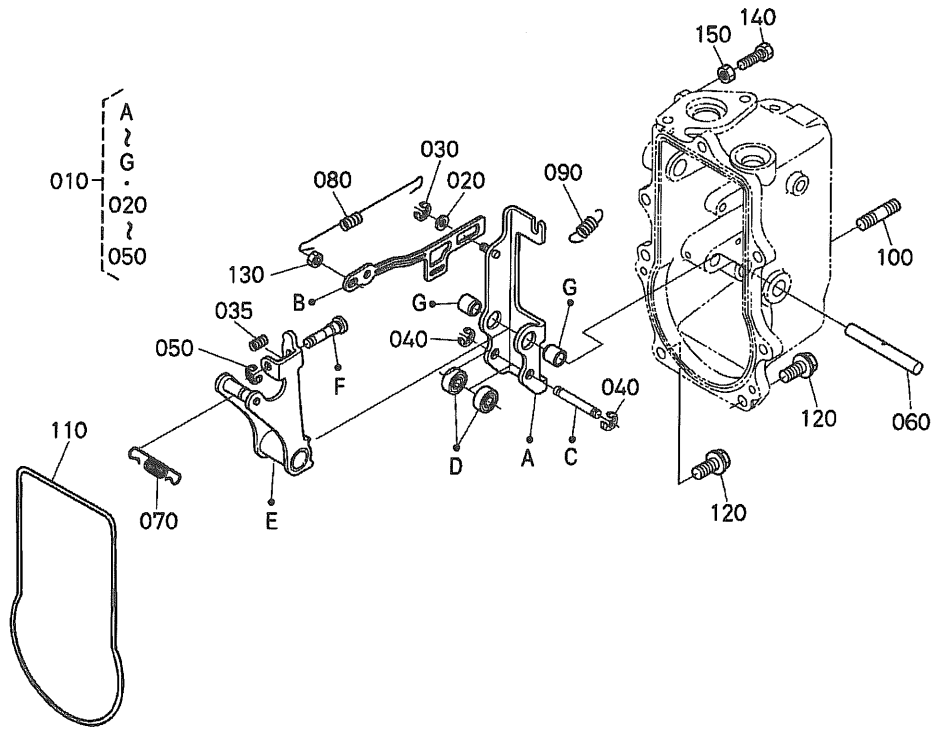




# GOVERNOR

Ref. No.	Part No.	Description	Quantity V3800DI-T
10	K1C01056750	COVER,GOVERNOR_ROD	1
20	K1G52755050	ASSY_WEIGHT,GOVERNOR	1
30	K0277150120	NUT,FLANGE	1
40	K1C02055453	SLEEVE,GOVERNOR	1
50	K1C01155104	HOUSING,GOVERNOR	1
60	K1C01056023	ASSY_LEVER(GOVERNOR)	1
70	K0481410070	O_RING	2
80	K1C01060153	LEVER,STOP	1
90	K0461350120	CIR_CLIP,EXTERNAL	1
100	K1522114430	WASHER,RARM.SHAFT	1
110	K1C01057512	SPRING	1
120	K1K01257150	LEVER,SPEED_CONTROL	1
130	K0541100416	PIN,SPRING	1
140	K1C01057700	ASSY_LEVER,ENG.STOP	1
150	K0481410070	O_RING	1
160	K1547157920	SPRING,RETURN	1
170	K1C01057620	LEVER,ENGINE_STOP	1
180	K0541100416	PIN,SPRING	1
190	K1522156280	PIN,START_SPRING	1
200	K1C01094510	PIN,STRAIGHT	1
210	K1570733360	JOINT,UNION	1
220	K1J55033320	ASSY_PIPE,I.P_OIL	1
230	K1390191020	BOLT	1
240	K1737195800	BOLT,EYE_JOINT	1
250	K1C02096650	GASKET	1
260	K1C02051622	BRACKET,INJ.PUMP	1
270	K0175550814	BOLT,FLANGE	2
280	K0275150080	NUT,FLANGE	2

# FORK LEVER (GOVERNOR)

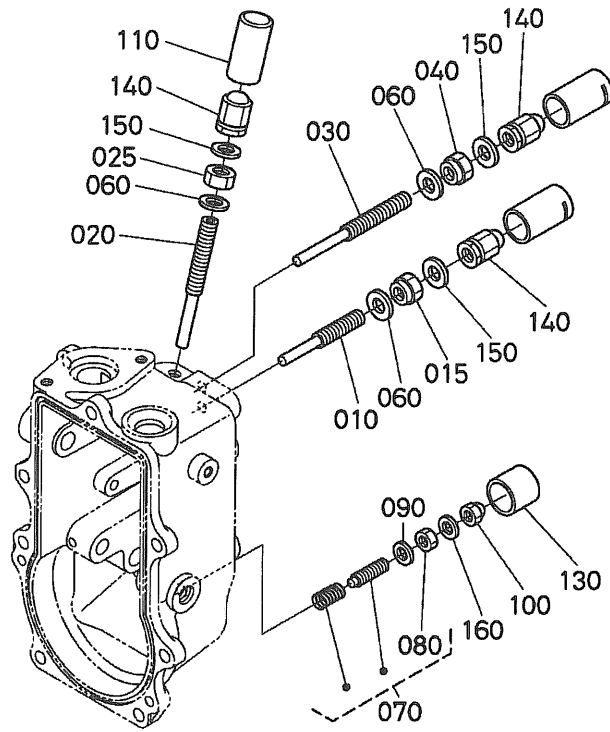


## FORK LEVER (GOVERNOR)

Ref. No.	Part No.	Description	Quantity V3800DI-T
10	K1J55056030	ASSY_LEVER,FORK	1
20	K0401360050	WASHER,PLAIN	1
30	K0461350040	CIR_CLIP,EXTERNAL	1
35	K1G51454230	SPRING	1
40	K0461350050	CIR_CLIP,EXTERNAL	2
50	K0461350030	CIR_CLIP,EXTERNAL	1
60	K1G51756150	SHAFT,FORK_LEVER	1
70	K1G51456412	SPRING,GOVERNOR	1
80	K1G51456480	SPRING,START	1
90	K1C01057920	SPRING,STOP_LEVER	1
100	K0151850820	STUD	2
110	K1C01055770	GASKET,GOV.HOUSING	1
120	K0175450618	BOLT,FLANGE	7
130	K1C01092020	NUT,LOCK	1
140	K1510857280	STOPPER	1
150	K0205650060	NUT	1

# RESTRICTION ADJUSTING BOLT

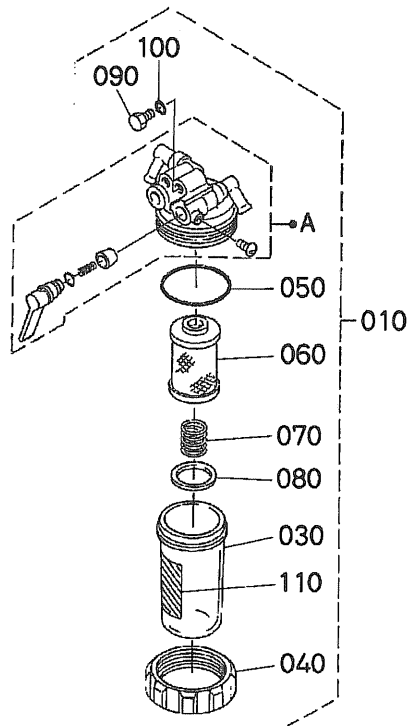
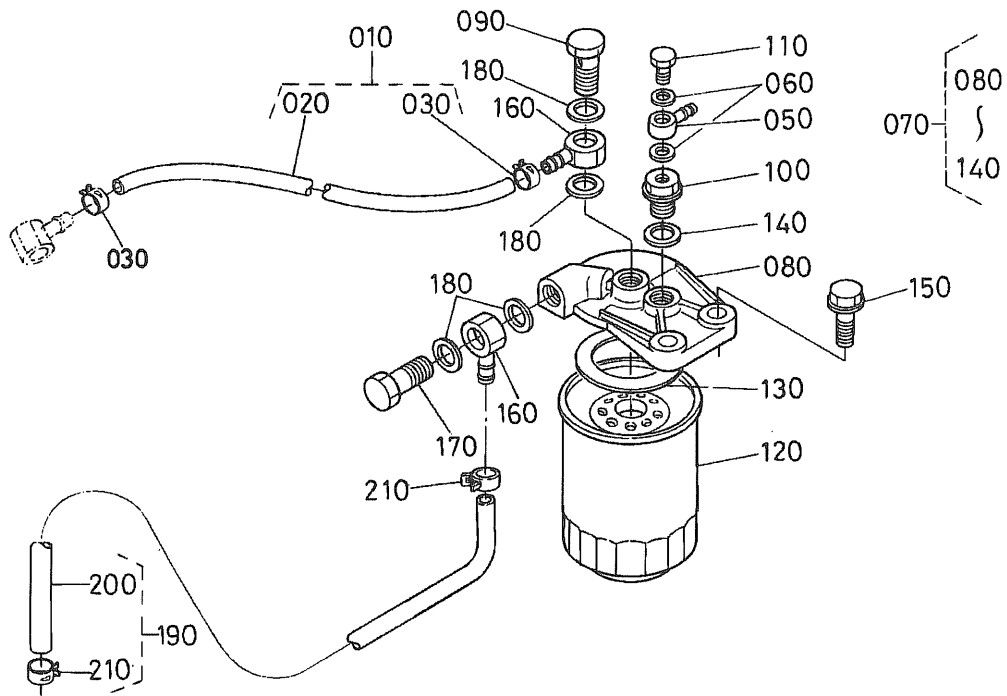
---



# RESTRICTION ADJUSTING BOLT

Ref. No.	Part No.	Description	Quantity V3800DI-T
10	K1C01054153	BOLT,ADJUSTING	1
15	K1G03154210	NUT,LOCK	1
20	K1C01054120	BOLT,ADJUSTING	1
25	K1584192020	NUT	1
30	K1C01054120	BOLT,ADJUSTING	1
40	K1G03154210	NUT,LOCK	1
60	K1560196650	GASKET	3
70	K1G51454100	ASSY_BOLT,ADJUSTMENT	1
80	K1526192020	NUT	1
90	K1502133660	GASKET	1
100	K1584154220	NUT	1
110	K1622154420	CAP	1
130	K1584154270	CAP	1
140	K1585292330	NUT	3
150	K1560196650	GASKET	3
160	K1502133660	GASKET	1

# FUEL FILTER AND SEPARATOR



## FUEL FILTER AND SEPARATOR

Ref. No.	Part No.	Description	Quantity V3800DI-T
10	K1C01042012	ASSY_TUBE,FUEL	1
20	K0966170360	TUBE,FUEL(f7.3Xf12.5X360L)	1
30	K1491142750	CLIP,PIPE	2
50	K1411742560	JOINT,PIPE	1
60	K1502133660	GASKET	2
70	K1C01043010	ASSY_FILTER,FUEL	1
80	K1654143210	COVER	1
90	K1654195790	BOLT,JOINT	1
100	K1655195800	CONNECTOR	1
110	K1654195810	CONNECTOR	1
120	195567	ELEMENT,FUEL_FILTER	1
130	K1654143330	GASKET	1
140	K1710533680	GASKET	1
150	K0177451030	BOLT,FLANGE	2
160	K1540195690	JOINT,EYE	2
170	K1654195790	BOLT,JOINT	1
180	K1710533680	GASKET	4
190	K1C01042022	ASSY_TUBE,FUEL	1
200	K0966170380	TUBE,FUEL(f7.3Xf12.5X380L)	1
210	K1491142750	CLIP,PIPE	2

Ref. No.	Part No.	Description	Quantity V3800DI-T
10	KRB10151260	ASSY_FILTER	1
30	KRB10151270	CUP,FILTER	1
40	K1627143590	RING,RETAINING	1
50	K1627143570	O_RING,FILTER_CUP	1
60	KRB10151280	ELEMENT	1
70	K1583143930	SPRING	1
80	K1583143250	FLOAT	1
90	K1523143283	SCREW,AIR_BLEEDER	1
100	K0481700060	O_RING	1
110	K1583187462	LABEL	1



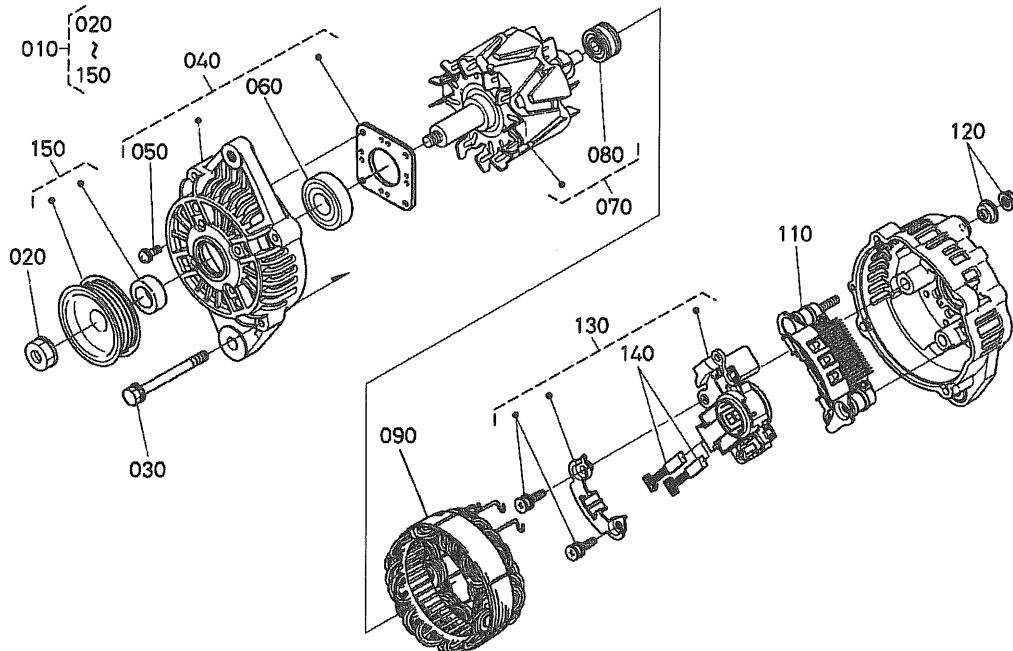
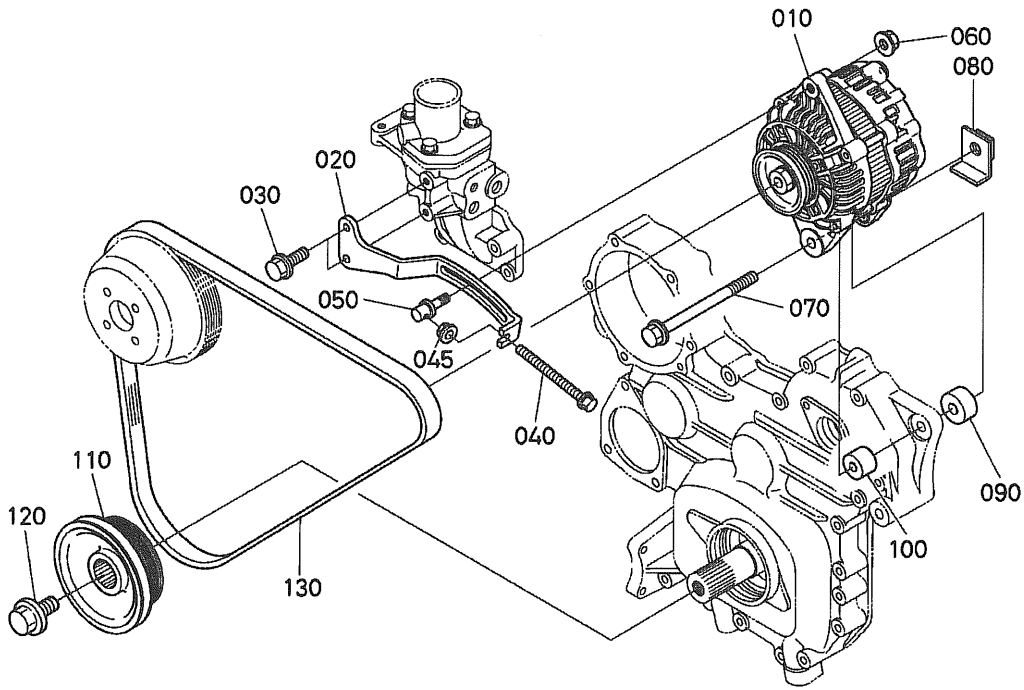


## NOZZLE HOLDER AND GLOW PLUG, OVERFLOW PIPE

Ref. No.	Part No.	Description	Quantity V3800DI-T
10	K1J55053000	ASSY_HOLDER,NOZZLE	4
30	K0481400150	O_RING	4
40	K0481405110	O_RING	4
50	K1G79653620	GASKET	4
60	K1C02053450	CLAMP,INJ.NOZZLE	12
70	K0275150080	NUT,FLANGE	4
80	K1J55053710	PIPE,INJECTION	1
90	K1J55053720	PIPE,INJECTION	1
100	K1J55053730	PIPE,INJECTION	1
110	K1J55053740	PIPE,INJECTION	1
120	K1584153850	CLAMP,PIPE	3
130	K1584153860	CLAMP,PIPE	3
140	K0302450520	SCREW,WITH_WASHER	3
150	K1G52753800	STAY,INJECTION_PIPE	1

Ref. No.	Part No.	Description	Quantity V3800DI-T
10	K1C02042500	ASSY_PIPE,OVER_FLOW	1
20	K1C02095810	BOLT,EYE_JOINT	5
30	K1C02096730	GASKET	5
40	K1411742560	JOINT,PIPE	1
50	K1547195790	BOLT,EYE_JOINT	1
60	K1G77233660	GASKET	1
70	K1G52742110	TUBE,FUEL	1
80	K1G52742120	TUBE,FUEL	2
90	K1G57442140	TUBE,FUEL	2
100	K1G56542110	TUBE,FUEL	1
110	K1C01042460	VALVE,FUEL_CHECK	2
120	K1G06542360	JOINT,TPIPE	2
130	K1497142750	CLIP,PIPE	12
150	K1G37742110	TUBE,FUEL	1
160	K1749042360	JOINT,PIPE	1
170	K1497142750	CLIP,PIPE	2

# ALTERNATOR AND PULLEY, ALTERNATOR (COMPONENT PARTS)



## ALTERNATOR AND PULLEY, ALTERNATOR (COMPONENT PARTS)

Ref. No.	Part No.	Description	Quantity V3800DI-T
10	K1G37764010	ASSY_ALTERNATOR(12V80A)	1
20	K1G37764420	STAY,DYNAMO	1
30	K0175450825	BOLT,FLANGE	2
40	K1G37791010	BOLT,FLANGE	1
45	K0275150060	NUT,FLANGE	1
50	K1G37764410	SHAFT,DYNAMO	1
60	K0275150080	NUT,FLANGE	1
70	K0177451002	BOLT	1
80	K1749064472	METAL_FITTING_DYNAMO	1
90	K1G37764370	COLLAR,DYNAMO	1
100	K1688164370	COLLAR	1
110	K1G37774280	PULLEY,FAN_DRIVE	1
120	K1C01091010	BOLT	1
130	K1G37797010	BELT,FAN(4PK1250)	1

Ref. No.	Part No.	Description	Quantity V3800DI-T
10	K1G37764010	ASSY_ALTERNATOR	1
20	K1C01092010	NUT	1
30	K1C01091050	SET,BOLT	1
40	K1G37764020	ASSY_BRACKET,FRONT	1
50	K1C01093010	SET,BOLT	1
60	K3F26178120	BEARING	1
70	K3F26178130	ASSY_ROTATOR	1
80	K1C01064770	BEARING	1
90	K1G37764080	ASSY_STATOR	1
110	K1G37764850	ASSY_RECTIFIER	1
120	K1K01192030	SET,NUT	1
130	K1G37764600	SET,REGULATOR	1
140	K1C01064310	SET,BRUSH	1
150	K1G37764110	ASSY_PULLEY	1

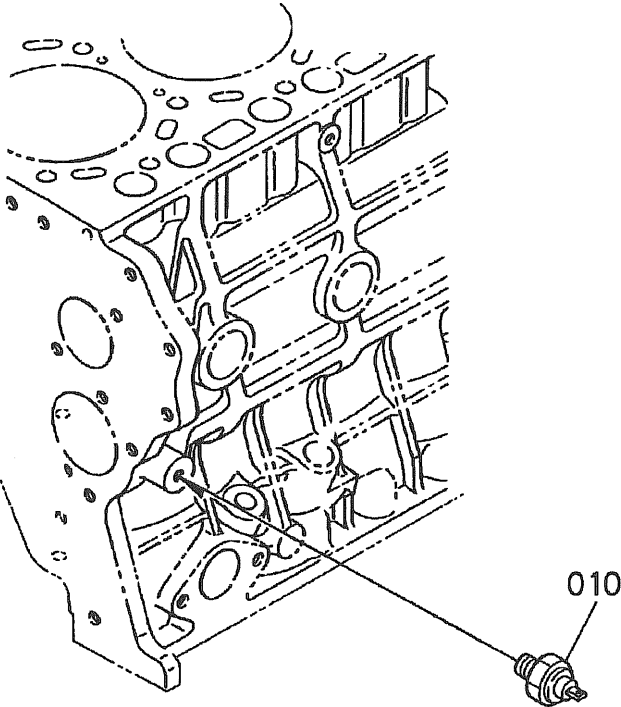
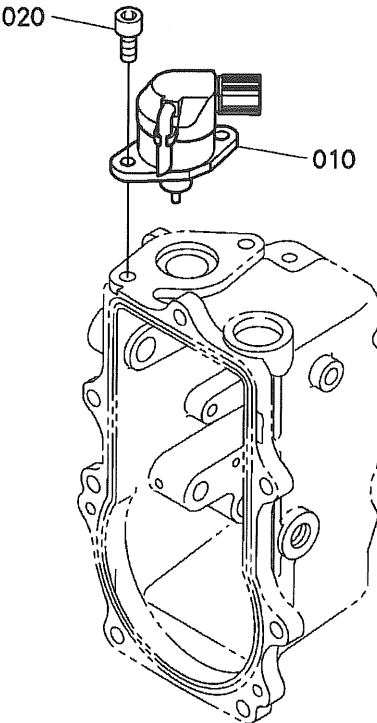


## STARTER AND STARTER (COMPONENT PARTS)

Ref. No.	Part No.	Description	Quantity V3800DI-T
10	K1K01263010	ASSY_STARTER(12V3.0KW)	1
20	K0177451035	BOLT,FLANGE	1
30	K0151761030	STUD	1
40	K0277160100	NUT,FLANGE	1

Ref. No.	Part No.	Description	Quantity V3800DI-T
10	K1K01263010	ASSY_STARTER	1
20	K1K01263030	ASSY_BRACKET,FRONT	1
40	K1K01263040	ASSY_SHAFT,CLUTCH	1
50	K1K01263210	ASSY_SHAFT,GEAR	1
60	K1C01063410	SET,WASHER	1
70	K1C01063260	SET,INTERNAL_GEAR	1
80	K1C01063330	CLUTCH,OVER_RUNNING	1
90	K1C01063270	ASSY_GEAR	4
100	K1K01263050	ASSY_LEVER,SET	1
110	K1K01263280	SET_PINION	1
120	K1C01063170	SET,STOPPER	1
130	K1C01063020	ASSY_SWITCH,MAGNETIC	1
140	K1K01263760	SET,SCREW	1
150	K6C04082690	BALL	1
160	K1C01063520	SET,PACKING	1
170	K1K01263070	ASSY_ARMATURE	1
180	K1C01063250	BEARING	1
190	K1K01263080	ASSY_YOKE	1
200	K1K01263380	ASSY HOLDER,BRUSH	1
210	K1K01263390	BRUSH,SPRING	4
220	K1K01263370	BRUSH	2
230	K1K01263200	ASSY_BRACKET,REAR	1
240	K1K01263320	SET,BOLT	1

# STOP SOLENOID AND OIL SWITCH/THERMOMETER AND PLUG

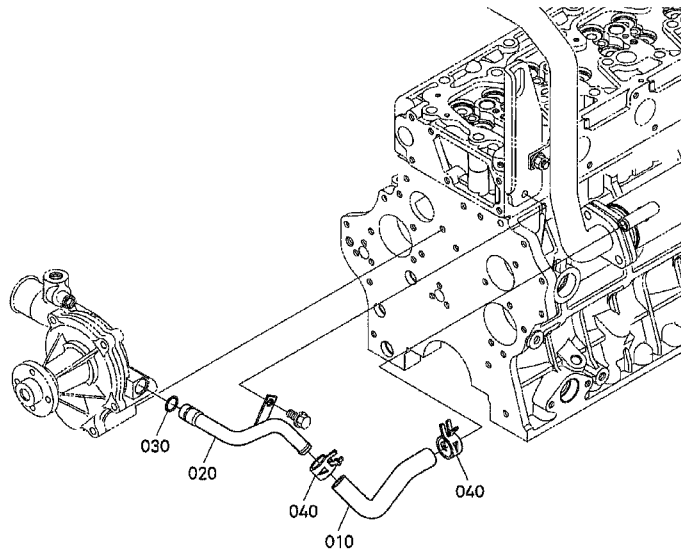
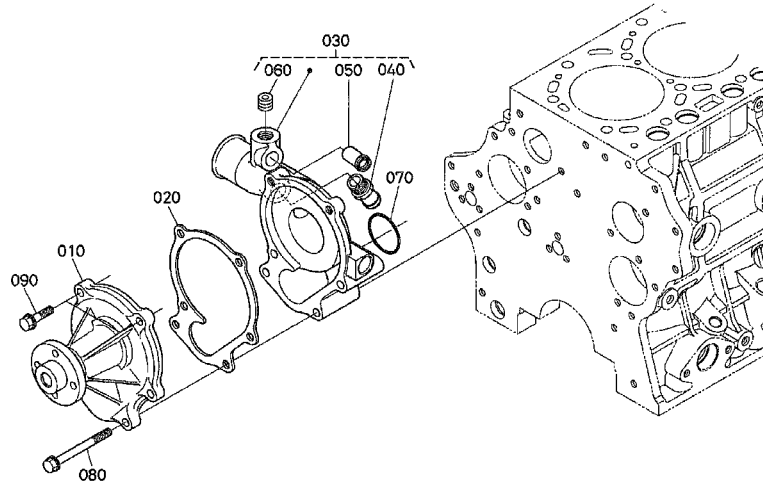
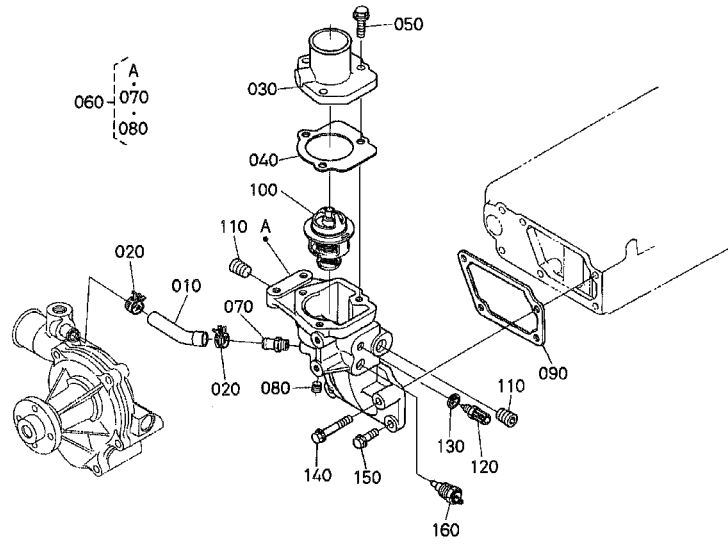


# STOP SOLENOID AND OIL SWITCH/THERMOMETER AND PLUG

<b>Ref. No.</b>	<b>Part No.</b>	<b>Description</b>	<b>Quantity V3800DI-T</b>
10	K1C01060015	SOLENOID,STOP	1
20	K0131110616	BOLT,HEXSOCHD	2

<b>Ref. No.</b>	<b>Part No.</b>	<b>Description</b>	<b>Quantity V3800DI-T</b>
10	K1A02439010	SWITCH,OIL	1

# WATER FLANGE AND THERMOSTAT, WATER PUMP AND PIPE





## WATER FLANGE AND THERMOSTAT, WATER PUMP AND PIPE

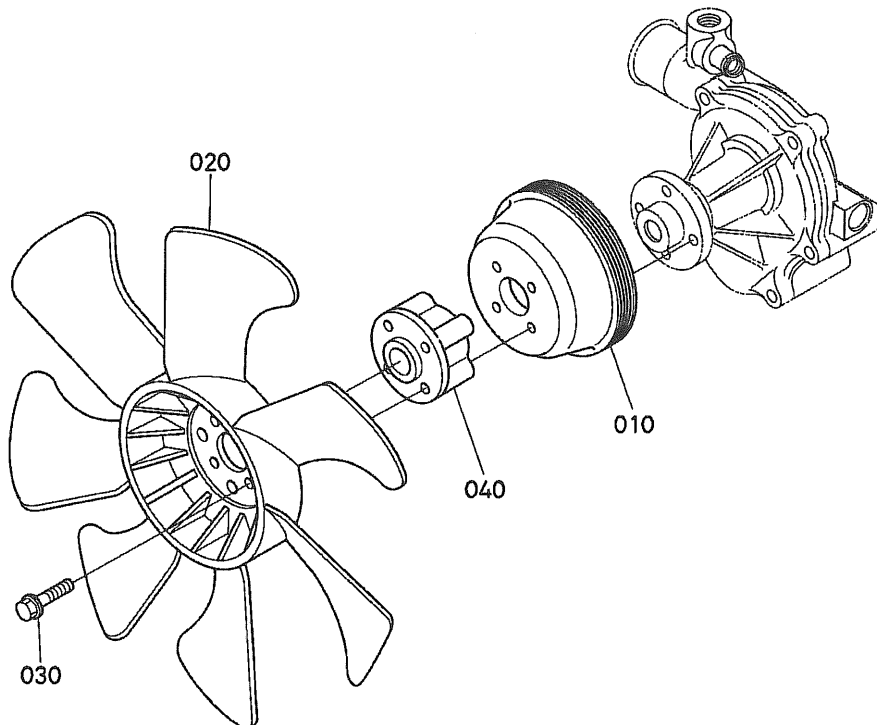
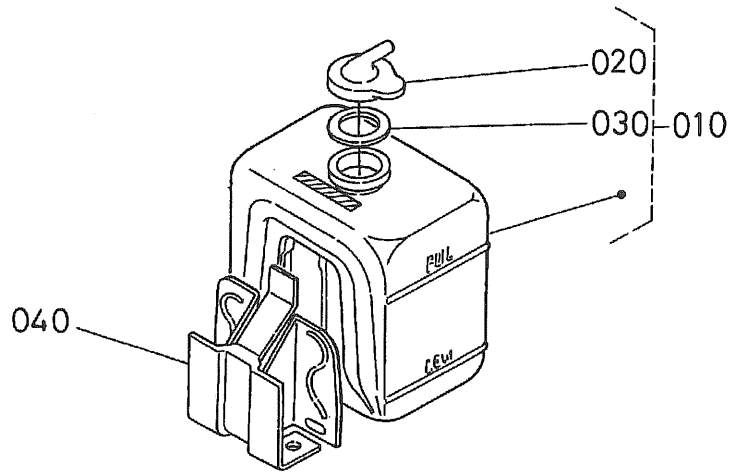
Ref. No.	Part No.	Description	Quantity V3800DI-T
10	K1C01073352	PIPE,WATER_RETURN	1
20	K0931888200	CLAMP,HOSE	2
30	K1C02073260	COVER,THERMOSTAT	1
40	K1C02073272	GASKET	1
50	K0175450825	BOLT,FLANGE	3
60	K1C02072700	COMP.FLANGE,WATER	1
70	K1C01037114	JOINT,WATER_PIPE	1
80	K1624196020	PLUG	1
90	K1C01072820	GASKET,WATER_FLANGE	1
100	K1C01173010	ASSY_THERMOSTAT	1
110	K1624196020	PLUG	2
120	K1566883040	SENSOR,WATER_TEMP.	1
130	K0471701200	WASHER,WITH_RUBBER	1
140	K0175450850	BOLT,FLANGE	1
150	K0175450825	BOLT,FLANGE	3
160	K5160137670	SWITCH,THERMOMETER	1

Ref. No.	Part No.	Description	Quantity V3800DI-T
10	K1C01073032	ASSY_PUMP,WATER	1
20	K1C01073430	GASKET,WATER_PUMP	1
30	K1G57473060	ASSY_SUPPORT_W/P	1
40	K1C01037114	JOINT,WATER_PIPE	1
50	K1624105550	JOINT,BREATHING_PIPE	1
60	K1624196020	PLUG	1
70	K0481400420	O_RING	1
80	K0175450880	BOLT,FLANGE	4
90	K0175450830	BOLT,FLANGE	2

Ref. No.	Part No.	Description	Quantity V3800DI-T
10	K1J57471460	PIPE,WATER	1
20	K1J57471470	PIPE,WATER	1
30	K0481705150	O_RING	1
40	K0931888200	CLAMP,HOSE	2

# RESERVE TANK AND FAN

---



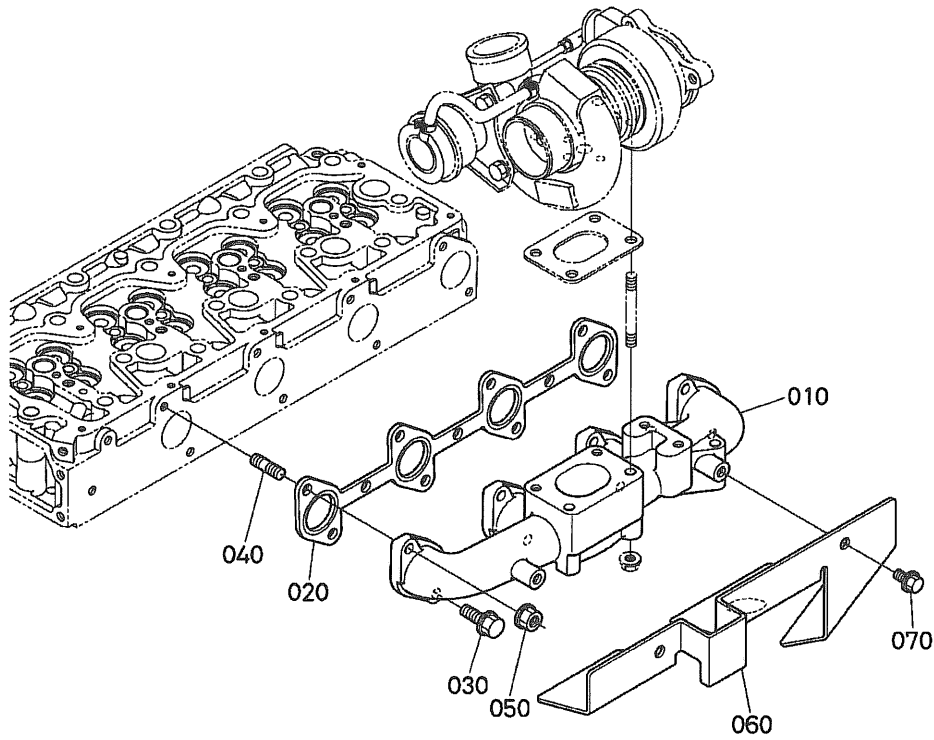
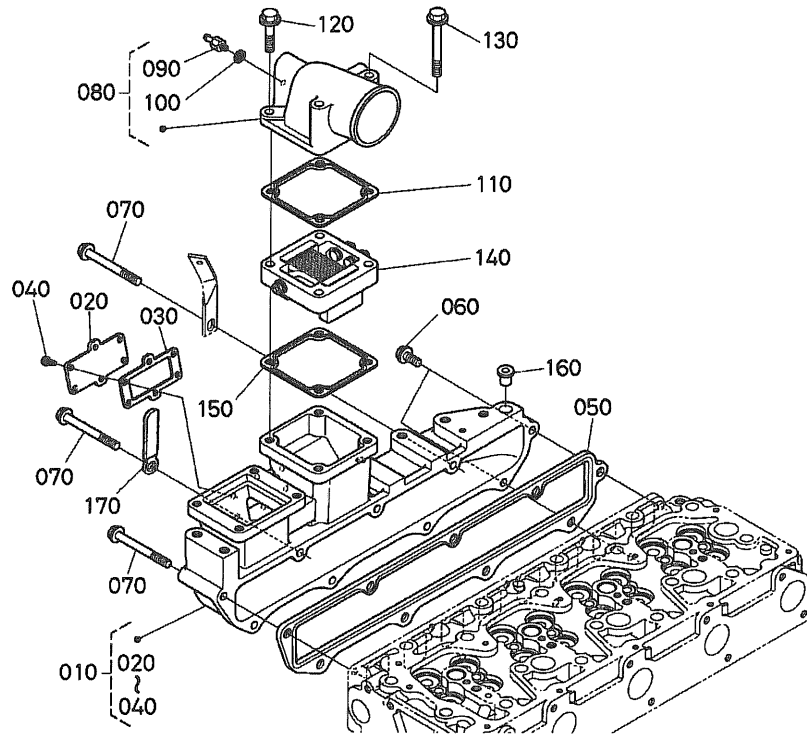
# RESERVE TANK AND FAN

Ref. No.	Part No.	Description	Quantity V3800DI-T
10	K1552772400	ASSY_TANK,RESERVE	1
20	K1527272420	CAP	1
30	K1553172432	GASKET	1
40	K1552772460	STAY,RESERVE_TANK	1

Ref. No.	Part No.	Description	Quantity V3800DI-T
10	K1G37774250	PULLEY,FAN	1
20	K1G37774110	FAN	1
30	K0175450880	BOLT,FLANGE	4
40	K1G37774150	COLLAR,FAN	1

This Page Updated 15 July 08

# INLET AND EXHAUST MANIFOLDS

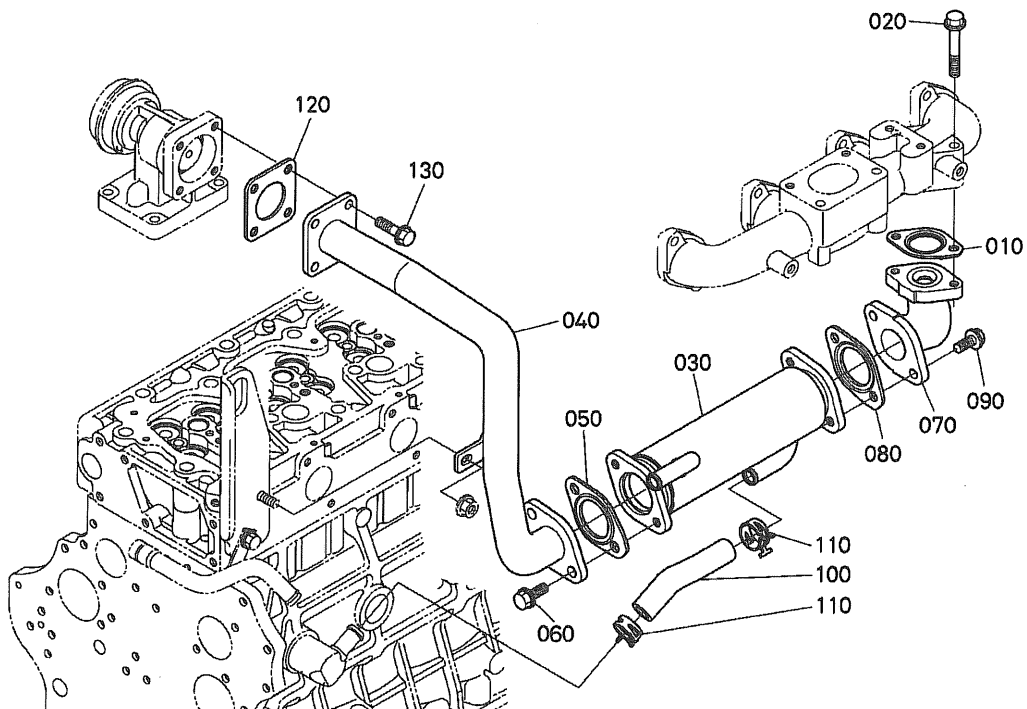
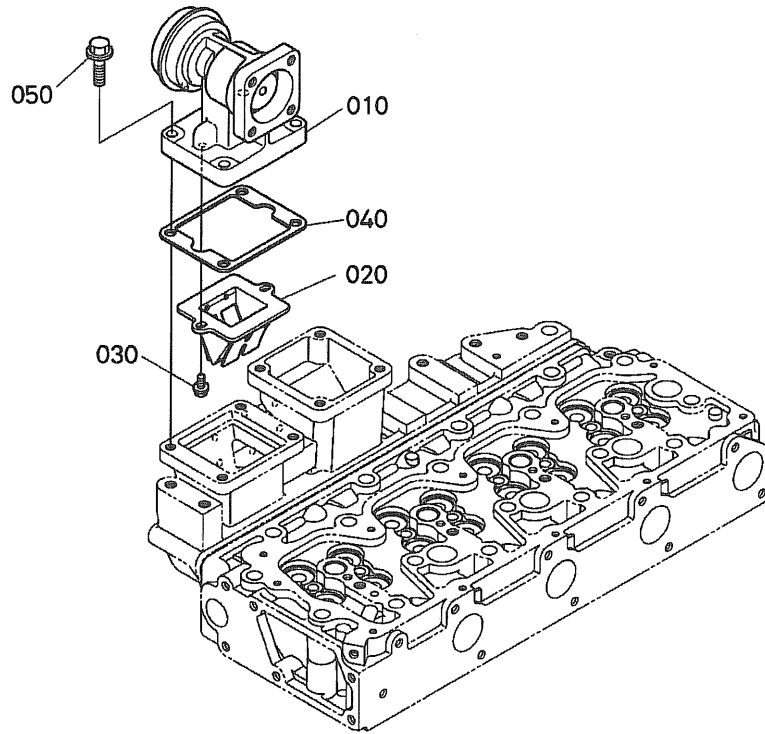


## INLET AND EXHAUST MANIFOLDS

Ref. No.	Part No.	Description	Quantity V3800DI-T
10	K1J57411773	ASSY_MANIFOLD,INLET	1
20	K1J57411980	COVER,INLET	1
30	K1J57411840	GASKET,INLET	1
40	K0305750508	SCREW,CRRECBHDH	6
50	K1C02011820	GASKET,INMANIFOLD	1
60	K0175450820	BOLT,FLANGE	6
70	K0175450865	BOLT,FLANGE	3
80	K1J55011812	ASSY_FLANGE,A/CLANE.	1
90	K1584151360	SCREW,AIR_BLEEDER	1
100	K1560196650	GASKET	1
110	K1C05011652	GASKET,A/C_FLANGE	1
120	K0175450845	BOLT,FLANGE	2
130	K0175450890	BOLT,FLANGE	2
140	K1G57465450	HEATER,INTAKE_AIR	1
150	K1C05011652	GASKET,A/C_FLANGE	1
160	K3122014290	PLUG	2
170	K1223467580	CLAMP,CORD	1

Ref. No.	Part No.	Description	Quantity V3800DI-T
10	K1J55012310	MANIFOLD,EXHAUST	1
20	K1C01012352	GASKET,EXMANIFOLD	1
30	K0175450820	BOLT,FLANGE	4
40	K1522191530	STUD	4
50	K0275150080	NUT,FLANGE	4
60	K1J57417342	COVER,EX.MANIFOLD	1
70	K0175450810	BOLT,FLANGE	2

# EGR VALVE AND EGR COOLER

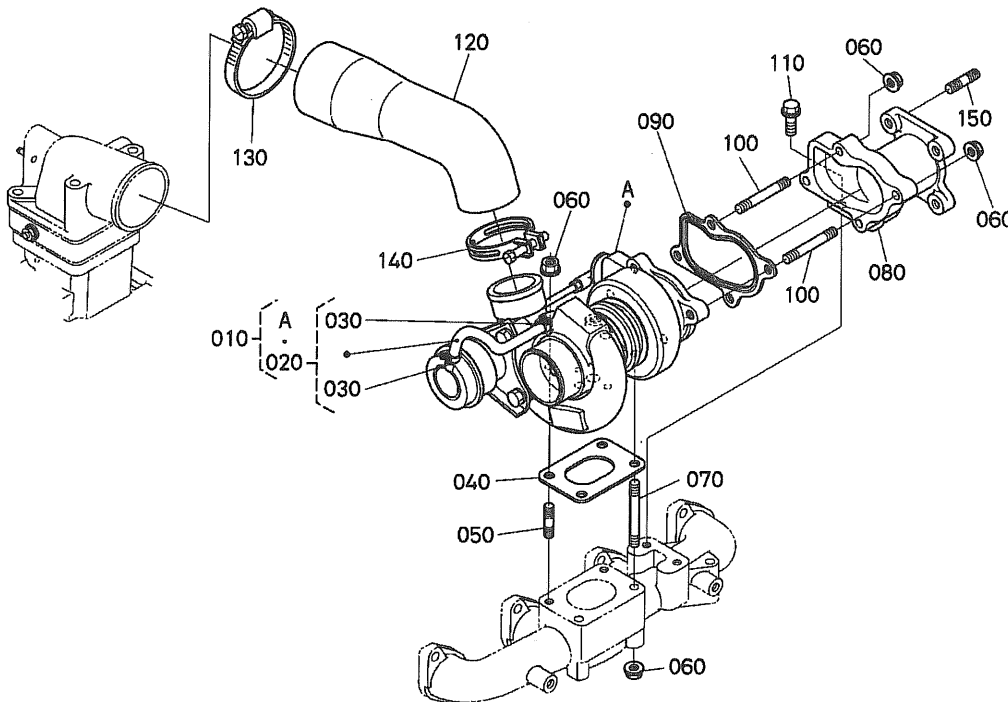
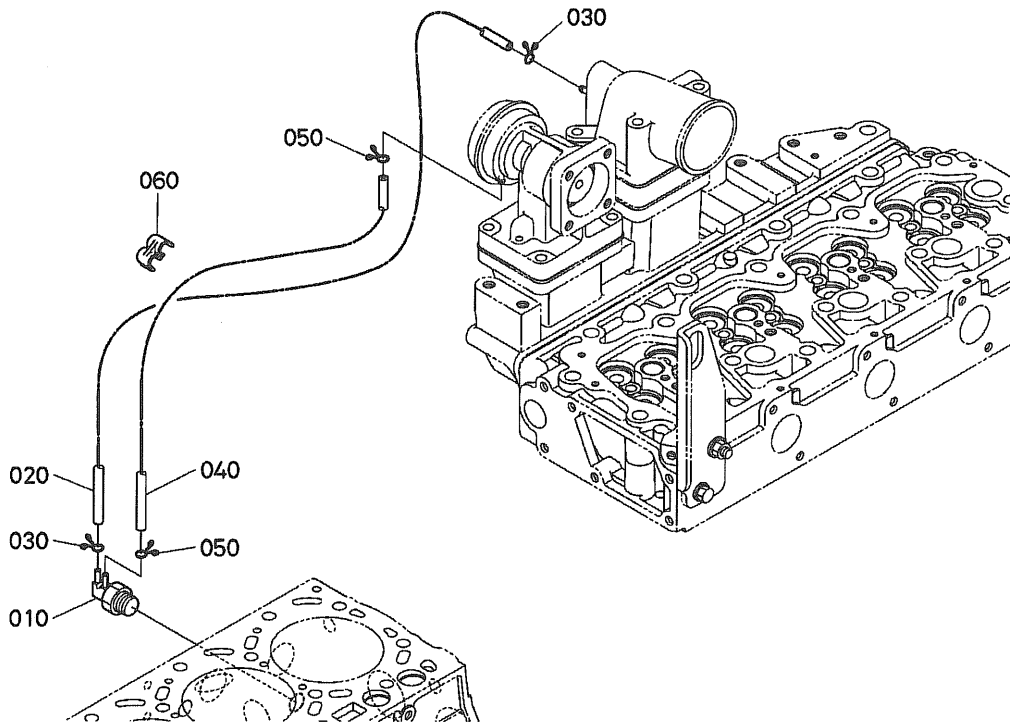


## EGR VALVE AND EGR COOLER

Ref. No.	Part No.	Description	Quantity V3800DI-T
10	K1J55017302	ASSY_VALVE,EGR	1
20	K1J57413710	VALVE,LEAD	1
30	K0175450612	BOLT,FLANGE	2
40	K1J57417380	GASKET,INLET	1
50	K0175450830	BOLT,FLANGE	4

Ref. No.	Part No.	Description	Quantity V3800DI-T
10	K1J57417440	GASKET,EGR_FLANGE	1
20	K1C01091030	BOLT,FLANGE	2
30	K1J57471410	COMP.COOLER,EGR	1
40	K1J55017320	COMP.PIPE,EGR	1
50	K1J57417430	GASKET,EGR_COOLER	1
60	K0175450820	BOLT,FLANGE	2
70	K1J55117280	COMP.FLANGE,EGR	1
80	K1J57417430	GASKET,EGR_COOLER	1
90	K0175450820	BOLT,FLANGE	2
100	K1J55071480	PIPE,WATER	1
110	K0931888200	CLAMP,HOSE	2
120	K1J55017410	GASKET,EGR_PIPE	1
130	K0175450820	BOLT,FLANGE	4

# BOOST AIR PIPE AND TURBOCHARGER



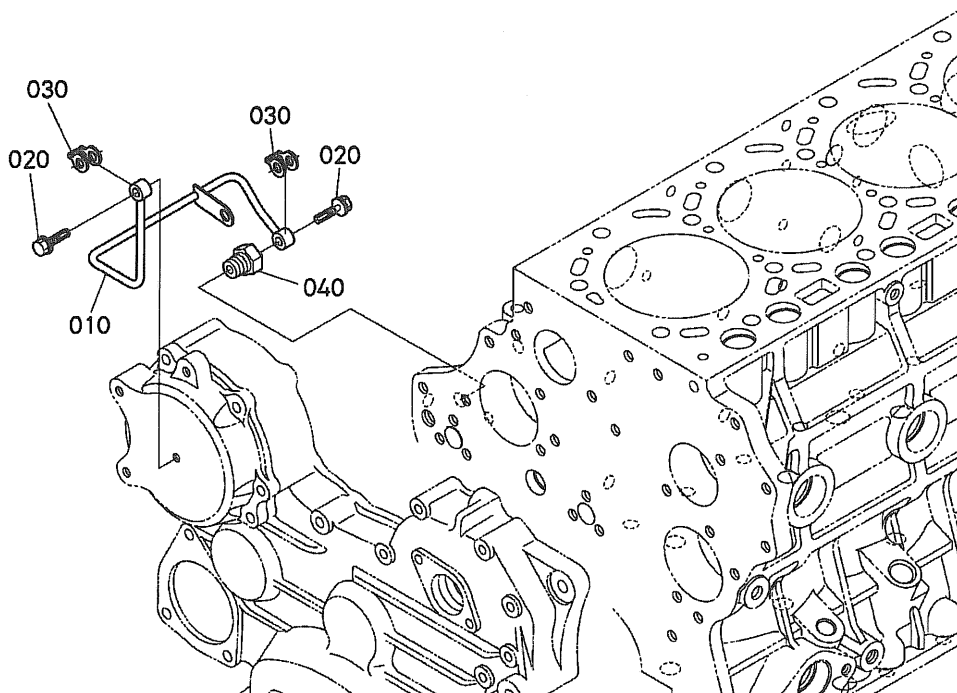
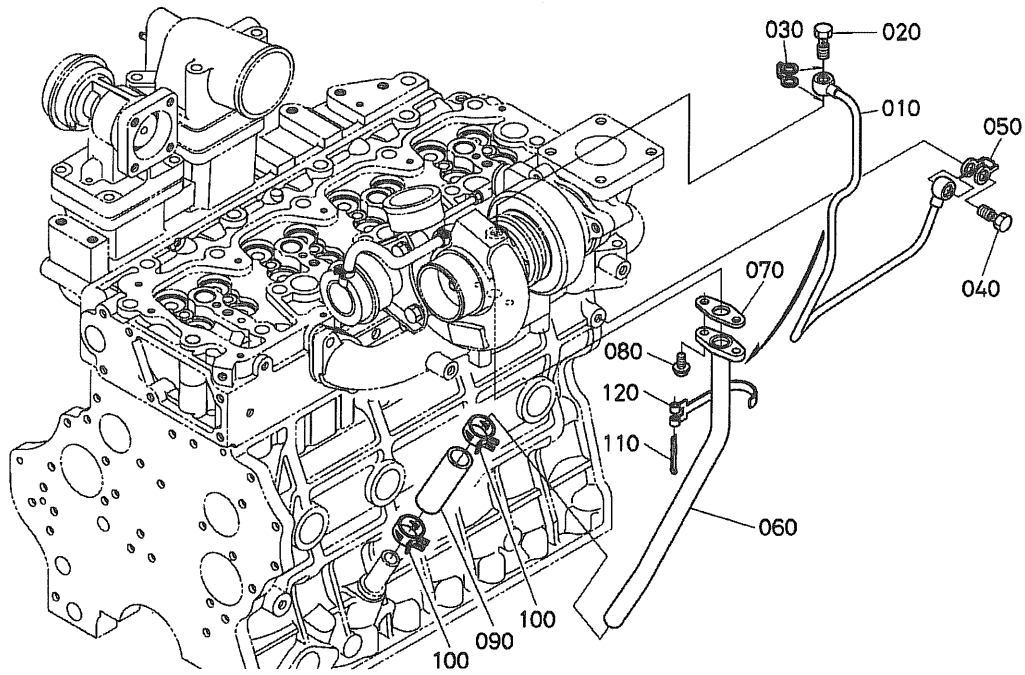


## BOOST AIR PIPE AND TURBOCHARGER

Ref. No.	Part No.	Description	Quantity V3800DI-T
10	K1J86073090	VALVE,THERMO.	1
20	K1J55073880	TUBU,BOOST	1
30	K1497142750	CLIP,PIPE	2
40	K1J55073890	TUBU,BOOST	1
50	K1497142750	CLIP,PIPE	2
60	K1C04053870	CLAMP,PIPE	2

Ref. No.	Part No.	Description	Quantity V3800DI-T
10	K1G54417010	ASSY_TURBO_CHARGER	1
20	K1G54417200	ASSY_HOSE	1
30	K1737117220	CLAMP,HOSE	2
40	K1C04017100	GASKET	1
50	K1J53091500	STUD	2
60	K0275650080	NUT,UBS	8
70	K1J53091530	STUD	2
80	K1E15812322	FLANGE,MUFFLER	1
90	K1G54417110	GASKET	1
100	K1J53091510	STUD	4
110	K1J53091010	BOLT,FLANGE	2
120	K1J55011630	HOSE,INLET	1
130	K3546674460	BAND,PIPE	1
140	K1540111720	BAND,PIPE	1
150	K1J53091540	STUD	4

# OIL PIPE (TURBOCHARGER) AND OIL PIPE (MECHANICAL TIMER)

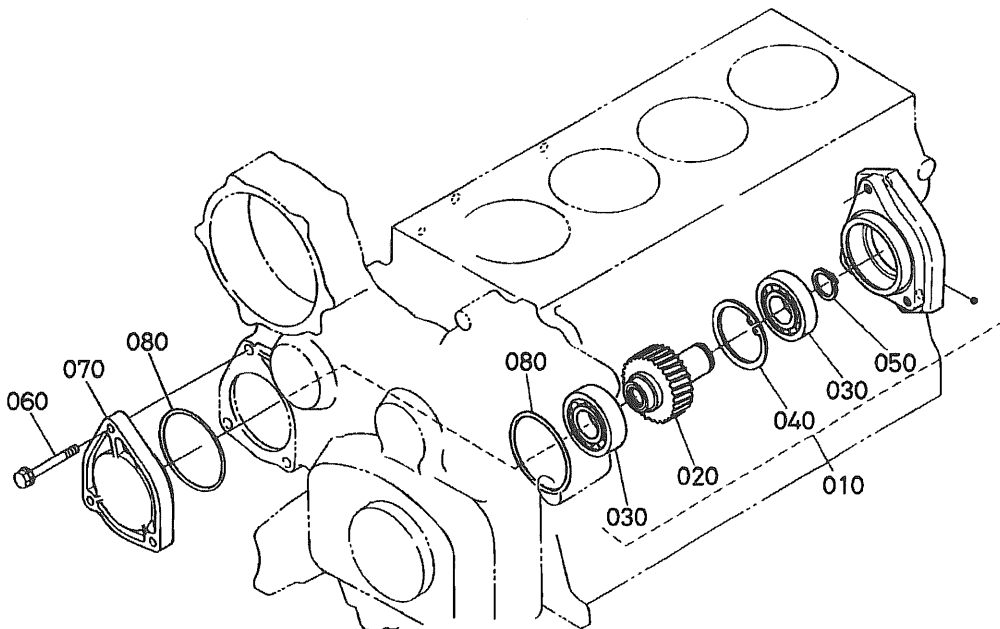
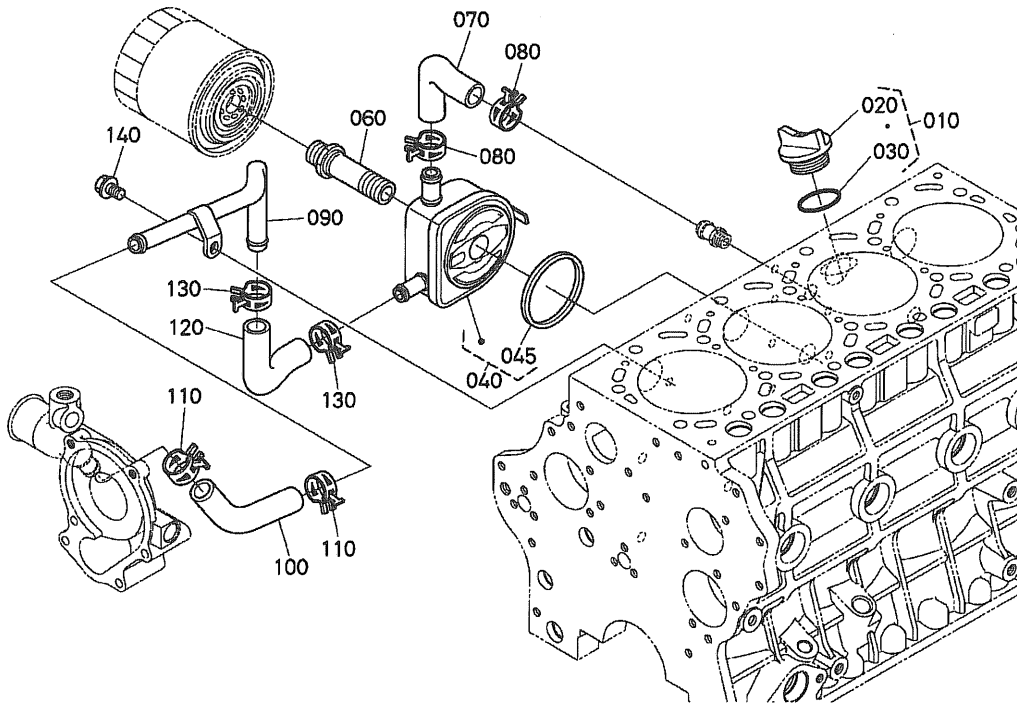


## OIL PIPE (TURBOCHARGER) AND OIL PIPE (MECHANICAL TIMER)

<b>Ref. No.</b>	<b>Part No.</b>	<b>Description</b>	<b>Quantity V3800DI-T</b>
10	K1J57433040	COMP.PIPE,OIL	1
20	K1737195800	BOLT,EYE_JOINT	1
30	K1C02096650	GASKET	1
40	K1547195790	BOLT,EYE_JOINT	1
50	K1G55796650	GASKET	1
60	K1J57433060	COMP.PIPE,OIL	1
70	K1C04033670	GASKET	1
80	K0175450612	BOLT,FLANGE	2
90	K1547133240	PIPE,OIL	1
100	K0931888230	CLAMP,HOSE	2
110	K3343082760	PIN,BAND	1
120	K1A02433520	CLAMP,PIPE	1

<b>Ref. No.</b>	<b>Part No.</b>	<b>Description</b>	<b>Quantity V3800DI-T</b>
10	K1G59633313	COMP_PIPE	1
20	K1C02095810	BOLT,EYE_JOINT	2
30	K1C02096730	GASKET	2
40	K1G59633280	JOINT,PIPE	1

# OIL COOLER AND HYDRAULIC PUMP



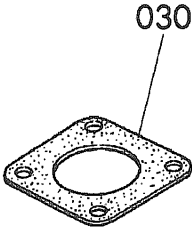
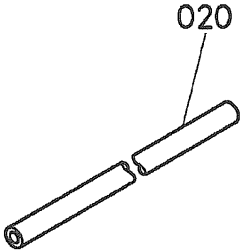
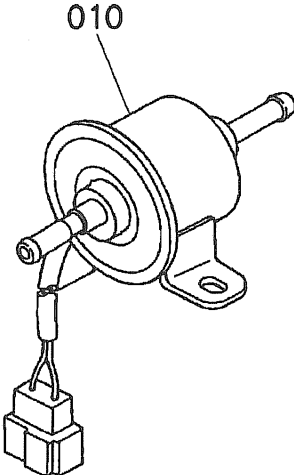
## OIL COOLER AND HYDRAULIC PUMP

Ref. No.	Part No.	Description	Quantity V3800DI-T
10	K1C01033080	ASSY_PLUG,O/FILLER	1
20	KE915133140	PLUG,OIL_FILLER	1
30	K0481750300	O_RING	1
40	K1C01037010	ASSY_COOLER,OIL	1
45	K1548437070	GASKET,OIL_COOLER	1
60	K1C01032292	JOINT	1
70	K1C01037150	PIPE,OIL_COOLER	1
80	K0931888200	CLAMP,HOSE	2
90	K1C01037160	PIPE,OIL_COLLER	1
100	K1C01037172	PIPE,OIL_COLLER	1
110	K0931888200	CLAMP,HOSE	2
120	K1C01037182	PIPE,OIL_COLLER	1
130	K0931888200	CLAMP,HOSE	2
140	K0175450814	BOLT,FLANGE	1

Ref. No.	Part No.	Description	Quantity V3800DI-T
10	K1G37283060	COMP.BASE_HYD.PUMP	1
20	K1G37283190	GEAR,HYD.PUMP_DRIVE	1
30	K0810306206	BEARING,BALL	2
40	K0461100620	CIR_CLIP,INTERNAL	1
50	K0461200300	CIR_CLIP,EXTERNAL	1
60	K0175450875	BOLT,FLANGE	3
70	K1K01283220	COVER,HYDRAULIC_PUMP	1
80	K1C01096960	O_RING	2

**ACCESSORIES AND SERVICE PARTS**

---



## ACCESSORIES AND SERVICE PARTS

<b>Ref. No.</b>	<b>Part No.</b>	<b>Description</b>	<b>Quantity V3800DI-T</b>
10	K1G93852030	ASSY_PUMP,FUEL	1
20	K0966170650	TUBE,FUEL(f7.3Xf12.5X650L)	1
30	K1925812230	GASKET,MUFFLER_NA	1
10	K1G52189117	OPERATOR'S_MANUAL (NOT SHOWN)	1

---

***SECTION NOTES***



Part No.	Page No.	Ref. No.	Part No.	Page No.	Ref. No.	Part No.	Page No.	Ref. No.	Part No.	Page No.	Ref. No.
195567	28	120	K0275150080	22	280	K0966170360	28	20	K1560196650	26	150
195569	10	10	K0275150080	30	70	K0966170380	28	200	K1560196650	42	100
K0131110610	14	180	K0275150080	32	60	K0966170650	52	20	K1566883040	38	120
K0131110616	36	20	K0275150080	42	50	K1223467580	42	170	K1570733360	22	210
K0151350875	4	85	K0275650080	46	60	K1233195230	20	50	K1570733750	2	20
K0151761030	34	30	K0277150120	22	30	K1390191020	22	230	K1583143250	28	80
K0151850820	24	100	K0277160100	34	40	K1411742560	28	50	K1583143930	28	70
K0175450612	44	30	K0301650616	8	80	K1411742560	30	40	K1583187462	28	110
K0175450612	48	80	K0301650620	20	80	K1491142750	28	30	K1584151360	42	90
K0175450614	16	50	K0302450520	30	140	K1491142750	28	210	K1584153850	30	120
K0175450618	24	120	K0305450508	8	60	K1497142750	30	130	K1584153860	30	130
K0175450620	40	40	K0305750508	42	40	K1497142750	30	170	K1584154220	26	100
K0175450810	4	60	K0341050808	6	20	K1497142750	46	30	K1584154270	26	130
K0175450810	42	70	K0401360050	24	20	K1497142750	46	50	K1584174250	40	20
K0175450814	2	80	K0401360100	8	140	K1502114240	6	100	K1584192020	26	25
K0175450814	4	20	K0461100300	12	40	K1502114240	6	130	K1584196020	2	25
K0175450814	14	80	K0461100620	50	40	K1502133660	16	180	K1584196020	4	110
K0175450814	16	60	K0461200160	6	60	K1502133660	26	90	K1585252850	20	10
K0175450814	16	170	K0461200300	20	40	K1502133660	26	160	K1585292330	26	140
K0175450814	50	140	K0461200300	50	50	K1502133660	28	60	K1587674152	40	30
K0175450820	8	120	K0461350030	24	50	K1510857280	24	140	K1595133113	8	150
K0175450820	42	60	K0461350040	24	30	K1522103370	4	80	K1622154420	26	110
K0175450820	42	30	K0461350050	24	40	K1522103380	2	60	K1624105550	8	20
K0175450820	44	60	K0461350120	22	90	K1522103380	2	65	K1624105550	38	50
K0175450820	44	90	K0471701200	38	130	K1522103380	2	140	K1624133510	8	110
K0175450820	44	130	K0481400090	4	40	K1522103390	2	70	K1624196020	38	80
K0175450825	16	70	K0481400150	30	30	K1522103490	4	90	K1624196020	38	110
K0175450825	18	40	K0481400200	8	140	K1522114430	22	100	K1624196020	38	60
K0175450825	32	30	K0481400220	2	70	K1522133650	2	110	K1624591540	18	20
K0175450825	38	50	K0481400240	8	150	K1522156280	22	190	K1626113330	6	60
K0175450825	38	150	K0481400420	38	70	K1522191530	4	30	K1626113540	6	10
K0175450830	10	30	K0481405110	30	40	K1522191530	42	40	K1626113560	6	20
K0175450830	38	90	K0481410070	22	70	K1523143283	28	90	K1626452140	20	20
K0175450830	44	50	K0481410070	22	150	K1526103370	2	50	K1626474110	40	10
K0175450845	42	120	K0481700060	28	100	K1526113360	6	70	K1626483342	8	200
K0175450850	14	120	K0481705150	38	30	K1526192020	26	80	K1626596670	2	30
K0175450850	38	140	K0481750300	8	170	K1527272420	40	20	K1627143570	28	50
K0175450865	42	70	K0481750300	50	30	K1540111720	46	140	K1627143590	28	40
K0175450875	16	80	K0501200512	18	60	K1540195690	18	60	K1654143210	28	80
K0175450875	50	60	K0501200609	18	40	K1540195690	28	160	K1654143330	28	130
K0175450880	38	80	K0501200614	16	40	K1540196650	18	30	K1654195790	28	90
K0175450890	42	130	K0501200820	2	90	K1545196670	8	40	K1654195790	28	170
K0175550814	22	270	K0501201016	2	100	K1547125162	14	30	K1654195810	28	110
K0177451002	32	70	K0541100416	22	130	K1547133240	48	90	K1655195800	28	100
K0177451004	2	50	K0541100416	22	180	K1547157920	22	160	K1668396020	2	40
K0177451014	8	130	K0541100528	6	40	K1547191530	18	30	K1688164370	32	100
K0177451018	14	90	K0571200515	12	140	K1547195790	30	50	K1710533680	28	140
K0177451030	2	200	K0571200520	14	60	K1547195790	48	40	K1710533680	28	180
K0177451030	28	150	K0631185016	8	70	K1548437070	50	45	K1737117220	46	30
K0177451035	34	20	K0771501605	14	40	K1552114230	6	90	K1737195800	22	240
K0177451060	6	150	K0810306206	50	30	K1552114230	6	120	K1737195800	48	20
K0205650060	24	150	K0931888200	38	20	K1552196020	2	20	K1749042360	30	160
K0275150060	20	30	K0931888200	38	40	K1552196020	4	100	K1749064472	32	80
K0275150060	32	45	K0931888200	44	110	K1552772400	40	10	K1920296830	8	110
K0275150080	4	40	K0931888200	50	80	K1552772460	40	40	K1925812230	52	30
K0275150080	16	87	K0931888200	50	110	K1553172432	40	30	K1A02105430	8	40
K0275150080	16	160	K0931888200	50	130	K1560115550	14	10	K1A02433520	48	120
K0275150080	18	50	K0931888230	48	100	K1560196650	26	60	K1A02439010	36	10

NUMERICAL INDEX

Part No.	Page No.	Ref. No.	Part No.	Page No.	Ref. No.	Part No.	Page No.	Ref. No.	Part No.	Page No.	Ref. No.
K1C01001126	2	190	K1C01051663	16	100	K1C02014520	8	30	K1G37797010	32	130
K1C01001503	2	10	K1C01054120	26	20	K1C02022312	12	80	K1G38633140	8	160
K1C01003450	4	120	K1C01054120	26	30	K1C02022332	12	80	K1G51189815	52	20
K1C01004162	8	170	K1C01054153	26	10	K1C02022962	12	80	K1G51336550	4	50
K1C01004300	10	10	K1C01055140	18	50	K1C02022972	12	80	K1G51403310	4	130
K1C01004450	14	80	K1C01055770	24	110	K1C02023470	12	160	K1G51403602	4	130
K1C01004460	10	20	K1C01056023	22	60	K1C02023910	12	160	K1G51403612	4	130
K1C01004560	2	130	K1C01056750	22	10	K1C02023920	12	160	K1G51421050	12	20
K1C01004680	14	60	K1C01057512	22	110	K1C02026340	14	100	K1G51421090	12	20
K1C01012352	42	20	K1C01057620	22	170	K1C02042500	30	10	K1G51422013	12	50
K1C01013150	6	80	K1C01057700	22	140	K1C02051622	22	260	K1G51423010	12	100
K1C01013240	6	50	K1C01057920	24	90	K1C02053450	30	60	K1G51454100	26	70
K1C01013482	6	90	K1C01060015	36	10	K1C02053810	8	80	K1G51454230	24	35
K1C01013490	6	110	K1C01060153	22	80	K1C02055453	22	40	K1G51456412	24	70
K1C01014430	6	50	K1C01063020	34	130	K1C02072700	38	60	K1G51456480	24	80
K1C01015110	14	20	K1C01063170	34	120	K1C02073260	38	30	K1G51756150	24	60
K1C01016012	14	30	K1C01063250	34	180	K1C02073272	38	40	K1G52189117	52	10
K1C01016270	14	70	K1C01063260	34	70	K1C02091490	16	20	K1G52742110	30	70
K1C01016512	14	50	K1C01063270	34	90	K1C02094510	6	140	K1G52742120	30	80
K1C01021310	12	30	K1C01063330	34	80	K1C02095810	30	20	K1G52753800	30	150
K1C01021980	12	60	K1C01063410	34	60	K1C02095810	48	20	K1G52755050	22	20
K1C01022142	12	70	K1C01063520	34	160	K1C02096650	22	250	K1G54417010	46	10
K1C01023300	12	120	K1C01064310	32	140	K1C02096650	48	30	K1G54417110	46	90
K1C01023530	12	170	K1C01064770	32	80	K1C02096730	30	30	K1G54417200	46	20
K1C01023540	12	180	K1C01072820	38	90	K1C02096730	48	30	K1G55796650	48	50
K1C01023950	12	170	K1C01073032	38	10	K1C02551350	18	70	K1G56542110	30	100
K1C01023960	12	170	K1C01073352	38	10	K1C04005510	8	100	K1G57442140	30	90
K1C01023970	12	180	K1C01073430	38	20	K1C04017100	46	40	K1G57451650	16	90
K1C01023980	12	180	K1C01091010	32	120	K1C04033212	2	150	K1G57465450	42	140
K1C01024112	12	130	K1C01091020	8	90	K1C04033670	48	70	K1G57473060	38	30
K1C01024520	14	95	K1C01091030	8	180	K1C04053870	46	60	K1G59633280	48	40
K1C01032110	2	60	K1C01091030	44	20	K1C05011652	42	110	K1G59633313	48	10
K1C01032292	50	60	K1C01091040	8	190	K1C05011652	42	150	K1G59691010	16	85
K1C01032880	8	100	K1C01091050	32	30	K1E15812322	46	80	K1G74205120	8	50
K1C01033080	50	10	K1C01091100	2	40	K1G03154210	26	15	K1G77233660	30	60
K1C01033640	2	120	K1C01092010	32	20	K1G03154210	26	40	K1G77263820	14	20
K1C01033650	2	210	K1C01092020	24	130	K1G06542360	30	120	K1G77291030	14	70
K1C01035070	8	60	K1C01093010	32	50	K1G37104613	14	50	K1G79653620	30	50
K1C01035130	8	70	K1C01094510	22	200	K1G37125010	14	10	K1G93852030	52	10
K1C01035630	12	150	K1C01096010	2	30	K1G37283060	50	10	K1J53091010	46	110
K1C01036422	4	10	K1C01096020	8	90	K1G37283190	50	20	K1J53091500	46	50
K1C01036922	8	30	K1C01096160	2	80	K1G37714500	8	10	K1J53091510	46	100
K1C01036950	8	20	K1C01096960	50	80	K1G37736410	4	20	K1J53091530	46	70
K1C01036960	8	50	K1C01155104	22	50	K1G37736500	4	30	K1J53091540	46	150
K1C01037010	50	40	K1C01173010	38	100	K1G37742110	30	150	K1J55001013	2	10
K1C01037114	2	160	K1C02003027	4	70	K1G37764010	32	10	K1J55001745	4	10
K1C01037114	38	70	K1C02003027	6	5	K1G37764010	32	10	K1J55011630	46	120
K1C01037114	38	40	K1C02004010	8	10	K1G37764020	32	40	K1J55011812	42	80
K1C01037150	50	70	K1C02004140	8	130	K1G37764080	32	90	K1J55012310	42	10
K1C01037160	50	90	K1C02011820	42	50	K1G37764110	32	150	K1J55016170	20	10
K1C01037172	50	100	K1C02013112	6	30	K1G37764370	32	90	K1J55016320	20	60
K1C01037182	50	120	K1C02013122	6	40	K1G37764410	32	50	K1J55016340	20	70
K1C01042012	28	10	K1C02013463	6	100	K1G37764420	32	20	K1J55016570	20	20
K1C01042022	28	190	K1C02014020	6	80	K1G37764600	32	130	K1J55016580	20	30
K1C01042460	30	110	K1C02014050	6	10	K1G37764850	32	110	K1J55017302	44	10
K1C01043010	28	70	K1C02014150	6	110	K1G37773170	2	180	K1J55017320	44	40
K1C01051180	16	30	K1C02014310	6	70	K1G37774280	32	110	K1J55017410	44	120
K1C01051320	18	20	K1C02014350	6	30	K1G37791010	32	40	K1J55021110	12	10

Part No.	Page No.	Ref. No.	Part No.	Page No.	Ref. No.	Part No.	Page No.	Ref. No.	Part No.	Page No.	Ref. No.
K1J55021910	12	10	K1K01283220	50	70						
K1J55033320	22	220	K1K01291010	14	130						
K1J55050800	18	10	K1K03224250	14	90						
K1J55051010	18	10	K1K03224260	14	100						
K1J55051100	16	130	K1K03224370	14	110						
K1J55051170	16	10	K1K92550050	16	110						
K1J55052130	16	120	K3122014290	42	160						
K1J55052580	16	140	K3343082760	48	110						
K1J55052590	16	150	K3546674460	46	130						
K1J55053000	30	10	K3F26178120	32	60						
K1J55053710	30	80	K3F26178130	32	70						
K1J55053720	30	90	K5160137670	38	160						
K1J55053730	30	100	K6801151160	8	120						
K1J55053740	30	110	K6C04082690	34	150						
K1J55056030	24	10	KE915133140	50	20						
K1J55071370	2	170	KRB10151260	28	10						
K1J55071480	44	100	KRB10151270	28	30						
K1J55073880	46	20	KRB10151280	28	60						
K1J55073890	46	40									
K1J55117280	44	70									
K1J57411773	42	10									
K1J57411840	42	30									
K1J57411980	42	20									
K1J57413710	44	20									
K1J57417342	42	60									
K1J57417380	44	40									
K1J57417430	44	50									
K1J57417430	44	80									
K1J57417440	44	10									
K1J57433040	48	10									
K1J57433060	48	60									
K1J57471362	2	220									
K1J57471410	44	30									
K1J57471460	38	10									
K1J57471470	38	20									
K1J86073090	46	10									
K1K01192030	32	120									
K1K01224010	14	140									
K1K01224020	14	190									
K1K01224210	14	150									
K1K01224230	14	170									
K1K01224330	14	160									
K1K01257150	22	120									
K1K01263010	34	10									
K1K01263010	34	10									
K1K01263030	34	20									
K1K01263040	34	40									
K1K01263050	34	100									
K1K01263070	34	170									
K1K01263080	34	190									
K1K01263200	34	230									
K1K01263210	34	50									
K1K01263280	34	110									
K1K01263320	34	240									
K1K01263370	34	220									
K1K01263380	34	200									
K1K01263390	34	210									
K1K01263760	34	140									

NUMERICAL INDEX





# **GEHL**®

**Gehl Company 143 Water Street, P.O. Box 179, West Bend, WI 53095-0179 USA**  
**[www.gehl.com](http://www.gehl.com)**