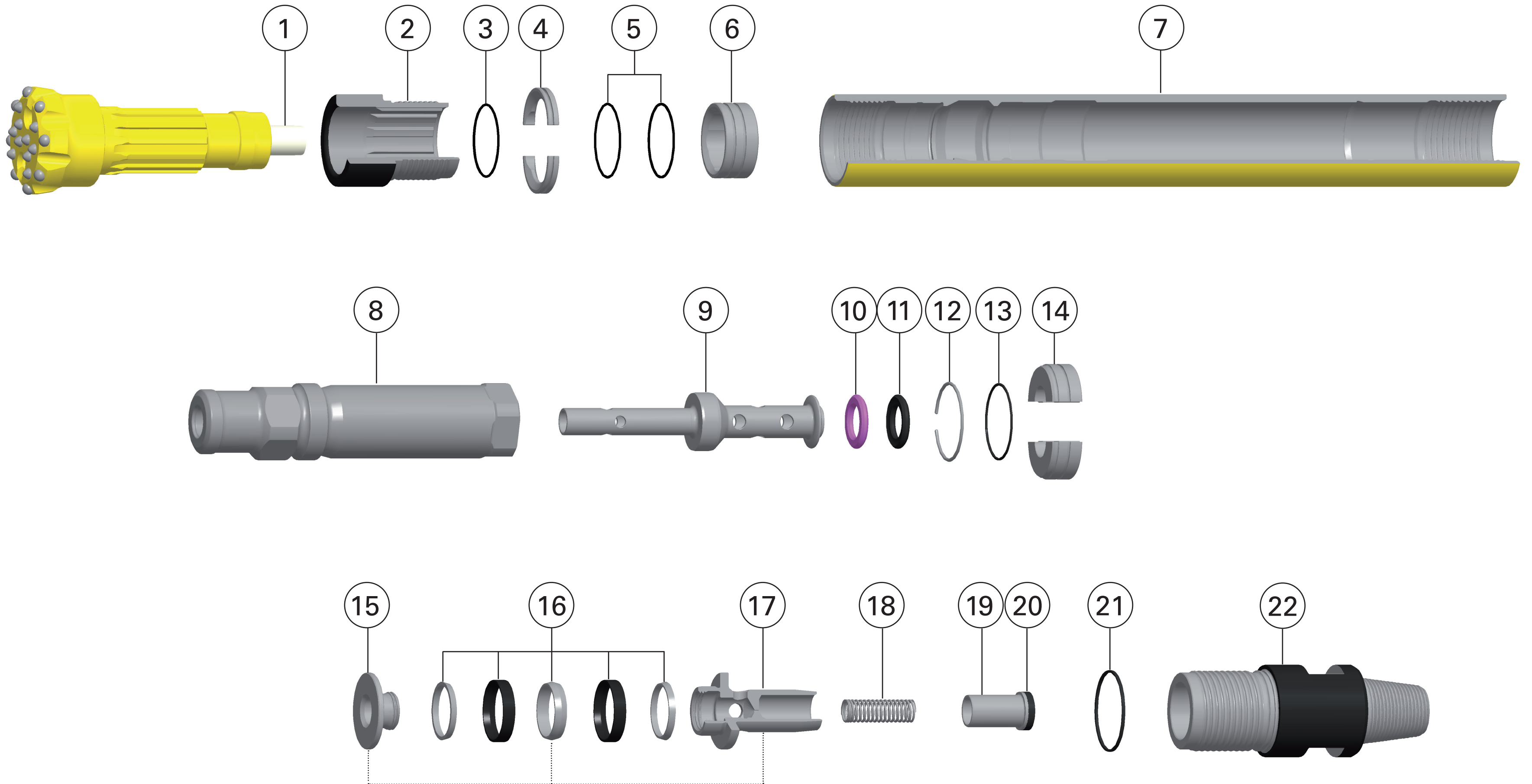


Secoroc COP 54 Gold

Down-the-hole hammer



Ref.	Part	Prod. No.	Product code
1	Exhaust tube	90515427	9257
2	Chuck for Standard version	89001253	9705-CG-00-000-25-000-001
2	Chuck for QM version	89001267	9705-CG-00-000-25-HB0-001
2	Chuck for Slim version	89001290	9705-CG-00-000-25-S00-001
3	O-ring* for Bit retaining ring	-	-
4	Bit retaining ring assembly incl. O-ring	89001257	9705-CG-00-000-25-000-A02
5	O-ring* for Bushing	-	-
6	Bushing	89001259	9705-CG-00-000-25-000-A22
7	Casing for Standard version	89001258	9705-CG-00-000-00-000-004
7	Casing for QM version	89001268	9705-CG-00-000-00-H00-004
7	Casing for Slim version	89001291	9705-CG-00-000-00-S00-004
8	Piston	89001260	9705-CG-00-000-25-000-005
9	Control tube	89001261	9705-CG-00-000-00-000-007
10	Lower buffer	89001262	9705-CG-00-000-00-000-011
11	Upper buffer	89001263	9705-CG-00-000-00-000-009
12	Lock ring	89000057	9705-CO-00-000-00-000-006
13	O-ring* for Cover	-	-
14	Cover assembly incl. O-ring	89000070	9705-CO-00-000-00-000-021
15	Spring stop incl. in item 16	-	-
16	Friction spring set assembly	89001264	9705-CG-00-000-00-000-A10
17	Valve body incl. in item 16	-	-
18	Spring check valve	89001265	9705-CG-00-000-00-000-016
19	Check valve	89001266	9705-CG-00-000-00-000-017
20	Seal check valve	89001072	9705-CO-00-000-00-000-018
21	O-ring* for Backhead	-	-

Ref.	Part	Prod. No.	Product code
22	Backhead assembly for Standard version, 3 1/2" API Reg Pin, incl. O-ring	89000425	9705-CO-00-14P-00-000-A20
22	Backhead assembly for QM version, 3 1/2" API Reg Pin, incl. O-ring	89000563	9705-CO-00-14P-00-HB0-A20
22	Backhead assembly for Slim version, 3 1/2" API Reg Pin, incl. O-ring	89001368	9705-CO-00-14P-00-S00-A20

*O-rings not sold separately. Included in different kits below.

Hammers and Kits	Prod. No.	Product code
COP 54 Gold complete, 3 1/2" API Reg Pin	89001243	9705-CG-00-14P-25-000
COP 54 Gold complete QM, 3 1/2" API Reg Pin	89001255	9705-CG-00-14P-25-HB0
COP 54 Gold complete Slim, 3 1/2" API Reg Pin	89001354	9705-CG-00-14P-25-S00
O-ring kit incl. item 3x3, 2x5, 13, 20	89001270	9705-CG-00-000-00-000-K47
Economy kit, 3 1/2" API Reg Pin incl. item 2, 3x3, 2x5, 7, 10, 11, 12, 13, 21, 22	89001273	9705-CG-00-14P-25-000-K40
Economy kit QM, 3 1/2" API Reg Pin incl. item 2, 3x3, 2x5, 7, 10, 11, 12, 13, 21, 22	89001274	9705-CG-00-14P-25-HB0-K40

Wear limits		
Casing	Min. OD	110 mm
Bit bushing	Max. ID	77 mm
Piston / Casing clearance	Max.	0,2 mm
Piston / Control tube	Max.	0,2 mm
Foot valve	Min. OD	39,2 mm
Exhaust tube protrusion		54 +/- 1 mm