

# SERVICE MANUAL

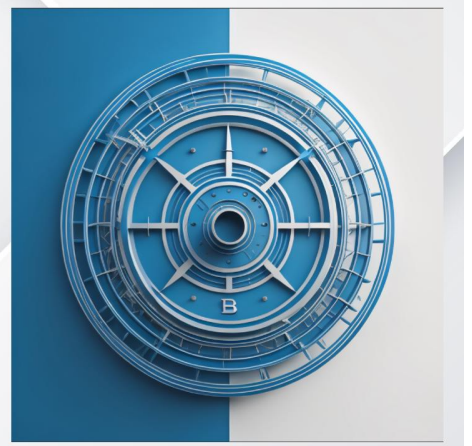
E

## Screw Compressor

Model: DSD 171 / 5,5 – 8,5 bar

GL-Nr.: 1\_8701\_2-00 02

در کنار شما چهل ساله شدیم...  
جهان کمپرسور را خدمات معتبر



Part No.: .....

Serial No.: .....

Manufacturer:

**KAESER KOMPRESSOREN GmbH**

96410 Coburg • PO Box 2143 • GERMANY • Tel. + 49-(0)9561-6400 • Fax + 49-(0)9561-640130

<http://www.kaeser.com>



<b>1</b>	<b>Technical Specification</b>	<b>1 – 1</b>
1.1	Compressor Package	1 – 1
1.2	Sound Pressure Level	1 – 1
1.3	Motor	1 – 1
1.4	Power Supply	1 – 2
1.5	Pressure Relief Valve	1 – 2
1.6	Installation Requirements	1 – 2
1.7	Oil Capacities	1 – 2
1.8	Recommended Cooling Fluid	1 – 3
1.8.1	General information	1 – 3
1.8.2	KAESER cooling fluid	1 – 3
1.8.3	Change intervals	1 – 3
1.8.4	SIGMA FLUID PLUS	1 – 4
1.8.5	SIGMA FLUID FGL	1 – 4
1.8.6	Compatibility of KAESER cooling fluid	1 – 5
1.9	Drive Motor Service Interval	1 – 5
1.10	Dimensional Drawing	1 – 5
<b>2</b>	<b>Safety Regulations</b>	<b>2 – 8</b>
2.1	Explanation of Symbols and References	2 – 8
2.2	General Safety Instructions	2 – 9
2.3	Electrical Safety	2 – 10
2.4	Spare Parts	2 – 10
2.5	Compressed Air Installation	2 – 10
2.6	Environmental Protection	2 – 11
<b>3</b>	<b>General</b>	<b>3 – 12</b>
3.1	Correct use	3 – 12
3.2	Incorrect Use	3 – 12
3.3	Compressed Air Treatment	3 – 12
3.4	Copyright	3 – 12
3.5	Accompanying Documents	3 – 12
<b>4</b>	<b>Transport</b>	<b>4 – 13</b>
4.1	Transport Instructions	4 – 13
4.2	Packaging	4 – 13
4.3	Storage	4 – 14
<b>5</b>	<b>Technical Description</b>	<b>5 – 15</b>
5.1	Principle of Compression	5 – 15
5.2	Short Description	5 – 15
5.3	Pipe and Instrument Flow Diagram (P & I Diagram)	5 – 15
5.4	DUAL Control	5 – 18
5.5	QUADRO Control	5 – 19
5.6	VARIO Control Mode	5 – 20

<b>6</b>	<b>Installation</b>	<b>6 – 21</b>
6.1	Installation Requirements	6 – 21
6.2	Air Connection	6 – 22
6.3	Electrical Connection	6 – 22
<b>7</b>	<b>Initial Start–up</b>	<b>7 – 24</b>
7.1	Points to be Noted before Initial Start–up	7 – 24
7.2	Observe the following before starting:	7 – 24
7.3	Checklist	7 – 26
7.4	Direction of Rotation Check	7 – 27
7.5	Setting up the Motor Overload Trip	7 – 27
7.6	Setting the Motor Overload Protection Switch	7 – 28
7.7	Setting the Air Main Pressure Threshold	7 – 28
7.8	Measures to be taken before Initial Start	7 – 29
7.8.1	Pour a small quantity of oil into the air inlet port.	7 – 29
7.8.2	Running the compressor package in idle	7 – 29
<b>8</b>	<b>Operation</b>	<b>8 – 30</b>
8.1	Control Panel	8 – 30
8.2	SIGMA controller	8 – 30
8.3	Emergency Stop Pushbutton	8 – 30
8.3.1	Function keys	8 – 31
8.3.2	Light emitting diodes and plain text display	8 – 31
8.4	Compressor Package ON/OFF	8 – 32
8.5	Acknowledgement of Alarms	8 – 32
8.6	Acknowledgement of Service Messages	8 – 33
8.7	Faults: Possible cause – Remedy	8 – 34
8.7.1	Working temperature too high	8 – 34
8.7.2	Motor overload protection relay trips	8 – 34
8.7.3	Compressor runs but does not reach pressure.	8 – 35
8.7.4	Oil running out of air filter.	8 – 35
8.7.5	Too frequent switching between load and idle	8 – 36
8.7.6	Pressure relief valve blowing off	8 – 36
8.7.7	Oil in the package	8 – 36
8.7.8	Cooling fluid consumption too high	8 – 36
<b>9</b>	<b>Maintenance</b>	<b>9 – 38</b>
9.1	Observe the following during all maintenance and servicing	9 – 38
9.2	Location of Access Doors and Cover Panels	9 – 39
9.3	Regular Maintenance	9 – 40
9.4	Oil Leak Collector Bottle	9 – 41
9.5	Cleaning the Oil Cooler and Air Cooler	9 – 42
9.6	Cleaning or Renewing the Air Filter	9 – 43
9.7	Servicing the Electric Motor	9 – 44
9.8	Coupling	9 – 44
9.9	Checking the Pressure Relief Valve on the Oil Separator Tank	9 – 45

---

	Chapter – Page
9.10 Venting the Compressor Package .....	9 – 45
9.11 Oil Filter Change .....	9 – 47
9.11.1 Removal and replacement of the oil filter .....	9 – 47
9.12 Topping up the cooling fluid .....	9 – 49
9.13 Oil Change (Oil Separator and Oil Cooler) .....	9 – 51
9.13.1 Draining the oil using external pressure source .....	9 – 52
9.13.2 Adding oil .....	9 – 53
9.13.3 Draining the oil using own compressed air .....	9 – 53
9.13.4 Measures for putting back into operation .....	9 – 54
9.14 Changing the Oil Separator Cartridge .....	9 – 54
9.15 Assembly of the Flexible Pipe Connections .....	9 – 57
9.16 Flexible Pipe Connection Measurements .....	9 – 57
9.17 Record of Maintenance Work .....	9 – 58
<b>10 Spare Parts and After Sales Service .....</b>	<b>10 – 59</b>
10.1 Service parts and expendable parts .....	10 – 59
10.2 Service and Maintenance Agreement .....	10 – 59
<b>11 Appendix .....</b>	<b>11 – 60</b>
11.1 Electrical Diagram .....	11 – 60
11.2 Spare Parts List .....	11 – 87

## 1 Technical Specification

### 1.1 Compressor Package

Model .....	DSD 171
Permissible gauge working pressure .....	8,5 bar
Operating temperature, approx. ....	75 – 100 °C (related to the gauge working pressure and climatic conditions such as humidity in the air and ambient temperature).
Weight .....	3040 kg

#### Drawings:

Dimensional drawing .....	T9052.02 / T9443.01
P & I flow diagram .....	FSD141STL-0130.00 (Pipework and instrument flow diagram)
Electrical diagram .....	SDSD171.L-01003.02

### 1.2 Sound Pressure Level

#### Operational state of the compressor unit:

Full load, the compressor unit runs at: rated speed, rated pressure, rated capacity.

#### Setting up conditions:

Free field measurement

#### Measurement to CAGI/PNEUROP PN8 NTC 2.3:

Sound Pressure Level .....	70 dB (A)
----------------------------	-----------

### 1.3 Motor

#### Drive motor:

Rated power .....	90 kW
Rated speed .....	1500 min <sup>-1</sup>
Protection class .....	IP 55

#### Fan motor:

Rated power .....	2,5 kW
Rated speed .....	1000 min <sup>-1</sup>
Protection class .....	IP 54

**1.4 Power Supply**

(see chapter 6.3 for further details)

Mains voltage .....	400 ± 10%	V 3~/PE
Frequency .....	50	Hz
Max. mains fusing (slowblow or gl class) .....	224	A
Power supply cable cross-section .....	4 x 120	mm <sup>2</sup> (CU multicore cable)
Current flow .....	179	A

**1.5 Pressure Relief Valve**

Activating pressure .....	11,5	bar
---------------------------	------	-----

**1.6 Installation Requirements**

Max. height above sea level .....	1000	m
(consult with the manufacturer before installing at greater altitudes)		
Min. ambient temperature .....	3	°C
Max. ambient temperature .....	40	°C
Min. cooling air/inlet air temperature .....	3	°C
Max. cooling air/inlet air temperature .....	40	°C
Air inlet opening .....	2	m <sup>2</sup>
Exhaust air for solution A (see chapter 6.1):		
Forced ventilation with exhaust fan .....	27500	m <sup>3</sup> /h at 100 Pa
Exhaust air for solution B (see chapter 6.1):		
Exhaust air used for space heating:		
Heating duct w x h .....	975 x 975	mm

**1.7 Oil Capacities**

Total oil capacity .....	72	l
--------------------------	----	---

**After oil change or after long period of storage**

Amount required to top up the airend .....	4	l
--	---	---

**Difference in oil volume between minimum and maximum levels**

Top off volume .....	13	l
----------------------	----	---

## 1.8 Recommended Cooling Fluid

Cooling and lubrication are decisive factors for reliable compressor operation.

Cooling fluids have vital tasks to fulfil:

- they function as a sealant in the airend to ensure maximum efficiency during the process of compression.
- they remove the heat caused by compression. This cools the airend and reduces the temperature of the compressed air.
- Cooling fluid must withstand heat and pressure, and absorb the contaminations encountered in every compressor.

### 1.8.1 General information

KAESER cooling fluid intended for fluid injected airends must be stored according to environmental regulations and protected such that contamination and hazards are prevented.

**Attention!**

**It is imperative that national legislation covering transport, storage, use (especially regulations for oil changes) and disposal is observed.**

The user accepts overall responsibility for safe and secure handling as soon as the cooling fluid enters his or her area of responsibility.

Safety data sheets for the cooling fluids mentioned are available from KAESER.

### 1.8.2 KAESER cooling fluid

Several types of cooling fluid specially developed for use in KAESER's rotary screw compressors are available. Characteristics such as absorption of water, lubrication and resistance to aging are excellent.

**Attention!**

**Under conditions of very high ambient temperature or contamination the cooling fluid should be changed more frequently.**

**It is imperative that national oil change regulations must be observed.**

**The fluid separator tank is labelled with the type of cooling fluid used.**

### 1.8.3 Change intervals

The duty cycle and ambient conditions are important criteria for the number and length of the change intervals:

Cooling fluid	Description	maximal permissible fluid change interval in operating hours / years	
		favourable operating conditions*	unfavourable operating conditions
SIGMA FLUID PLUS	Synthetic oil	9 000 / 3	6 000 / 1
SIGMA FLUID FGL	Synthetic oil	3 000 / 1	2 000 / 1

\* cool to moderate ambient temperatures, low humidity, high duty cycle



**1.8.4 SIGMA FLUID PLUS**

SIGMA FLUID PLUS is the standard KAESER cooling fluid.

Based on synthetic poly- $\alpha$ -olefins, it is characterised by its long life, excellent lubrication and low evaporation loss.

It is recommended for ambient temperatures up to 45 °C.

**KAESER SIGMA FLUID PLUS has the following properties:**

- |                              |              |                         |
|------------------------------|--------------|-------------------------|
| ● Viscosity at 40°C          | DIN 51562-1  | 70 mm <sup>2</sup> /s   |
| ● Viscosity at 100°C         | DIN 51562-1  | 10.6 mm <sup>2</sup> /s |
| ● Density at 15°C            | DIN 51757    | 843 kg/m <sup>3</sup>   |
| ● Flash point (COG)          | DIN ISO 2592 | 260°C                   |
| ● Pour point                 | DIN ISO 3016 | -39°C                   |
| ● Water separability at 54°C | DIN 51599    | 30 min                  |
- Very good oxidation stability
  - Good anti-wear properties
  - Excellent dispersant and detergent properties
  - High viscosity index
  - Very good demulsifying properties
  - Low evaporation loss

**Cooling fluid part number:**

SIGMA FLUID PLUS 4 l	Part No.: 9.1468.2
SIGMA FLUID PLUS 20 l	Part No.: 9.1459.2
SIGMA FLUID PLUS 200 l	Part No.: 9.1454.2

**1.8.5 SIGMA FLUID FGL**

SIGMA FLUID FGL is a synthetic oil specially developed for use with rotary screw compressors intended for the supply of compressed air coming into occasional contact with foodstuffs.

This cooling fluid complies with USDA H-1 and is approved for the manufacture of foodstuff wrapping materials, for meat and poultry processing and for other foodstuff processing applications.

**KAESER SIGMA FLUID FGL has the following properties:**

- Viscosity to D 445 (ASTM Test) at 40°C: 50.7 mm<sup>2</sup>/s
- Viscosity to D 445 (ASTM Test) at 100°C: 8.2 mm<sup>2</sup>/s
- Flash point to D92 (ASTM Test): 254°C

**Cooling fluid part No.:**

SIGMA FLUID FGL 19 l	part No.: 9.1463.0
SIGMA FLUID FGL 208 l	part No.: 9.1462.0

**1.8.6 Compatibility of KAESER cooling fluid**

All the KAESER cooling fluids mentioned above are comparable with mineral oil with regard to their material compatibility with paints, sealants and hoses.

**Attention!**

**Never mix different types of cooling fluid!**

**Synthetic cooling fluids can attack polycarbonate oil trays. For this reason, we recommend metal oil trays.**

**Certain plastic parts in the compressed air supply may not be resistant to synthetic cooling fluid.**

When changing the type of cooling fluid, ensure that the fluid circulation system of the compressor package is completely drained before filling with the new fluid. As far as possible, remove any deposits in the cooling system.

It is possible that the separator cartridge will have to be changed because of existing cooling fluid deposits that detach themselves after changing the type of cooling fluid. This one-off, additional requirement is caused by the cleaning effect of the new cooling fluid.

**1.9 Drive Motor Service Interval****Greasing the bearings:**

Greasing interval ..... 2000 h\*

Quantity per bearing ..... 35 g

\*operating hours

Always use ESSO Unirex N3 high temperature grease for the bearings.

Bearing damages caused by the use of other brands of grease are excluded from the warranty.

**ESSO Unirex N3 part numbers:**

100 g part No.: 9.0915.0

400 g part No.: 6.3234.0

**Renew the drive motor bearing:**

Under normal operating conditions, after ..... 36000 h\*  
(ambient temperature up to 25°C)

Under unsuitable operating conditions, after ..... 20000 h\*  
(ambient temperature up to 40°C)

at the latest after ..... 8 years

\*service hours

**Renew the fan motor bearing:**

Under normal operating conditions, after ..... 12000 h\*  
(ambient temperature up to 25°C)

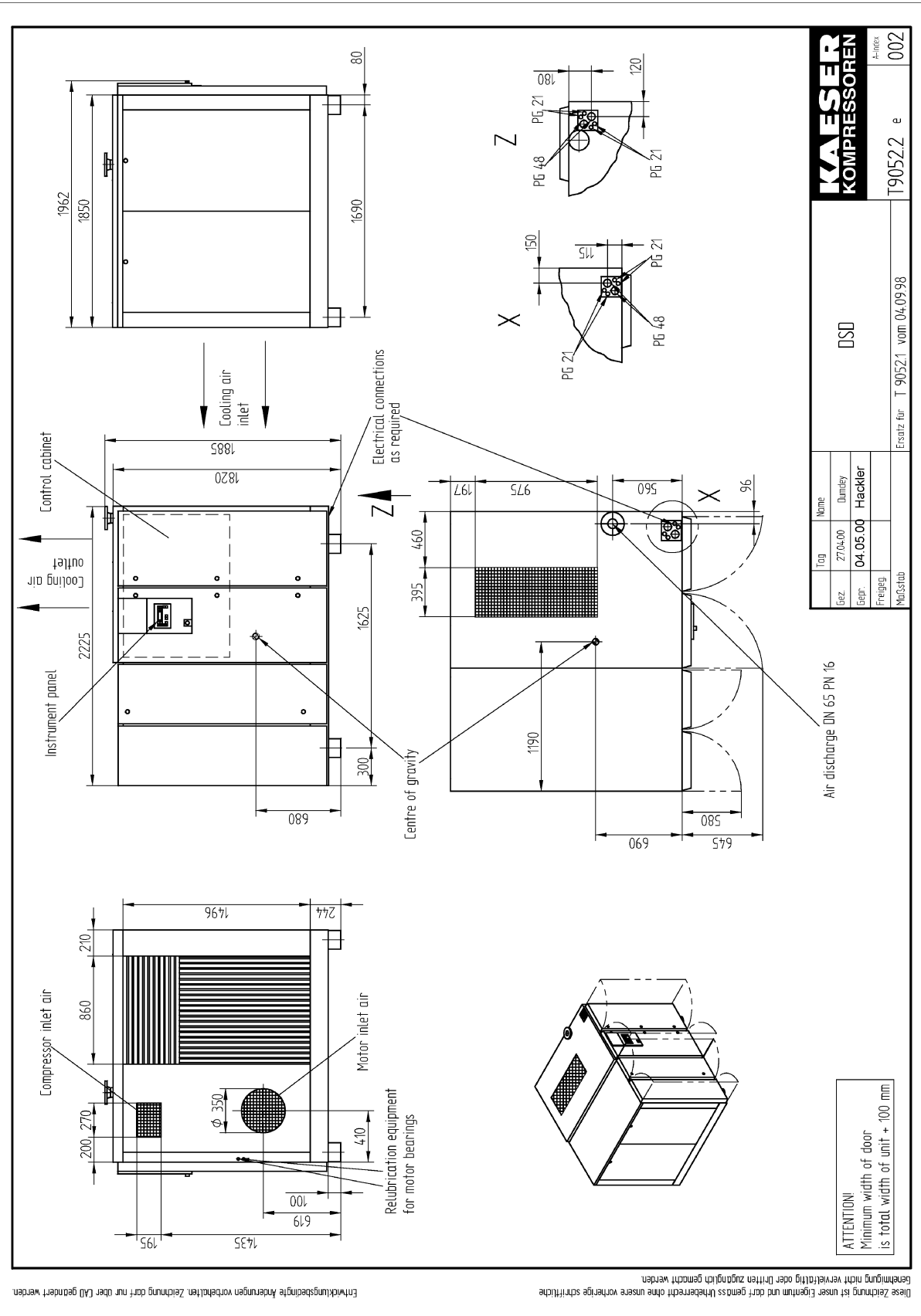
Under unsuitable conditions, after ..... 6000 h\*  
(ambient temperature up to 40°C)

but at the latest after ..... 3 years

\*service hours

**1.10 Dimensional Drawing**

(see following page)



### Overall permitted pressure loss in ducting

DSD 141 :  $\Delta p$  total = 100 Pa (10 mm WS) without filter mats  
 DSD 171 / 201 :  $\Delta p$  total = 150 Pa (15 mm WS) without filter mats  
 DSD 241 :  $\Delta p$  total = 150 Pa (15 mm WS) without filter mats  
 DSD 281 :  $\Delta p$  total = 80 Pa (8 mm WS) without filter mats

DSD 141 : V = 9000 m<sup>3</sup>/h approx. 2,6 m/s  
 DSD 171 / 201 : V = 14.000 m<sup>3</sup>/h approx. 4,1 m/s  
 DSD 241 / 281 : V = 21.000 m<sup>3</sup>/h approx. 6,1 m/s

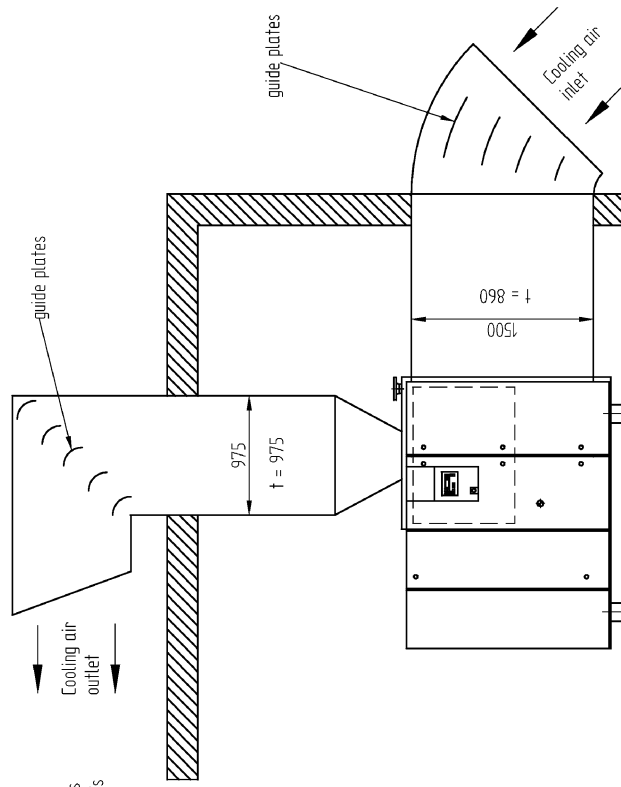
90° bend  
 DSD 141 : 2,1 Pa  
 DSD 171 / 201 : 5,0 Pa  
 DSD 241 / 281 : 11,0 Pa

Straight duct  
 DSD 141 : 0,10 Pa/m  
 DSD 171 / 201 : 0,30 Pa/m  
 DSD 241 / 281 : 0,60 Pa/m

DSD 141 : V = 9000 m<sup>3</sup>/h approx. 2,0 m/s  
 DSD 171 / 201 : V = 14.000 m<sup>3</sup>/h approx. 3,0 m/s  
 DSD 241 / 281 : V = 21.000 m<sup>3</sup>/h approx. 4,5 m/s

bend  
 DSD 141 : 1,1 Pa  
 DSD 171 / 201 : 2,7 Pa  
 DSD 241 / 281 : 6,0 Pa

Straight duct  
 DSD 141 : 0,10 Pa/m  
 DSD 171 / 201 : 0,20 Pa/m  
 DSD 241 / 281 : 0,40 Pa/m



Tag		Name	
Gez.	15.12.99	Dumleby	
Gepr.	11.09.00	Hackler	
Freigeig.			
Maßstab	Ersatz für		
DSD		Overall permitted pressure loss in ducting	
KOMPRESSOREN		T94431 e	
		A-index 002	

## 2 Safety Regulations

Read this service manual carefully and observe cautionary references before putting this compressor package into operation and before carrying out any maintenance.

### 2.1 Explanation of Symbols and References



This symbol is placed before all references to safety where danger to life and limb can occur. It is especially important that these regulations are observed and that extreme care is taken. For their own protection, all other users must be informed of these safety regulations. Observe general safety and accident prevention regulations as well as the safety regulations laid down in this service manual.

Attention!

This symbol is placed by text where considerable attention must be paid so that recommendations, regulations, references and correct sequence of work are adhered to and that damage and/or destruction of the compressor package and/or other equipment is prevented.



This symbol identifies environmental protection measures.



This symbol indicates operations to be carried out by the user.



This bullet identifies listings.

#### Explanation of warning labels:



Beware of hot surface. Do not touch surface; danger of burning.



Beware of high voltage. Do not touch electrical components; danger of electric shock.



Beware! Machine starts automatically. Machine can start automatically or by remote start command.



Beware of rotating parts. Do not touch rotating parts as this can cause pinching/injury.

## 2.2 General Safety Instructions



Work on power driven systems may only be carried out by trained or instructed personnel or by specialised personnel.

Work on electrical equipment in the compressor package may only be carried out by a trained electrician or trained personnel under the supervision of a trained electrician according to electrical engineering regulations.



Before work is carried out on electrical systems, carry out the following measures in the sequence shown:

Switch off all phases.

Ensure the unit cannot be switched on again.

Check that no voltage is present.



Unless the Service Manual states otherwise, all pressure lines must be vented or shut off.

**Attention!**

Any alterations or reconstruction carried out without consultation with and the previous consent of KAESER COMPRESSORS will invalidate the warranty.

**Attention!**

No welding, heat-treatment or mechanical modifications may be carried out on pressurised components such as. pipework, air receivers, etc.

**Attention!**

Safety devices may not be modified or deactivated.

Signs and marks of reference may not be removed or rendered unreadable.

The relevant statutory regulations must be observed during installation, operation, maintenance and repair of the compressor package.

These are, for example, nationally applied European directives and / or valid national laws, safety and accident prevention regulations.

**These instructions must also be observed:**

- Allow no open flames and flying sparks at the place of installation.
- Ensure that sparks or high temperatures cannot cause fire or explosion if welding is carried out on or near the compressor.
- Ensure that the compressor unit can breathe clean intake air that contains no damaging components.
- Do not allow the maximum ambient temperature to be exceeded (see chapter 1.6), otherwise special measures must be agreed between the manufacturer and the customer.
- Carry out oil changes according to the service manual.
- Use only oils recommended by the manufacturer.

- Do not mix cooling oils of different types.
- The operating temperature stipulated must be kept to and checked constantly to avoid condensate in the oil circulation.
- If maintenance work is carried out on any part of the oil circulation system, top up the oil in the oil separator tank to the maximum level afterwards, run the compressor for a short period and keep it under constant observation. Check the oil level again and top up with oil to replace the oil taken up by the piping and the cooling system.
- Use the filter cartridge of the oil separator tank only as long as the pressure drop across the filter is less than the 1 bar specified. Check constantly.
- This machine is not explosion-proof.  
It may not be operated in areas in which specific requirements with regard to explosion protection are applied.  
These are, for example, the requirements for "specified use in hazardous explosive environments" according to the 94/9/EU ATEX Directive.

### 2.3 Electrical Safety

The electrical installation of the compressor package must conform to the requirements of European Standards EN 1012-1 and EN 60204-1. The regulations of the local electricity authority must also be complied with.

**For this reason, the following measures must be carried out by the user to ensure the safe operation of the compressor package:**

- Compressor packages fitted with a drive motor of 3 kW or above and a current rating of 16 amperes or above must be fitted with with a lockable main switch (see EN 60204-1, P 5.3) and mains fuses.
- The type of main switch used is dependent on the power consumption of the drive motor (see chapter 1.4 for value).
- The type of protective circuit breaker used is dependent on the starting characteristic of the drive motor.
- See chapter 1.4 for recommended cable cross-sections and fuses.

### 2.4 Spare Parts

Genuine KAESER parts are designed and matched to meet the technical requirements of the compressor package.

This means that safe and reliable operation of the compressor package can only be guaranteed if genuine KAESER spare parts and KAESER SIGMA FLUID is used.

**Attention!**

**Use only original parts in assemblies subject to pressure.**

### 2.5 Compressed Air Installation

If a compressed air installation is extended or changed, check the blowoff pressure of the pressure relief valves on the air receiver tanks and in the pipework before the new compressor package is installed.

If the blowoff pressure is too low, fit a pressure relief valve with correspondingly higher blowoff pressure.

## 2.6 Environmental Protection

### Condensate drainage



The condensate accumulating during compression must be fed via a suitable drainage system into special canisters and disposed of according to environmental regulations.

### Lubricants / consumable materials / replacement parts



Ensure that all lubricants, consumable materials and replacement parts accumulating during operation and servicing of the compressor package are disposed of according to environmental regulations.



The following points must be observed when handling lubricating and cooling materials:

**Avoid contact with skin and eyes.**  
**Do not inhale vapours and oil mist.**  
**Do not eat or drink when handling such materials.**  
**Fire, open flame and smoking are strictly forbidden.**



### 3 General



**The service manual must always be available for use at the location of the compressor package.**

#### 3.1 Correct use

The compressor package is intended solely for the purpose of generating compressed air. Any other use is considered incorrect. The manufacturer cannot accept liability for any consequential damage caused by such incorrect use; the user alone is liable for any risks incurred.

Correct use of the compressor also encompasses adherence to the installation, disassembly, commissioning, operational and maintenance conditions laid down by the manufacturer.

This compressor package may only be used for industrial purposes.

If the compressor package is operated in an air distribution network, the maximum network pressure may not exceed 16 bar.

**Attention!**

**The equipment may only be used or serviced by persons who are authorised and trained.**

#### 3.2 Incorrect Use



**Never direct compressed air toward any person at any time. As it represents contained energy, it is dangerous to life.**

**Attention!**

**Inlet air may not contain any explosive or chemically unstable gas or vapour.**

#### 3.3 Compressed Air Treatment



**Never use compressed air from oil injected compressor packages for breathing purposes and production methods where the air has direct contact with food, without subjecting the compressed air to additional treatment.**

#### 3.4 Copyright


All rights reserved.

No part of this publication may be reproduced or utilized in any form or by any means, electronic or mechanical, including photocopying and microfilm, without prior permission in writing from KAESER COMPRESSORS.

#### 3.5 Accompanying Documents

With this Service Manual are documents intended to assist in safe and sure operation of the compressor:

- Certificate of acceptance / operating instructions for the pressure vessel
- Conformity or Manufacturer's Declaration in accordance with applicable directives
- Service Manual and Declaration of Conformity for pressure components (see compressor Declaration of Conformity)

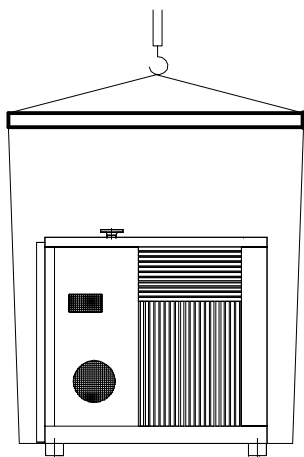
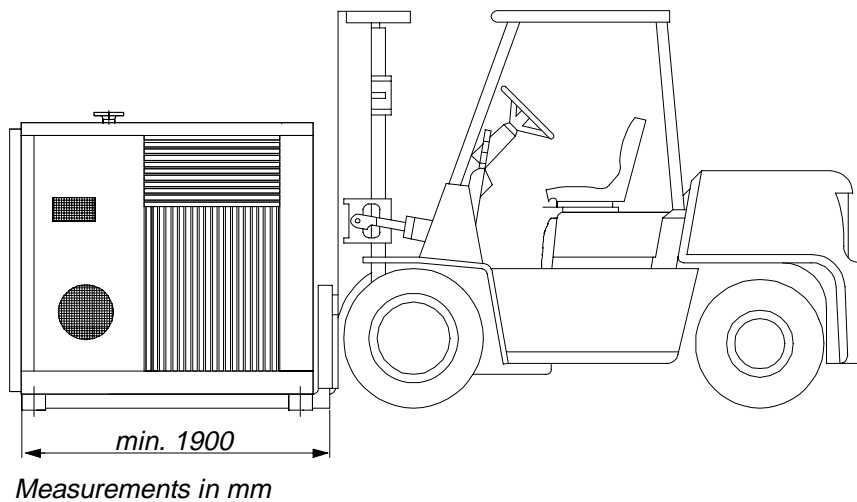
 Make sure all documents are to hand and their contents understood.

Request the supply of any missing documents from KAESER.  
Make sure you give the data from the nameplate.

## 4 Transport

### 4.1 Transport Instructions

We recommend a fork lift truck or lifting equipment for transporting the compressor package to avoid damage to the cabinet and framework.



**Attention!**

**Do not exert any side forces on the compressor package when transporting with lifting equipment!**

### 4.2 Packaging

Always observe the instructions in chapter 4.3 when packaging the machine for storage. Use packaging suitable for the intended route if the machine is to be transported further by the customer.

#### Overland

The machine should be protected from mechanical damage by a sturdy crate and from moisture by plastic sheeting.

#### By sea or air

Special packaging instructions can be obtained from KAESER.



**Dispose of the packaging according to environmental regulations and recycle where possible.**

### 4.3 Storage

If the equipment is to stand idle for a long period the prescribed measures must be taken to avoid damage.

If any measures can not be taken, advice should be sought from the authorised KAESER Service depot.

**Attention!**

**Basically, the equipment should be stored in a dry, frost-free room. Protect against ingress of moisture or formation of condensation. See chapter 7.8 for instructions on start-up.**

**Storage up to 6 months (temporarily out of service):**

As an alternative to storage, the equipment can be run once a week for 30 minutes at operating temperature to ensure adequate corrosion protection. Otherwise, the measures described under "Storage for longer than 6 months' are to be taken.

**Storage for longer than 6 months:**

Ensure the equipment is dry and cover in plastic sheeting. Protect the interior with sufficient quantities of desiccant (silica gel or similar).

**Storage for longer than 12 months:**

Carry out the following additional maintenance tasks before putting into operation:

- ☞ Change the cooling fluid filter (see chapter 9.11).
- ☞ Change the fluid separator cartridge (see chapter 9.14).
- ☞ Change the cooling fluid (see chapter 9.13).
- ☞ Have the motor bearings checked by an authorised KAESER service technician.

**Storage for longer than 3 years:**

After 3 years at the latest the complete technical condition of the equipment must be checked before start-up.

**Attention!**

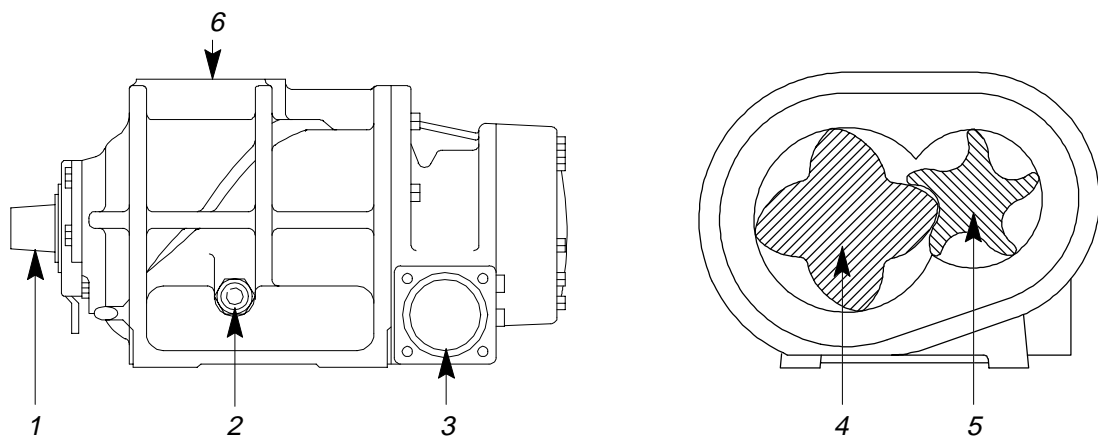
**Starting up the equipment without a full inspection can lead to damage.**

- ☞ Have the the start-up carried out by an authorised KAESER service technician.

## 5 Technical Description

### 5.1 Principle of Compression

The stationary compressor package is fitted with a single stage, oil-injected air end. Two rotors, the driven male rotor and the female rotor, both mounted in roller bearings, are fitted in the air end. As the rotors rotate, air is drawn into the upper side through the inlet port and is compressed on the lower side. The oil that is injected into the lower side absorbs heat generated by compression, prevents metallic contact between the rotors, seals the rotors and the housing from each other and also lubricates the roller bearings. The compressed air and oil mixture leaves the air end via the discharge port.



- 1 Drive shaft
- 2 Oil injection
- 3 Discharge port

- 4 Male rotor
- 5 Female rotor
- 6 Air inlet port

### 5.2 Short Description

The compressor air end is driven via a coupling from an electric motor.

An oil separator cartridge is fitted into the oil separator tank allowing a practically oil free compressed air supply.

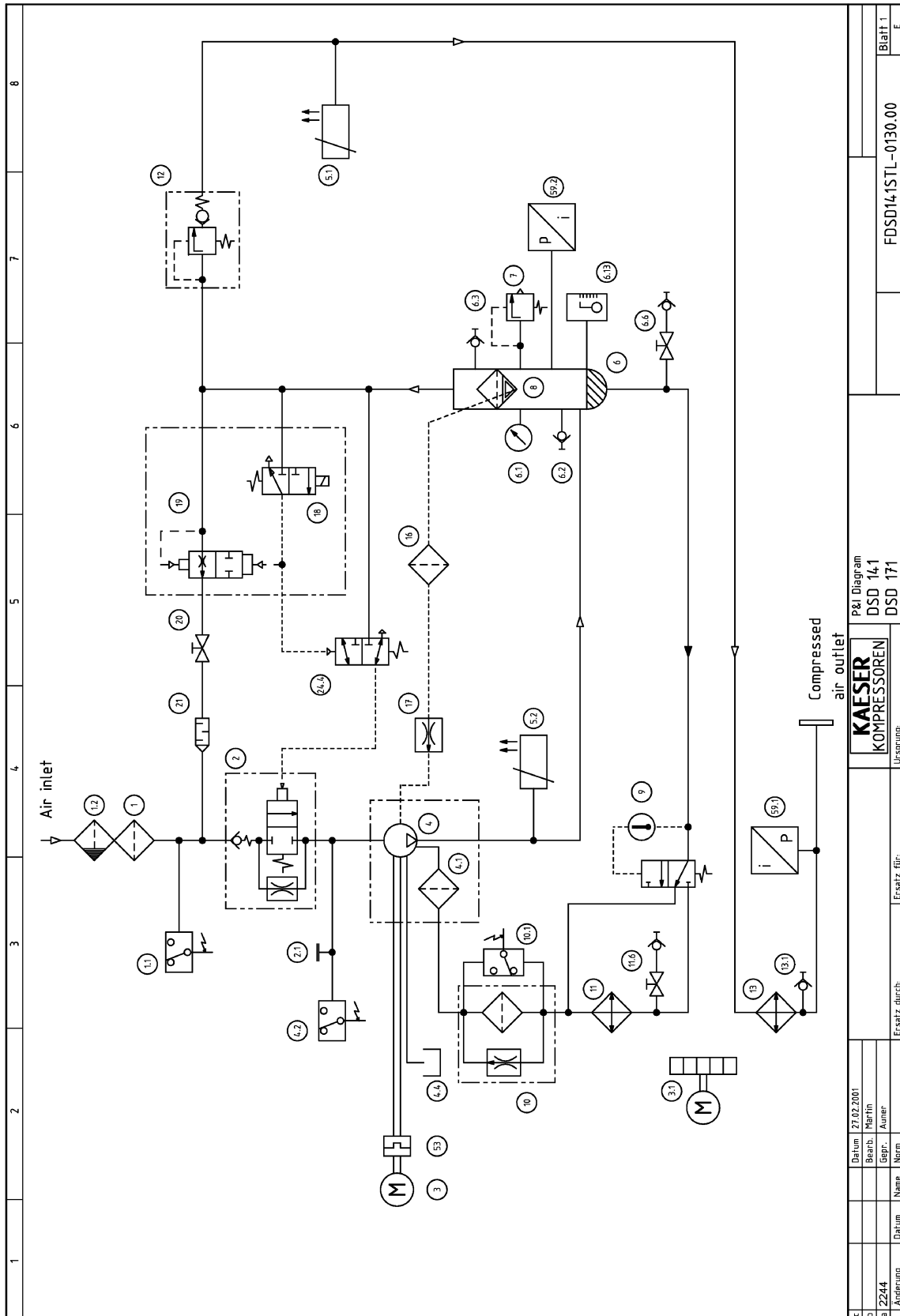
The regulation of the compressor ensures that compressed air is generated within the set pressure limits.

A safety function protects the compressor package against failure of important systems by automatic shut-down.

The fan ensures sufficient cooling air flow to the air-cooled oil cooler and air cooler.

### 5.3 Pipe and Instrument Flow Diagram (P & I Diagram)

(see following pages)

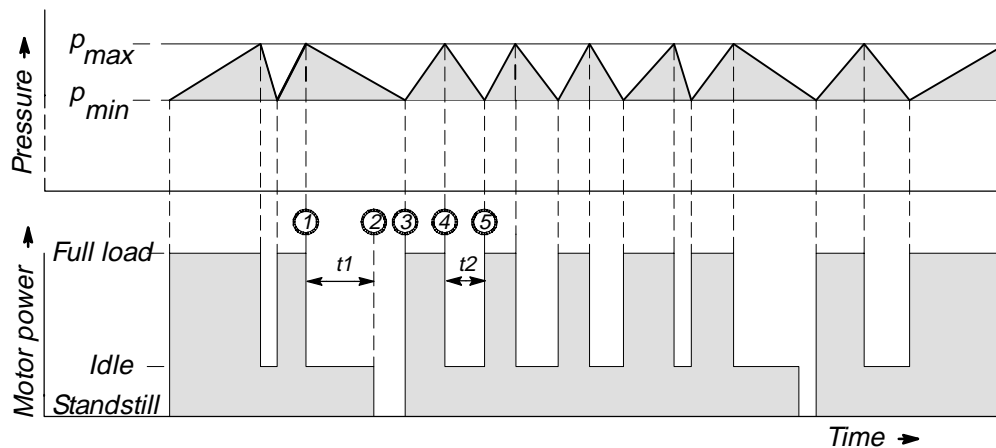


Datum: 27.02.2001		P&I Diagram	
Bearb.: Martin		DSD 14.1	
Änderung: 2244		DSD 171	
Erstellt durch:		Ersatz für:	
Name:		FDS D14/STL - 0130.00	
Norm:		Blatt 1	
Datum:		E	

1	2	3	4	5	6	7	8
1	Air filter			9	Oil temperature controller		
1.1	Vacuum switch – Air filter			10	Oil filter		
1.2	Dust collector			10.1	Differential pressure switch – Oil filter		
2	Inlet valve			11	Oil cooler		
2.1	Oil filler with plug			11.6	Shut-off valve with hose coupling – Oil drain		
3	Drive motor			12	Minimum pressure check valve		
3.1	Fan motor			13	Air cooler		
4	Airend			13.1	Hose coupling		
4.1	Strainer			16	Dirt trap		
4.2	Pressure switch – Wrong direction of rotation			17	Nozzle		
4.4	Oil collector bottle			18/19	Combined control/vent valve		
5.1	PTC thermistor sensor			18	Control valve		
5.2	PT100 sensor			19	Vent valve		
6	Oil separator tank			20	Shut-off valve – Vent line		
6.1	Pressure gauge			21	Silencer		
6.2	Hose coupling (oil end)			24.4	3/2-Directional control valve		
6.3	Hose coupling (air end)				(amplifies the control volume for the inlet valve)		
6.6	Shut-off valve with hose coupling – Oil drain			53	Coupling		
6.13	Oil level indicator			59.1	Pressure measuring transducer – Air main pressure		
7	Pressure relief valve			59.2	Pressure measuring transducer – Internal pressure		
8	Oil separator cartridge						

<b>KAESER KOMPRESSOREN</b> <small>Ursprung:</small>		<small>P-I Diagram legend</small> DSD 14.1 DSD 171		FSD14/STL-0130.00 Blatt 2 E	
<small>Änderung</small>	<small>Datum</small>	<small>Name</small>	<small>Norm</small>	<small>Ersatz durch:</small>	<small>Ersatz für:</small>
<small>c</small>		<small>Datum</small> 27.02.2001			
<small>b</small>		<small>Bearb.</small> Martin			
<small>a</small>		<small>Gepr.</small> Auner			

**5.4 DUAL Control**


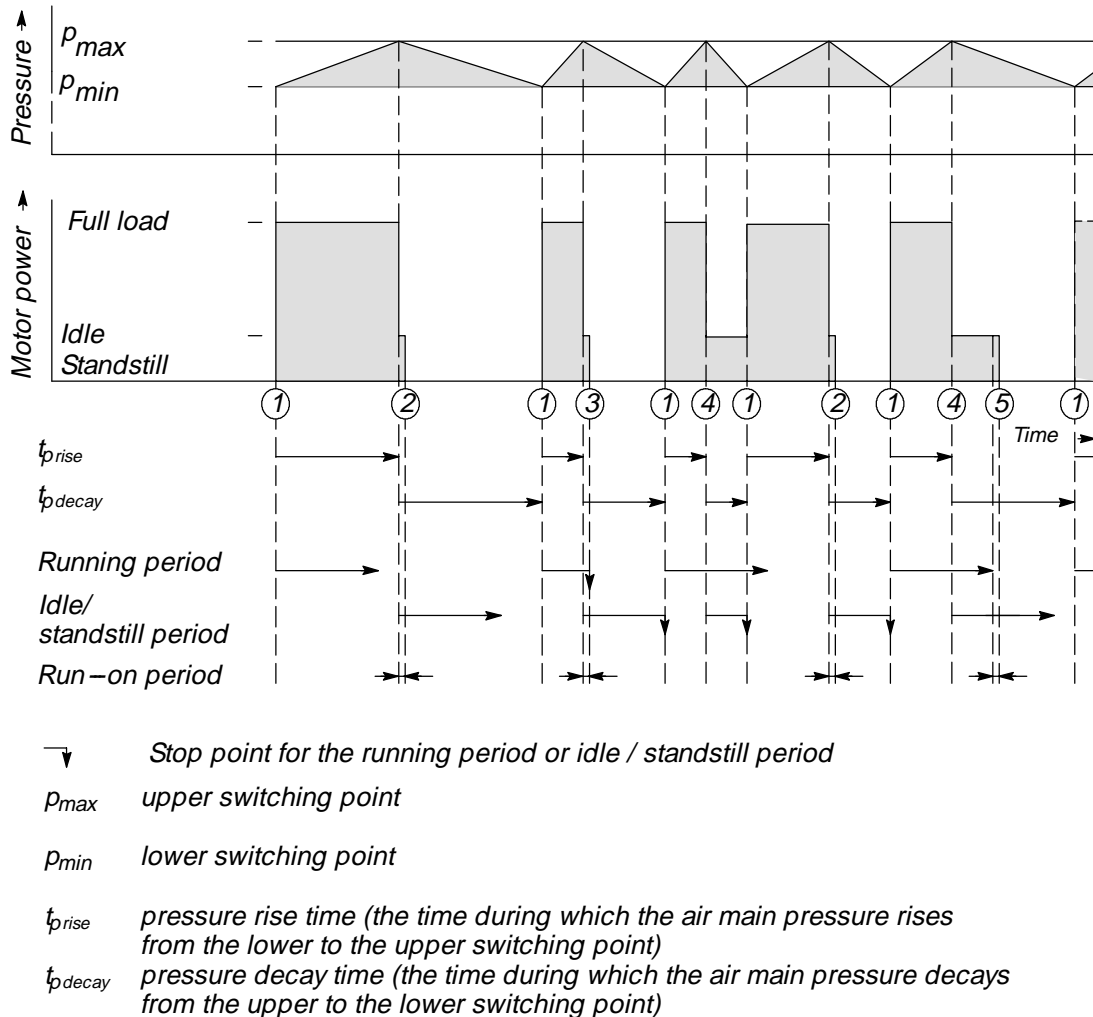
In DUAL Control mode (combined idle and start–stop) the compressor normally runs at **full–load, idle** or **standstill**.

The controller regulates the compressor package between **load** and **idle**.

If the compressor package runs in idle for longer than the preset period (1) to (2), for example  $t_1 = 6$  min, the drive motor is stopped completely (2). When the lower switching point  $p_{min}$  (3) is reached the compressor package is automatically started again. Pressure rises to the upper switching point  $p_{max}$  (4), and the compressor package switches to idle. If the pressure falls again to, for example,  $p_{min}$  (5) within a shorter period (4) to (5), then the compressor is automatically switched from idle to load.

The idle period is dependent on the maximum motor starting frequency.

**5.5 QUADRO Control**



**Functional description**

Two fixed periods – the **running period** and **idle/standstill period** – are taken as the criterion for selection of the operating mode of the compressor package when the air main pressure reaches the upper switching point. These two periods are set according to the maximum permissible starting frequency of the drive motor.

The running period starts every time the compressor package is switched on. It lasts as long as the drive motor runs and stops when the compressor package switches to standstill.

The idle/standstill period starts every time the operating mode changes from full load to idle. It runs during idle and also when the compressor package is switched to standstill after the idle period. It stops when the compressor package switches to full load.

Every switching off point is delayed by the run – on period, during which time the compressor package vents.

The following switching cycles are possible:

- If the air main pressure decays to the lower switching point, the compressor package switches to full load (1) irrespective of its previous operating mode. If the drive motor was at a standstill the opening of the inlet valve is delayed to allow an unloaded compressor package start.



- If the air main pressure rises to the upper switching point and the running period has already expired, the compressor package is switched off after the run–on period has expired (2).
- If the air main pressure rises to the upper switching point before the running period has expired then the pressure decay time of the previous switching cycle is taken as the criterium for the selection of the operating mode:
  - If the pressure decay time  $t_{pdecay}$  was longer than the period set for the idle/standstill period, the compressor package is switched to standstill after the run–on period has expired (3).
  - If the pressure decay time  $t_{pdecay}$  was shorter than the period set for the idle / standstill period, the idle mode is selected (4), that is, the inlet valve closes and the compressor is vented with running motor. When the running period expires the compressor package switches to standstill only after the run–on period has also expired (5).

## 5.6 VARIO Control Mode

### Functional description:

The idle period is automatically lengthened or shortened by the variable idle control in relation to the number of motor starts. The number of motor starts during the preceding hour are measured.

A high switching frequency leads to longer idle periods.

A low switching frequency leads to shorter idle periods.

## 6 Installation

### 6.1 Installation Requirements

**Attention!**

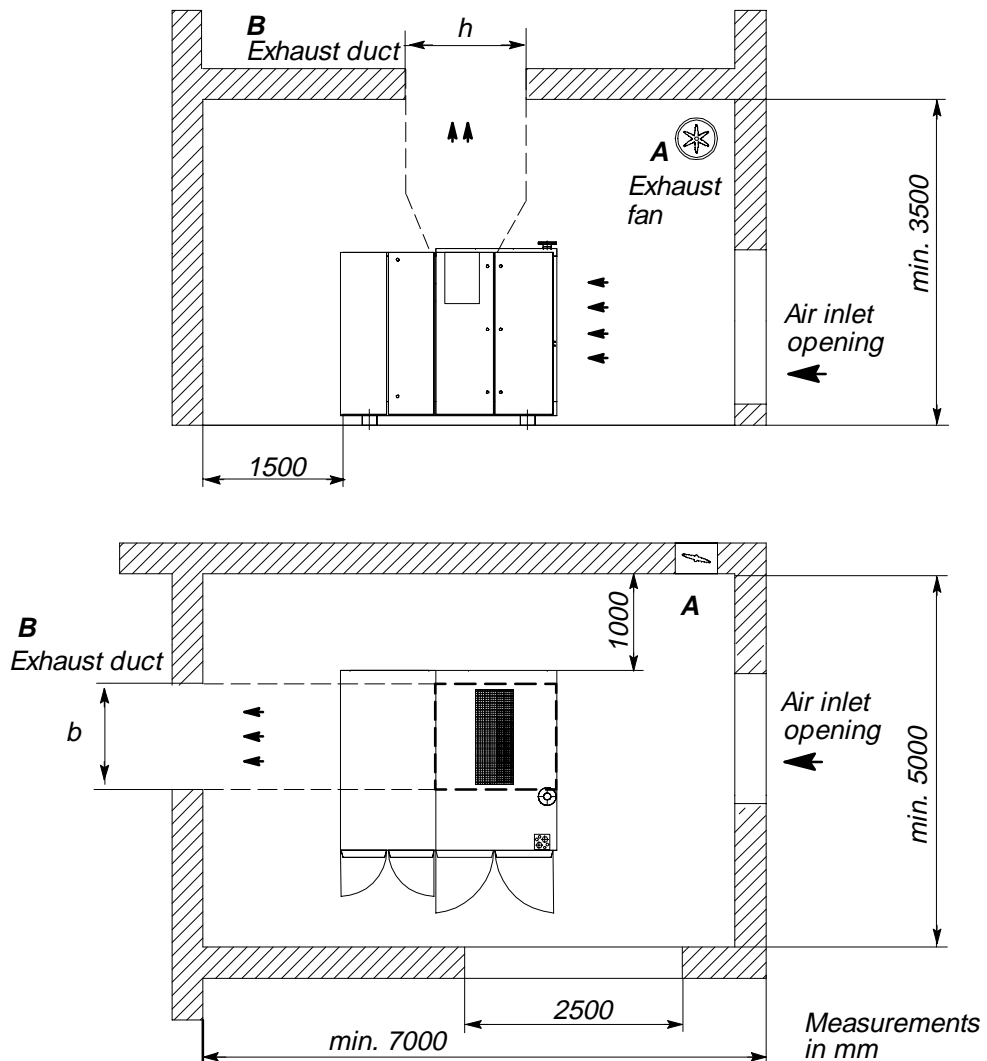
Ensure that the compressor package is level.  
The floor must be solid with good loading characteristics.  
See chapter 1.1 for the weight of the compressor package.

Safe operation of the compressor package is only ensured if the ambient temperature remains within the limits stated in chapter 1.6).

If the compressor package is used in the open, take care that it is protected against the direct rays of the sun and against the ingress of dust and rain.

Install the compressor package as detailed in the following diagram. Keep to the minimum distances shown to allow free access to the compressor package.

Adequate ventilation of the compressor space is ensured only if the minimum values (see chapter 1.6) are adhered to.



#### Solution A: forced ventilation

The exhaust fan fitted in the compressor space must provide adequate ventilation relative to the size of the compressor package (see chapter 1.6).

**Solution B: exhaust air used for space heating**

The hot air is forced through a duct into the room to be heated.

**Attention!**

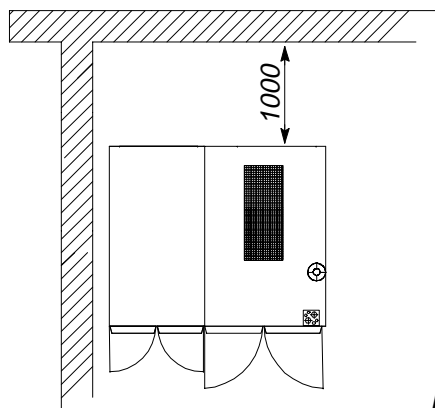
**The choice of exhaust air ducting, length of ducting and number of bends can affect the compressor cooling system and must be approved by the manufacturer.**

Reliable, safe operation of the compressor package is only warranted if the temperature limits (see chapter 1.6) of the air in the compressor space are kept to.

Further information on the discharge air ducts can be found in chapter 1.10.

**Attention!**

**In confined places, the minimum distance between one side of the compressor package and any wall can be reduced. It is imperative that the minimum distance shown in the drawing is kept to, to allow servicing work to be carried out without hindrance.**



*Measurements in mm*

**6.2 Air Connection**

The compressor package is piped ready for operation. Before initial start it must be connected to the air main with a flexible hose or axial compensator.

**6.3 Electrical Connection**

**The connection to the main power supply and the protective measures required are to be carried out by an authorized electrician to the requirements of European Standard EN 1012-1 and EN 60204-1 and to the regulations of the local electricity authority.**

The compressor package is wired ready for connection to the main power supply as detailed in the electrical diagram.

**Attention!**

**The user of a compressor is obliged to carry out the following measures:**

**Compressor packages fitted with a drive motor greater than 3 kW and a current rating greater than 16 ampere must be installed with a lockable main isolating switch and main fuses.**

**The type of main switch used is dependent on the power consumption of the drive motor (see chapter 1.4 for the value).**

**The type of protective power circuit breaker used is dependent on the starting characteristic of the drive motor.**

**Attention!**

The cross-section of the supply cable and the fuse ratings are specified to DIN VDE 0100 part 430 and 523 for an ambient temperature of 30 °C. For other operating conditions, e.g. higher ambient temperatures or longer supply lines (over 50 m) check and determine the cross-section of the cable and the fuse ratings according to DIN VDE 0100 and local electricity authority regulations.

See chapter 1.4 for recommended cable cross-sections and fuses.

**Attention!**

The compressor package can be operated over a rated voltage range of 380V to 420V at a tolerance of  $\pm 5\%$  without reduction in performance because of the wide voltage range of the winding fitted in the drive motor.

If the compressor is operated at a mains voltage other than 400V then the tapplings on the control transformer must be changed to  $-5\%$  for a mains voltage of 380V or  $+5\%$  for a mains voltage of 420V.

## 7 Initial Start–up

### 7.1 Points to be Noted before Initial Start–up

Every compressor is given a test run in the factory and carefully checked before shipment. The test run confirms that the compressor conforms to specifications and runs perfectly. However, independent of the checks made at the factory, the compressor could be damaged during transport. For this reason, we recommend that the compressor package is examined for such possible damage. Observe the compressor package carefully during the first hours of operation for any possible malfunction.

**Attention!**

**Important functional components in the compressor package (such as minimum pressure/check valve, pressure relief valve, inlet valve and combination valve) are adjusted and fitted in the factory to precise setting up regulations. Alterations to these components are not allowed without previous consultation with the manufacturer.**



**The minimum pressure/check valve, pressure relief valve and inlet valve are spring biased. There is considerable danger of injury through the release of the spring when these components are opened.**

### 7.2 Observe the following before starting:



**NON-OBSERVANCE OF THESE OR OTHER INSTRUCTIONS (WARNING; ATTENTION) CAN LEAD TO ACCIDENTS CAUSING INJURY TO PERSONNEL OR DAMAGE TO EQUIPMENT.**

**The compressor starts automatically again when power returns after a power failure (standard setting). This is conditional on system pressure being lower than the pressure setpoint (cut–out pressure) on SIGMA CONTROL.**

**Operation of the compressor with inspection doors open or cover panels removed is strictly forbidden, as injury can result from rotating parts or electrical components.**

- ☞ Remove all packing materials, tools and transport devices on and in the machine.
- It is expected that safe working methods are used and that all locally applicable operational and safety regulations are complied with.
- The user is responsible for the safe operating condition of the compressor package.
- Do not operate this compressor package in environments where the air is heavily contaminated with dust or where toxic or inflammable gases may be present.
- Do not connect the compressor package to a power supply different to that shown on the nameplate.
- Do not install the compressor package in an environment subject to freezing temperatures. The air temperature specified for the air–intake must be kept to (see chapter 1.6).
- If exhaust ducting is fitted, it must have a cross sectional area at least equal to the cooling air outlet on the compressor package itself, and may not create a pressure drop greater than that specified by the compressor manufacturer.

- The compressor must be positioned with its cooling air inlet opening at least 1 m from any wall.
- ☞ Check the cooling fluid level in the fluid separator tank (see chapter 9.12).
- The airend shaft must rotate in the correct direction (see chapter 7.4).
- ☞ The shut-off valves (6.6 and 11.6, see chapter 5.3) must be closed.
- ☞ The shut-off valve (20, see chapter 5.3) must be open.



**Carry out the following work only when power is removed from the compressor package.**

**Check all screws on the electrical connections for tightness (carry out this check again after 50 operating hours).**

- This compressor package is fitted with a running-in oil filter. Replace the filter after the running-in period of 200 hours has elapsed (see chapter 9.11).

### 7.3 Checklist

- Is the floor at the place of installation solid and level?  
 yes  no
- Is the space large enough for the compressor package or its components?  
 yes  no
- Are inlet and exhaust air apertures available in sufficient size and number?  
 yes  no
- Are all components of the compressor package easily accessible?  
 yes  no
- Is the power supply cable of sufficient cross-section?  
(have electrical connection carried out by qualified electrician or company familiar with local conditions)  
 yes  no
- Is a shut off valve fitted by the user?  
 yes  no
- Is a flexible connecting hose or axial compensator fitted between the compressor package and the air main?  
 yes  no
- Have all screws, bolts and electrical connections been checked for tightness?  
 yes  no
- Has the oil level in the oil separator been checked?  
 yes  no
- Is a main switch fitted (suited to the motor starting characteristics)?  
 yes  no
- Has the setting of the drive motor overload current trip been checked?  
 yes  no
- Have you ensured that there are no other air components located in the exhaust air flow of the compressor package?  
 yes  no
- Have service personnel been instructed on safety regulations?  
 yes  no

## 7.4 Direction of Rotation Check

**Attention!**

The compressor package is wired for connection to a clockwise phase sequence.

A check of the direction of rotation can be made by testing the phase sequence.

Arrows showing the direction of rotation are located on the motor and on the air end housing.

If the direction of rotation is incorrect, change over the supply conductors L1 and L2.

**Attention!**

If the air end rotates in the wrong direction, the compressor package is automatically shut down by the pressure switch (4.2, see chapter 5.3).

## 7.5 Setting up the Motor Overload Trip



Disconnect the supply voltage to the compressor package by switching off and locking out the main switch before any adjustments are carried out on the compressor package. See chapter 2.3 for the main switch.

The trip is set to the standard adjustment at the factory.

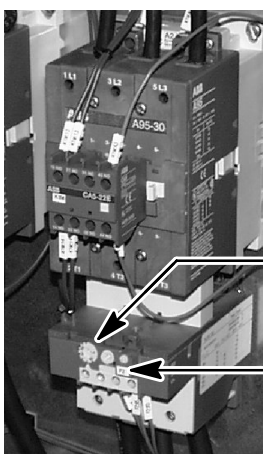
### Compressor motor: star–delta start

In the star–delta configuration the phase current is fed via the motor overload trip. This phase current is 0.58 times the rated motor current.

See motor nameplate for the rated motor current.

### Value:

To prevent the overload circuit breaker from triggering (because of voltage fluctuations, temperature influences or component tolerances), the set value can be up to 15% higher than the arithmetical phase current.



- 1 Motor phase current adjustment
- 2 Reset button



## 7.6 Setting the Motor Overload Protection Switch



Before any adjustments are carried out to the compressor package, break the power supply by operating and locking out the main isolating device (main switch) to prevent an accidental compressor start. See chapter 2.3.

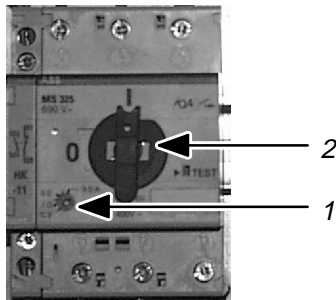
The standard setting is made at the factory.

### Fan Motor: direct on–line start

In direct on–line start the starting current is fed via the motor overload protection switch. See the nameplate on the motor for rated motor current.

### Setting:

This can be set to a maximum of 10% higher than the rated motor current to prevent triggering of the motor overload protection switch under conditions of voltage fluctuation.



- 1 Motor phase current
- 2 Adjusting lever

## 7.7 Setting the Air Main Pressure Threshold

The air main pressure threshold is preset at the factory. It can be changed in SIGMA CONTROL to match customer's operational requirements if the password is known. For further details, consult the SIGMA CONTROL service manual.

**Attention!**

Switching from full load to idle running may take place no more frequently than 2 times per minute.

Switching frequency can be improved by increasing the difference between cut–in and cut–out pressure.

In addition, a larger air receiver can be installed to increase buffer capacity.

## 7.8 Measures to be taken before Initial Start

Take the following measures before initial start, after an oil change or a shutdown period of three months or longer:

### 7.8.1 Pour a small quantity of oil into the air inlet port.



**Switch off and lock out the main switch.**



**Do not add oil unless the compressor package is completely vented.**

**See chapter 9.10 to vent the compressor.**

- ☞ Unscrew the filler plug (1) on the inlet valve (2) and pour the prescribed quantity of oil (see chapter 1.7) into the airend.
- ☞ Turn the airend counterclockwise by hand using the coupling.
- ☞ Screw the plug back in again.

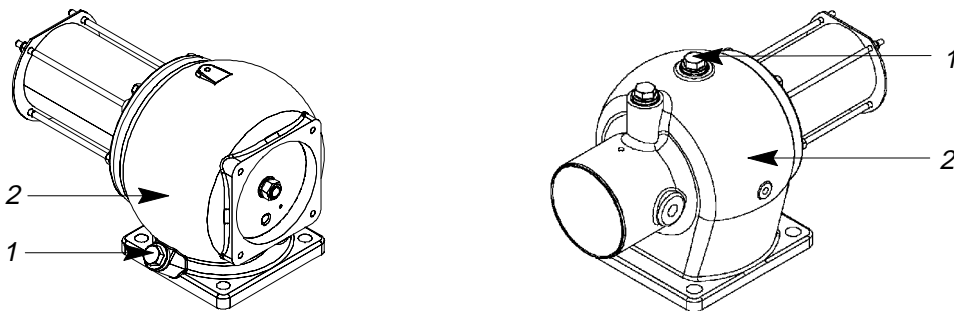
**Attention!**

**This oil must be of the same type as used to run the compressor (see label near the oil filler plug on the oil separator tank).**

**If no additional oil is available then remove the required amount of oil from the oil separator tank. See chapter 9.13 for this procedure.**

**If the compressor package was shut down for longer than 12 months, further measures must be taken before putting it back into operation. Consult the manufacturer first.**

- ☞ Open the shut-off valve between the compressor package and the air main.



- 1 Filler plug
- 2 Inlet valve

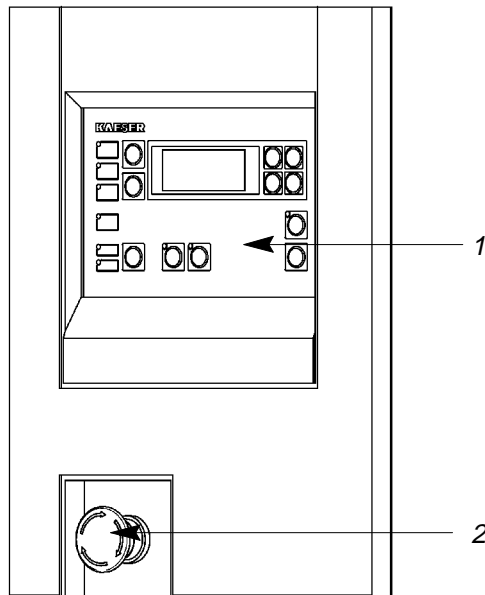
### 7.8.2 Running the compressor package in idle

At initial start run the compressor package in idle for 20 seconds by pressing the load/idle key (5, see chapter 8.3.1).

This measure ensures that the compressor package has sufficient time to flood the oil circulation.

## 8 Operation

### 8.1 Control Panel



- 1 SIGMA CONTROL  
2 EMERGENCY STOP pushbutton

### 8.2 SIGMA controller

The SIGMA controller (1) is fitted in the control cabinet in the compressor package and serves as the control panel. It has 11 keys and 9 LEDs. Operation of the compressor package is determined by the settings programmed into the controller.

Further details on individual function keys, LEDs and plain text display relating to possible alarms and service messages, display of events, etc. are given in the service manual supplied for the SIGMA CONTROL controller.

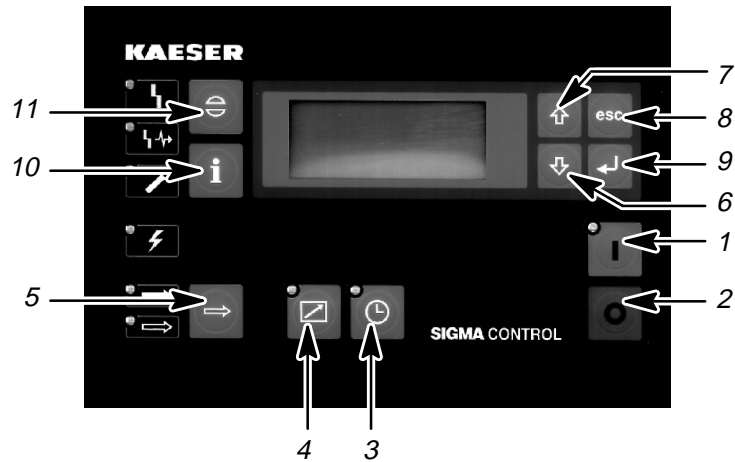
### 8.3 Emergency Stop Pushbutton

The Emergency Stop pushbutton shuts down the compressor package immediately.

If the Emergency Stop pushbutton is pressed because of an existing hazard, then this must be eliminated before the compressor package is reset. To accomplish this the following procedure must be carried out:

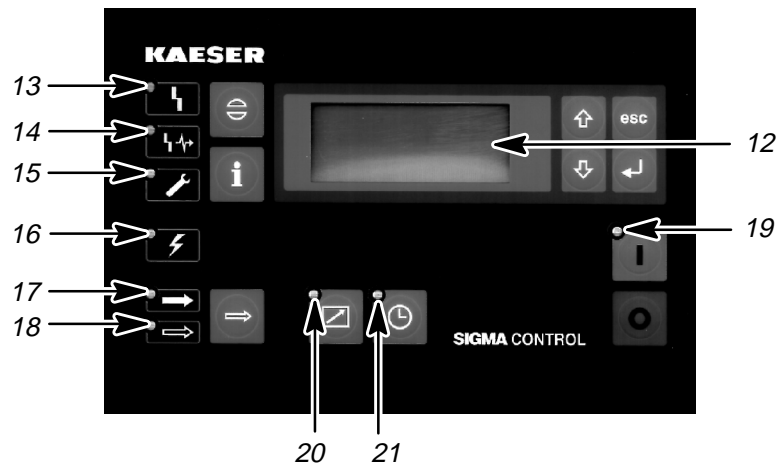
- ☞ Unlatch the Emergency Stop pushbutton by turning in the direction of the arrows.
- ☞ Acknowledge the alarm message on the controller by pressing the acknowledge (reset) key. (function keys see chapter 8.3.1.)

8.3.1 Function keys



- |                    |                            |
|--------------------|----------------------------|
| 1 ON key ("I")     | 6 Menu scroll – DOWN key   |
| 2 OFF key ("0")    | 7 Menu scroll – UP key     |
| 3 Timer ON/OFF key | 8 Escape key               |
| 4 Remote ON key    | 9 Return key               |
| 5 Load/idle key    | 10 Info – event key        |
|                    | 11 Acknowledge (reset) key |

8.3.2 Light emitting diodes and plain text display



- |                                 |                      |
|---------------------------------|----------------------|
| 12 Four–line display            | 17 Load LED          |
| 13 Alarm LED                    | 18 Idle LED          |
| 14 Communication alarm LED      | 19 Compressor ON LED |
| 15 Warning – maintenance LED    | 20 Remote ON LED     |
| 16 Power ON LED (to controller) | 21 Timer ON LED      |

## 8.4 Compressor Package ON/OFF

**Attention!**

Do not switch the the compressor package on and off with the main switch. The compressor must always be switched ON and OFF with keys (1) and (2).

**Local ON:**

☞ Switch on the main switch.

The controller carries out a self–test. The self–test sequence is visible in the display (12). Afterwards, the green LED (16) illuminates permanently.

☞ Press the ON key (1)– LED (19) illuminates.

The compressor status is indicated by LEDs (17) and (18):

**Attention!**

If LED (19) is illuminated and both LEDs (17) and (18) are extinguished the compressor package is at standstill but on duty.

The compressor package can start at any moment.

**Local OFF:**

☞ Press the OFF key (2) – LED (19) extinguishes.

☞ Switch off and lock out the main switch.

See chapter 2.3 for details of the main switch.

## 8.5 Acknowledgement of Alarms

If an alarm occurs the compressor package is shut down immediately and the red LED (13) on SIGMA CONTROL flashes.

The bottom line in the display (12) shows the actual fault causing the alarm.

A list of alarms that may occur during operation is included in the SIGMA CONTROL service manual.

☞ Remove the fault.

☞ Acknowledge alarm with the reset key (11) – LED (13) extinguishes.

The compressor package is now ready to start again.

**Attention!**

If the compressor was shut down with the EMERGENCY STOP push-button, then reset by rotating the latched pushbutton in the direction of the arrow before acknowledging the alarm.

## 8.6 Acknowledgement of Service Messages

When maintenance is due the yellow LED (15) on SIGMA CONTROL flashes.

Maintenance due is shown in the display (12).

A list of service messages that may occur during operation is included in the SIGMA CONTROL service manual.

- ☞ Carry out the maintenance work.
- ☞ Acknowledge service message with the reset key (11) – LED (15) extinguishes.

**Attention!**

**When the respective maintenance has been carried out, the remaining interval period (programmed interval until the next maintenance is due) must be reset.**

Detailed information on resetting service counters is to be found in the service manual for SIGMA CONTROL.

## 8.7 Faults: Possible cause – Remedy



The removal of faults that are not explicitly described in this service manual may only be carried out by KAESER or by an authorised KAESER service agency.

### 8.7.1 Working temperature too high

#### Possible cause:

The distance from the cooling air inlet or outlet is too small.

Insufficient cooling air flow.

Ambient temperature too high.

If ducting is used for cooling air discharge it could be too narrow or too long.

If the machine is air-cooled, the fluid/air cooler could be clogged.

If the machine is water-cooled, the heat exchanger could be clogged by deposits.

Air inlet filter mats clogged.

Fluid level too low.

Thermostatic valve not functioning correctly.

Wrong cooling fluid used.

Fluid filter clogged.

Airend defective.

#### Remedy:

Keep to the minimum distance and ensure sufficient ventilation.

Ensure sufficient ventilation.

Arrange for a supply of cooler air or move the machine to a cooler place (see chapter 1.6).

Have an authorised KAESER service agent install adequately sized ducting.

Clean the fluid/air cooler (see chapter 9.5).

Have an authorised KAESER service agent inspect, clean or replace the heat exchanger as necessary.

Clean or replace the filter mats.

Top up to the correct level with recommended cooling fluid.

Check and clean the dirt trap strainer in the fluid scavenge line.

Check valve spring and activating piston. Replace defective parts.

Drain off old cooling fluid and replace with recommended type.

Ask an authorized KAESER service agent for recommendations on cooling fluid types.

Change the fluid filter (see chapter 9.11).

Have the airend checked by an authorised KAESER service agent.

### 8.7.2 Motor overload protection relay trips

#### Possible cause:

Protection relay is defective or incorrectly set.

Motor runs on two phases; motor defective or one of the customer's fuses blown.

#### Remedy:

Check the wiring and reset the relay if necessary.

Replace a defective overload relay.

Check power supply and wiring.

Change fuse(s) or motor as necessary.

**Possible cause:**

Oil separator cartridge clogged.

Motor starts against pressure as the compressor has not vented.

Airend defective.

Ambient temperature too high.

Motor defective; bearing damage or winding short

**Remedy:**

Check pressure drop over the oil separator cartridge. If necessary, change oil separator cartridge and dirt trap sieve.

Check that the vent line ball valve is open.

Check the venting valve diaphragm and change if necessary.

Have the minimum pressure/check valve inspected by an authorized KAESER Service Technician.

Have the airend inspected by an authorized KAESER Service Technician.

Arrange a supply of cooler air or move the machine to a cooler place (see chapter 1.6)

Have the motor repaired or replaced by an authorized KAESER Service Centre.

**8.7.3 Compressor runs but does not reach pressure.****Possible cause:**

Motor turning in the wrong direction.

Inlet valve not opening or only opening partially.

Venting valve not closing under full load.

Minimum pressure/check valve defective.

Leaks in the machine.

Leaks in the air supply system.

The air demand is greater than the capacity of the compressor.

The maintenance hose/coupling is still plugged into the oil separator or after-cooler.

Pressure relief valve blowing off.

**Remedy:**

Check motor connections.

Have the valve inspected by an authorized KAESER Service Technician.

Check the combination control/venting valve and lines and pipework. Replace defective parts.

Have the valve inspected by an authorized KAESER Service Technician.

Tighten all loose connections, repair or replace defective parts.

Check for open valves, loose connections, defective parts or gaskets, etc. and seal or replace.

Reduce the air demand or install additional compressor capacity.

Remove hose/coupling from the connection point.

see chapter 8.7.5.

**8.7.4 Oil running out of air filter.****Possible cause:**

Oil level in the separator tank too high.

Defective inlet valve.

**Remedy:**

Drain off oil till the correct level reached.

Have the valve inspected by an authorized KAESER Service Technician.



**8.7.5 Too frequent switching between load and idle****Possible cause:**

No air receiver installed or receiver too small to function correctly as a buffer.

Diameter of pipe connecting compressor and air receiver too small.

Minimum pressure/check valve not airtight.

Reduced flow to the air main connection.

**Remedy:**

Refer to a KAESER service agency for advice on correct air receiver size.

The diameter of the air pipe should not be less than that of the air connection.

Have the valve inspected by an authorised KAESER service agent.

Check filter elements for clogging.  
Open any partially opened valves fully.  
Defrost any frozen air lines.  
Replace defective pressure regulator.

**8.7.6 Pressure relief valve blowing off****Possible cause:**

Machine does not vent in idle running.

Oil separator cartridge clogged.

Minimum pressure/check valve not open.

Pressure relief valve not suitable for the compressor's pressure range.

**Remedy:**

Ensure that the venting line ball valve is open. Have an authorized KAESER Service Technician check the control line, inlet valve and control venting valve.

Check the pressure drop and change the cartridge if necessary.

Have the valve inspected by an authorized KAESER Service Technician.

Compare the valve blow-off pressure with the information on the compressor nameplate. If necessary, have an authorized KAESER Service Technician replace the valve.

**8.7.7 Oil in the package****Possible cause:**

Maintenance hose or coupling still plugged into the air receiver connection point.

Pressure relief valve blowing off.

Oil running out of air filter.

Air receiver hose coupling loose.

Oil cooler leaking.

**Remedy:**

Remove hose/coupling from the connection point.

see chapter 8.7.5.

see chapter 8.7.4.

Tighten up hose coupling or replace as necessary.

Have the oil cooler replaced by an authorized KAESER Service Technician.

**8.7.8 Cooling fluid consumption too high****Possible cause:**

Unsuitable cooling fluid used.

**Remedy:**

Replace with recommended cooling fluid.

Refer to authorised KAESER service agent for advice on oil types.

**Possible cause:**

Fluid separator cartridge split.

Fluid separator tank cover not securely fixed.

Fluid level in the separator tank too high.

Fluid scavenge line clogged.

**Remedy:**

Check pressure drop across the separator cartridge and replace if necessary.

Tighten up fixing screws.

Drain off cooling fluid until the correct level is reached.

Check dirt trap strainer in the scavenge line.

Clean or replace as necessary.

## 9 Maintenance

### 9.1 Observe the following during all maintenance and servicing



Work on power-driven systems may only be carried out by trained, supervised or specialised personnel.

Work on electrical equipment in the compressor package may only be carried out by a trained electrician or trained personnel under the supervision of a trained electrician according to electrical engineering regulations.

The compressor starts automatically again when power returns after a power failure (standard setting).

This is conditional on system pressure being lower than the pressure setpoint (cut-out pressure) on SIGMA CONTROL.

Switch off and lock out the main switch before attempting any maintenance work (see chapter 2.3).

Ensure that no maintenance personnel are working on the vacuum package, that all panels are screwed back on again and that all access doors are closed before restarting.

See chapter 8.4 to restart the vacuum package.



The following points must be observed when handling lubricating and cooling materials:

Avoid contact with skin and eyes.

Do not inhale vapours and oil mist.

Do not eat or drink when handling such materials.

Fire, open flame and smoking are strictly forbidden.



Ensure that all lubricants, consumable materials and replacement parts accumulating during operation and servicing of the compressor package are disposed of according to environmental regulations.

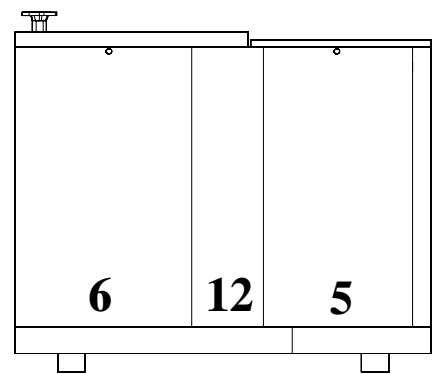
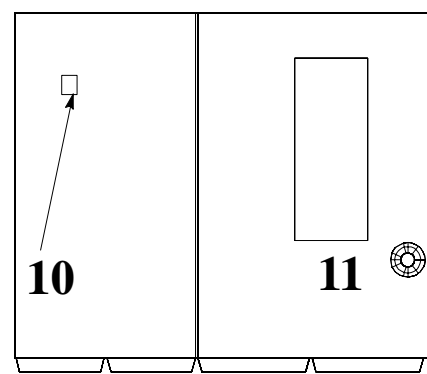
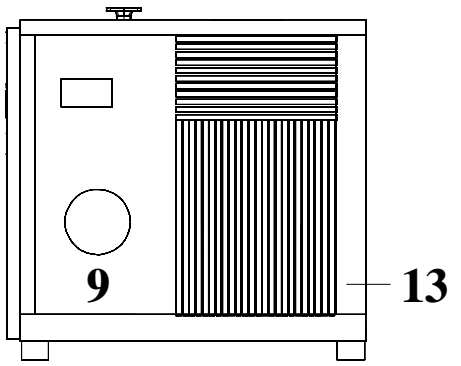
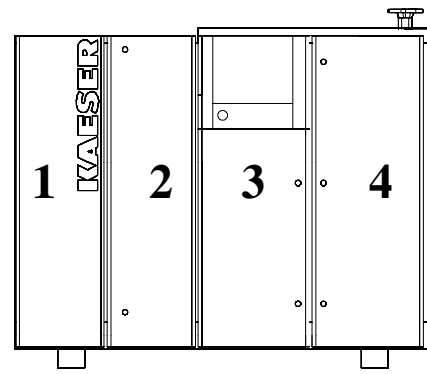
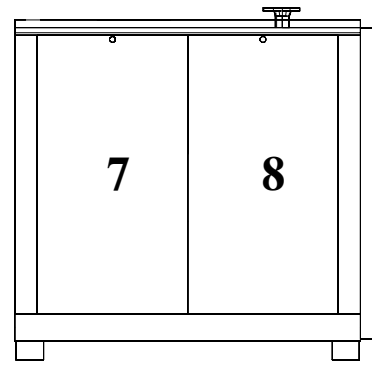
**Attention!**

The plug-in nipple with ball valve and attached hose required to vent the oil separator tank for maintenance work such as topping up the oil, oil changes and filter changes is located under the oil separator tank.

**Attention!**

If the compressor package is installed directly in front of a wall then the accessibility of components may be limited. If necessary, remove further panels.

9.2 Location of Access Doors and Cover Panels



- 1,2 – Access doors
- 3,4 – Control cabinet doors
- 5–11 – Cover panels
- 12,13 – Upright panels

**9.3 Regular Maintenance**

Interval*	Maintenance work	see chapter
50 hours after initial start-up	Check all electrical terminals and tighten if necessary	
200 hours after initial start-up	Change fluid filter	9.11
weekly	Check fluid level	9.12
	Check fluid leak bottle	9.4
Indicated by SIGMA CONTROL	Clean or change air filter	9.6
	Change fluid filter	9.11
	Changing the fluid separator element	9.14
1000 h	Check fluid/air cooler for clogging	9.5
2000 h or at least annually	Grease the motor bearings	9.7
3000 h	Check the coupling	9.8
up to 3000 h, yearly at the latest	Change fluid filter	9.11
Variable (see chapter 1.8)	Change the cooling fluid	9.13
annually	Check all electrical terminals and tighten if necessary	
	Check the pressure relief valve	9.9
12000 h	Have the valves inspected by an authorized KAESER service agency	
up to 6000/12000 h, at the latest every 3 years	Change the fan motor bearings	9.7
up to 20000/36000 h, at the latest every 8 years	Change the drive motor bearings	9.7

\* The maintenance interval may change according to the motor starting frequency and ambient conditions.

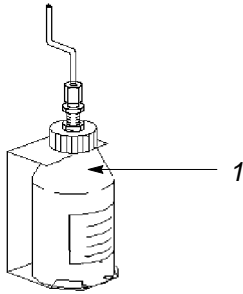
We strongly recommend keeping a maintenance record (see chapter 9.17) and to have the compressor package, particularly the safety devices, checked annually by an authorised KAESER service agent.

#### 9.4 Oil Leak Collector Bottle

On airends with a sliding ring seal a small amount of oil may penetrate through this type of seal.

This small leakage is directed into an oil leak collector bottle located underneath the air-end.

Check the oil level in the oil leak collector bottle weekly. Contact KAESER COMPRESSORS if leakage becomes excessive.



1 Oil leak collector bottle

### 9.5 Cleaning the Oil Cooler and Air Cooler

The oil cooler and air cooler must be checked for clogging regularly. Heavy clogging may cause high temperatures in the oil circulation.

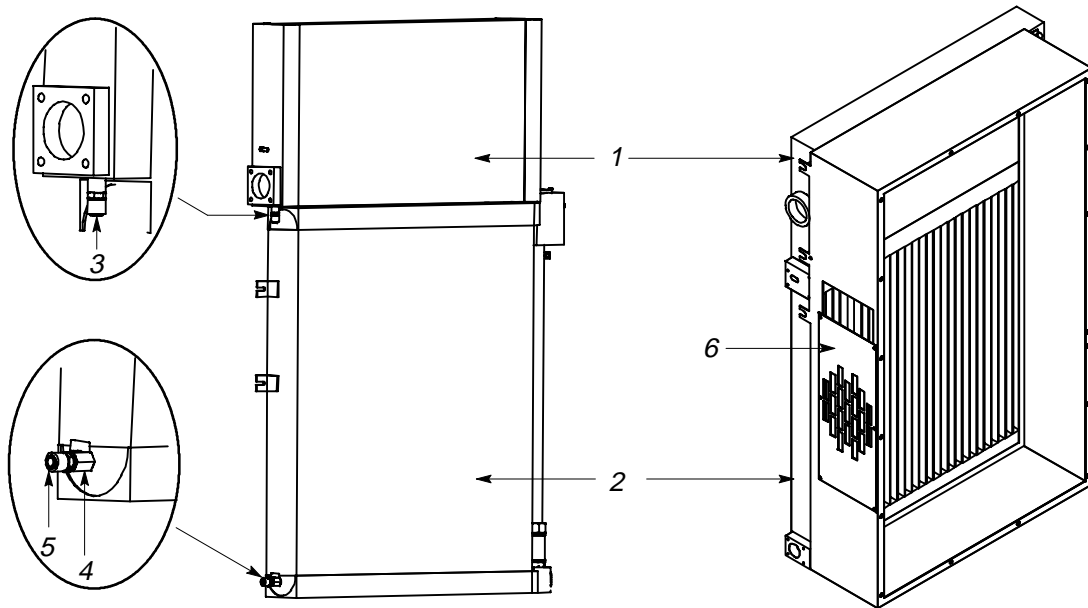
See regular maintenance table for cooler service interval (chapter 9.3).

☞ Switch off the compressor unit under full load (see chapter 8.4).



**Switch off and lock out the main switch to prevent an accidental compressor start.**

☞ Remove cover panel (6, see chapter 9.2).



- 1 Air cooler
- 2 Oil cooler
- 3 Air cooler hose coupling
- 4 Shut-off valve
- 5 Oil cooler hose coupling
- 6 Cover plate

☞ Remove the cover plate (6).



**Never direct compressed air at persons. It is contained energy and as such is dangerous to life!**

**Always wear eye protection when blowing out the coolers.**

☞ Blow out the cooler from inside to outside and vacuum the dust.

☞ Replace the cover plate (6).

**Attention!**

**If the coolers are badly clogged they should be cleaned by an authorized KAESER Service agency.**

☞ Close all access doors and fit all cover panels.

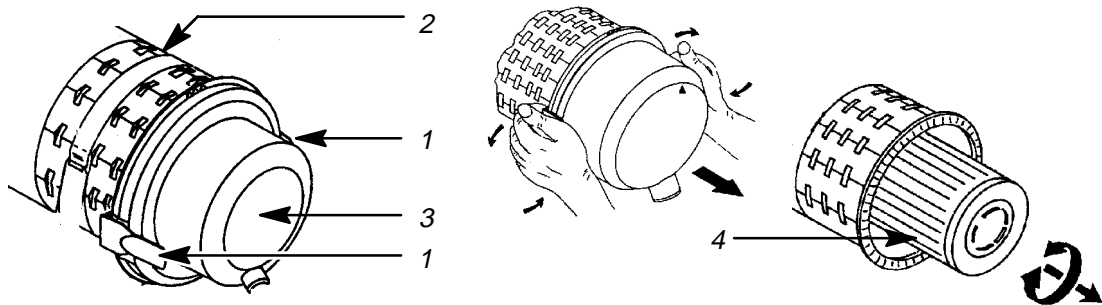
## 9.6 Cleaning or Renewing the Air Filter

Clean the air filter when the corresponding service message on the SIGMA CONTROL is displayed (see chapter 8.1). Change the air filter cartridge after two years use at the latest.

- ☞ Stop the compressor package (see chapter 8.4).



**Switch off and lock out the main switch to prevent an accidental compressor run.**



- 1 Snap fastener for opening the air filter housing
- 2 Air filter
- 3 Dustcap
- 4 Air filter cartridge

- ☞ Open the access doors (1 and 2, see chapter 9.2).

### To open the air filter housing:

- ☞ Open the snap fasteners (1) on the dust cap (3) and remove the dust cap (3), with the insert.
- ☞ Take the insert out of the dust cap (3).
- ☞ Pull out the air filter cartridge (4) by turning lightly.
- ☞ Clean the air filter housing, dust cap, insert and sealing surfaces.

### Cleaning the air filter cartridge (4) by tapping:

- ☞ Tap the air filter cartridge several times on the front with the ball of the hand.

**Attention!** Do not use force otherwise the air filter cartridge may be damaged.

- ☞ Clean all sealing surfaces.

### Cleaning the air filter cartridge with compressed air:

- ☞ Blow dry compressed air at a pressure of not more than 5 bar at a slant from the inside to the outside of the air filter cartridge surfaces.

**Attention!** Do not clean the air filter cartridge with fluids. If the air filter cartridge is heavily contaminated or was already cleaned several times (max. five times), renew.

### To close the air filter housing:

- ☞ Insert the air filter cartridge (4).

**Attention!** Note the insertion mark on the dust cap.

- ☞ Guide the insert into the dust cap (3).
- ☞ Replace the dust cap (3) and close the snap fasteners (1).
- ☞ Close all access doors and fit all cover panels.



## 9.7 Servicing the Electric Motor

### Drive motor:

The bearings can be greased using the external grease nipples.

See chapter 1.9 for greasing periods, quantity and approved greases.

Grease the bearings at the correct interval (chapter 1.9) from the external grease nipples while the motor is running. The grease pipes from the bearings to the nipples are full on delivery.

See chapter 1.10 for the location of the grease nipples.

**Attention!**

**Motors manufactured to IP 55 protection have no outlet bores for the grease. The motor bearings must be renewed by an authorized KAESER Service agency after the maintenance interval (see chapter 1.9) quoted has elapsed.**



**The bearing covers and/or the end shields must be removed and the old grease disposed of according to environmental regulations when the motor bearings are changed.**

### Fan motor:

The bearings of the fan motor are permanently greased.

**Attention!**

**Have the bearings renewed by an authorized KAESER Service agency when the maintenance interval has elapsed (see chapter 1.9).**

## 9.8 Coupling

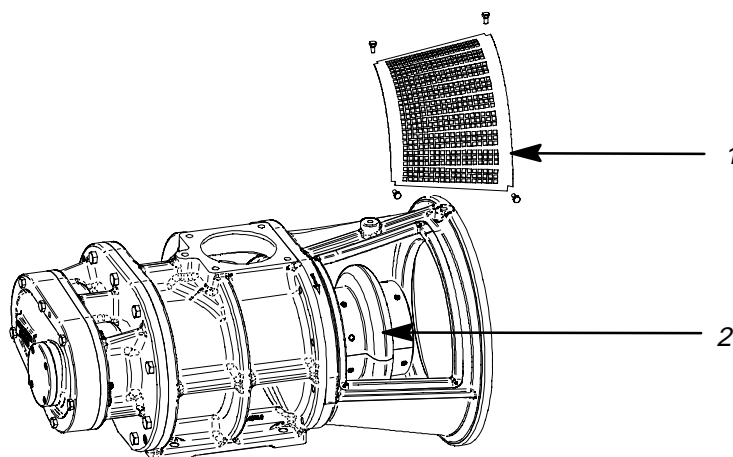
Visually check the coupling regularly and carefully when the operating hours quoted in the maintenance routine have expired (see chapter 9.3 ).

Pay attention to smooth running and surface cracks.

- ☞ Remove cover panel (3, see chapter 9.2).
- ☞ Visually check the rotating coupling for smooth running.
- ☞ Shut down the compressor package (see chapter 8.4).



**Switch off and lock out the main switch to prevent an accidental compressor start.**



- 1 Safety screen
- 2 Coupling

- ☞ Unscrew the safety screen (1)
- ☞ Rotate the coupling (2) by hand and check for damage.

**Attention!**

**If the coupling is damaged have it replaced by an authorised KAESER service agent.**

- ☞ Replace the safety screen (1).
- ☞ Close all access doors and fit all cover panels.

## 9.9 Checking the Pressure Relief Valve on the Oil Separator Tank

To check the operating pressure of the pressure relief valve the final pressure of the compressor package must be increased above the pressure parameter entered in the controller.

See chapter 1.5 for the operating pressure of the pressure relief valve.

**Attention!**

**The pressure relief valve must be checked by an authorized KAESER service agency when the interval quoted in the regular maintenance table (see chapter 9.3) has expired.**

**Detailed information is to be found in the service manual for SIGMA CONTROL.**

## 9.10 Venting the Compressor Package

- ☞ Shut down the compressor package (see chapter 8.4).

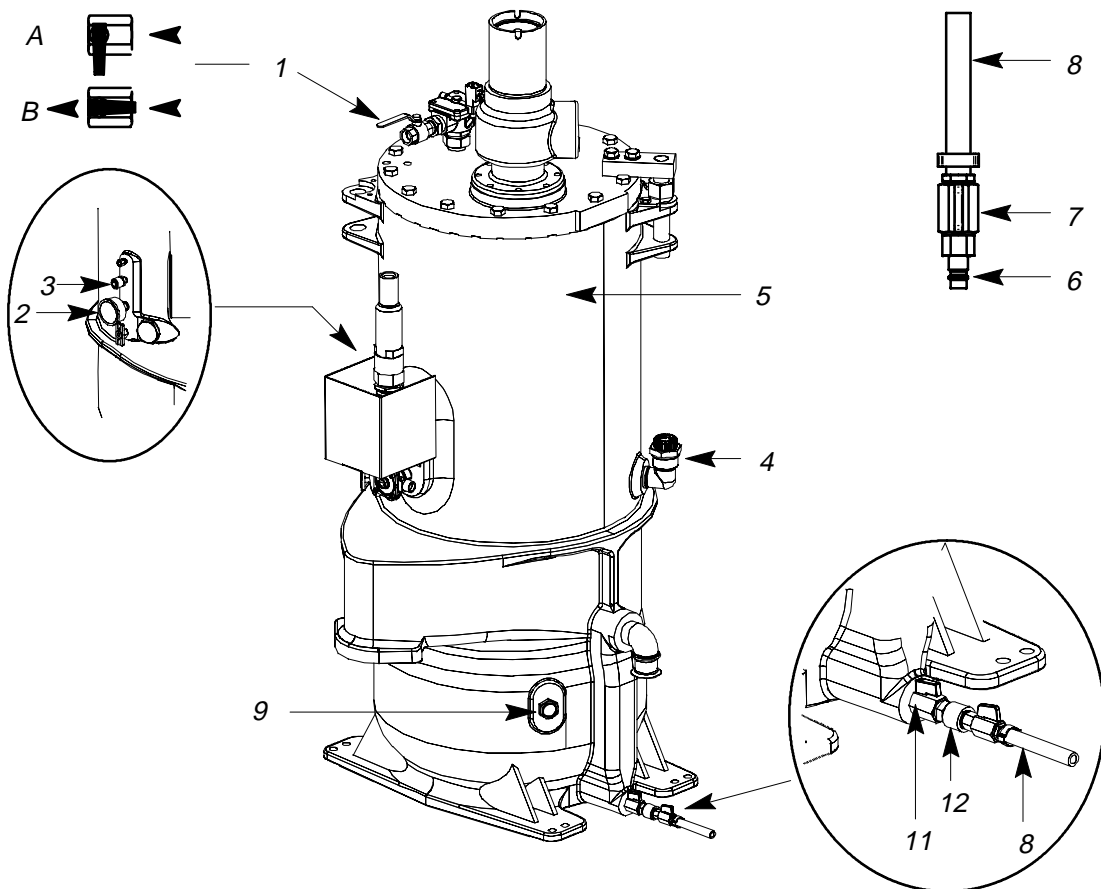


**Switch off and lock out the main switch to prevent an accidental compressor run.**

- ☞ Close the shut-off valve between the compressor package and the air main.

The oil circulation vents automatically.

**Venting the oil separator tank:**



- |                                       |                                      |                            |
|---------------------------------------|--------------------------------------|----------------------------|
| 1 Shutoff valve<br>A closed<br>B open | 4 Threaded plug<br>(topping off oil) | 8 Maintenance hose         |
| 2 Pressure gauge                      | 5 Oil separator tank                 | 9 Oil level indicator      |
| 3 Hose coupling                       | 6 Plug-in nozzle                     | 11 Oil drain shutoff valve |
|                                       | 7 Ball valve                         | 12 Hose coupling           |

- ☞ Remove cover panels (5 and 9, see chapter 9.2).
- ☞ The pressure gauge on the oil separator tank must indicate zero bar.



**Oil mist can escape when the oil separator tank is vented.**

- ☞ Insert the nipple with attached hose (6) – **ball valve closed** – in the hose coupling (3) on the oil separator tank.
- ☞ Slowly open the ball valve (7) and the remaining pressure in the oil separator tank escapes.
- ☞ Remove the nipple with attached hose (6) from the hose coupling (3) on the oil separator tank.

**Venting the air cooler:**

- ☞ Insert the nipple with attached hose (6) – **ball valve closed** – in the hose coupling (3, chapter 9.5) on the air cooler.
- ☞ Slowly open the ball valve (7), the air cooler and pipework up to the minimum pressure/check valve are depressurized.

- ☞ Remove the nipple with attached hose (6) from the hose coupling on the air cooler.

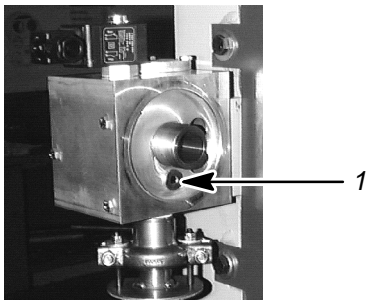


**Close all access doors and panels correctly before starting the compressor package.**

## 9.11 Oil Filter Change



**Hot oil; beware of scalding.**



1 Screw plug

A special oil filter is fitted to clean the oil system during the running in period, during which time the main oil bore in the combination valve is closed with a screw plug.

**Attention!**

**Replace the special oil filter with a standard oil filter after approximately 200 service hours. Ensure that the screw plug is removed from the main oil bore in the combination valve.**

A further filter change is recommended after the interval quoted in the regular maintenance table (see chapter 9.3) or when the corresponding service message is displayed on SIGMA CONTROL (see chapter 8.1). The filter must be changed after every oil change.

### 9.11.1 Removal and replacement of the oil filter

- ☞ Shut down the compressor package under full load (see chapter 8.4).



**Switch off and lock out the main switch to prevent an accidental compressor run.**

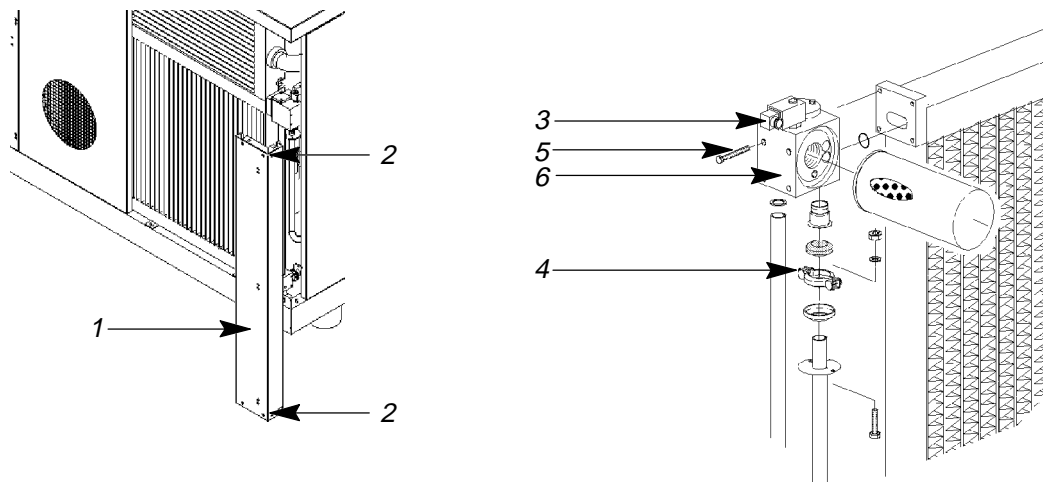


**Before opening or removing pressurized components (pipes, hoses, tanks, etc.) it is imperative that the compressor package is completely depressurized.**

- ☞ Venting the compressor package (see chapter 9.10).
- ☞ Remove cover panel (6, see chapter 9.2).

**Attention!**

**If, because of lack of space, the oil filter is not accessible then remove the corner post (1) and the oil filter together with its components. Re-assemble in the reverse order correspondingly.**

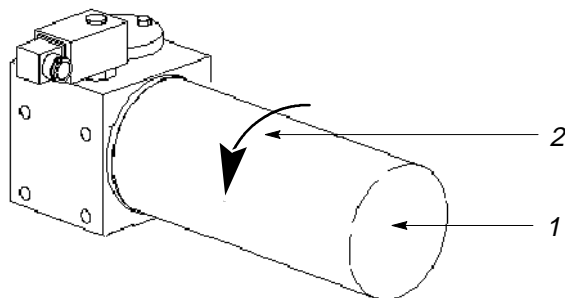


- |   |             |   |                          |
|---|-------------|---|--------------------------|
| 1 | Corner post | 2 | Screw                    |
| 3 | Screw       | 4 | Flexible pipe connection |
| 5 | Bolt        | 6 | Combination valve        |

- ☞ Remove the corner post (1) by unscrewing the screws (2).
- ☞ Unscrew the screw (3) and pull out the plug.
- ☞ Open the flexible pipe connection (4).

**Attention!** Oil can leak out of the openings.

- ☞ Remove the bolts (5) on the combination valve (6).
- ☞ Take out the combination valve (6) and hold with a suitable jig.



- 1 Oil filter cartridge
- 2 Turn in this direction to unscrew the cartridge

- ☞ Spin off the used or contaminated oil filter counter-clockwise and catch escaping oil in a suitable container.



**Dispose of the used filter and used oil carefully according to environmental regulations.**

- ☞ Clean the sealing faces carefully with lint free cloth.
- ☞ Lightly oil the gasket of the new oil filter before screwing into position.
- ☞ Spin on the new oil filter clockwise by hand until the gasket fits tightly.

**Attention!** Do not use a tool as this may cause damage to the oil filter and the gasket.

- ☞ Check the oil level (see chapter 9.12).
- ☞ Close all access doors and fit all cover panels.
- ☞ Open the shut-off valve between the compressor package and the air main.



**Carry out a trial run.**

**When the operating temperature is reached (see chapter 1.1) shut down the compressor package (see chapter 8.4) and lock out the main switch to prevent an accidental compressor run.**

**Carry out a visual check for leaks.**

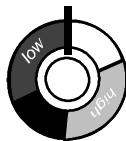
## 9.12 Topping up the cooling fluid

The fluid level shown by the indicator (9) should be checked weekly with the machine at operating temperature and under load. The machine should be topped up with cooling fluid as soon as the “minimum fluid level” (1) (border of green and red) is reached.

For the quantity of fluid needed to top up to “maximum fluid level” (3) see chapter 1.7.

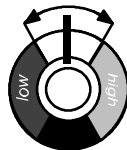
**Attention!**

**The machine may only be operated when the fluid level indicator is in the green zone.**



1

1 Lowest oil level



2

2 Optimum oil level



3

3 Highest oil level

- ☞ Check the oil level when the machine is under full load and at operating temperature.
- ☞ Shut down the compressor package under full load (see chapter 8.4).



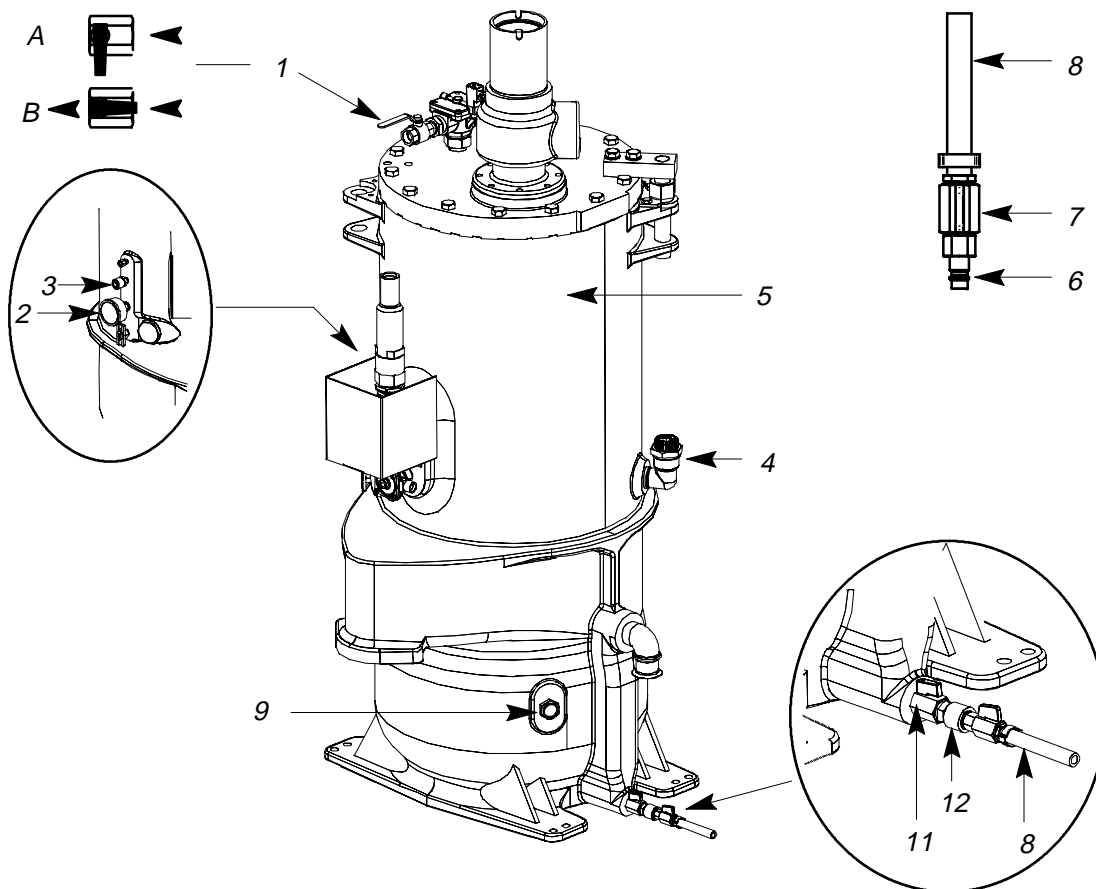
**Switch off and lock out the main switch to prevent an accidental compressor run.**

- ☞ Remove cover panel (5, see chapter 9.2).



**Before opening or removing pressurized components (pipes, hoses, tanks, etc.) it is imperative that the compressor package is completely depressurized.**

- ☞ Venting the compressor package (see chapter 9.10).



- |                                       |                                      |                            |
|---------------------------------------|--------------------------------------|----------------------------|
| 1 Shutoff valve<br>A closed<br>B open | 4 Threaded plug<br>(topping off oil) | 8 Maintenance hose         |
| 2 Pressure gauge                      | 5 Oil separator tank                 | 9 Oil level indicator      |
| 3 Hose coupling                       | 6 Plug-in nozzle                     | 11 Oil drain shutoff valve |
|                                       | 7 Ball valve                         | 12 Hose coupling           |

- ☞ Unscrew the oil filler plug (4) on the oil separator tank.
- ☞ Fill with oil up to the maximum indicator level. See chapter 1.7 for the oil volume needed to increase the indicated level from minimum to maximum.
- ☞ Check the sealing ring of the filler plug (4) for damage and then replace the filler plug.
- ☞ Close all access doors and fit all cover panels.
- ☞ Open the shut-off valve between the compressor package and the air main.

**Attention!**

After carrying out the oil change or oil cooler cleaning (with removal of the oil cooler) run the compressor package up to operating temperature to ensure that the combination valve closes and that the oil cooler is flooded with oil.

Afterwards, repeat the procedures “Venting the Compressor Package” (chapter 9.10) and “Topping up the Oil” (chapter 9.12).

**Attention!**

Always use the same brand and type of oil when topping up (see label on the oil separator tank).

If the type of oil is changed, drain the old oil completely and renew the oil filter.

Never use different types of oil.

**9.13 Oil Change (Oil Separator and Oil Cooler)**

Carry out the oil change with the compressor at operating temperature.



**Hot oil; beware of scalding!**

The oil change interval is dependent on the degree of cooling air contamination and on the ambient temperature.

If the compressor package is operated close to the maximum permissible ambient temperature (see chapter 1.6), the oil must be changed more often, if necessary, the interval should be halved.

See regular maintenance table (chapter 9.3) for oil change interval.

**Attention!**

**Drain the oil out of the separator tank, cooler and the pipework completely. See chapter 9.13.4 for putting back into operation.**

☞ Shut down the compressor package under full load (see chapter 8.4).



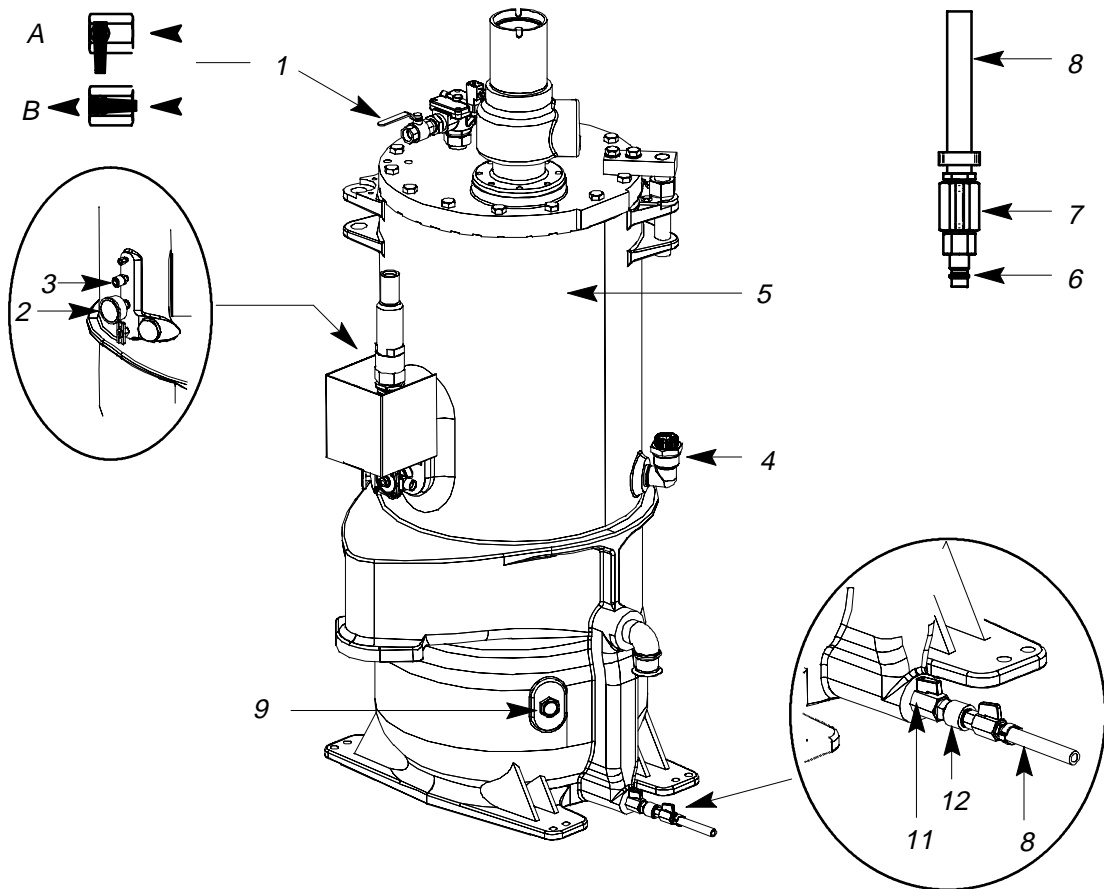
**Switch off and lock out the main switch to prevent an accidental compressor run.**



**Before opening or removing pressurized components (pipes, hoses, tanks, etc.) it is imperative that the compressor package is completely depressurized.**

☞ Venting the compressor package (see chapter 9.10).





- 1 Shutoff valve  
A closed  
B open
- 2 Pressure gauge
- 3 Hose coupling

- 4 Threaded plug  
(topping off oil)
- 5 Oil separator tank
- 6 Plug-in nozzle
- 7 Ball valve

- 8 Maintenance hose
- 9 Oil level indicator
- 11 Oil drain shutoff valve
- 12 Hose coupling

☞ Remove cover panels (5, 6 and 9, see chapter 9.2).

### 9.13.1 Draining the oil using external pressure source

#### Draining the oil on the oil separator tank:

- ☞ Insert the nipple with attached hose (6) – **ball valve closed** – in the hose coupling (3) on the oil separator tank (5).
- ☞ Apply separate pressurization to the attached hose. Pressurize the oil separator tank (5) by slowly opening the ball valve (7) until the pressure gauge (2) on the oil separator tank (5) shows approximately 3 bar.
- ☞ Remove the nipple with attached hose (6) from the hose coupling (3) on the oil separator tank (5).
- ☞ Prepare a clean container to catch escaping oil.

**Attention!**

**The container must be large enough to hold the total oil content of the compressor package (see chapter 1.7).**

- ☞ Insert the nipple with attached hose (6) – **ball valve closed** – in the hose coupling (12) on the oil separator tank (5).

- ☞ Hang the attached hose into the container and secure.
- ☞ Open the shut-off valve (11).
- ☞ Slowly open the ball valve (7). The remaining pressure in the oil circulation forces out the oil. When air escapes, close the ball valve (7) immediately.
- ☞ Close the shut-off valve (11).
- ☞ Remove the nipple with attached hose from the hose coupling (12) on the oil separator tank (5).

**Draining the oil on the oil cooler:**

- ☞ Place the oil container under the oil cooler.
- ☞ Insert the nipple with attached hose (6) – **ball valve closed** – in the hose coupling (5, chapter 9.5) on the oil cooler.
- ☞ Hang the attached hose into the container and secure.
- ☞ Open the shut-off valve (4, see chapter 9.5).
- ☞ Slowly open the ball valve (7) (the remaining pressure in the oil separator tank escapes).
- ☞ Close the shut-off valve (4, see chapter 9.5).
- ☞ Remove the nipple with attached hose from the hose coupling (5, chapter 9.5) on the oil cooler.



**Dispose of the used oil according to environmental regulations.**

- ☞ Open the ball valve (1).

**9.13.2 Adding oil**

**Before opening or removing pressurized components (pipes, hoses, tanks, etc.) it is imperative that the compressor package is completely depressurized.**

- ☞ Venting the compressor package (see chapter 9.10).
- ☞ Unscrew the oil filler plug (4) on the oil separator tank.

**Attention!**

**Always use the same brand and type of oil when topping up the oil. (see label on the oil separator tank).**

**If a different type of oil is used drain the old oil completely and always renew the oil filter.**

**Never mix different types of oil.**

- ☞ Top up the oil to the maximum mark.

For oil quantity see chapter 1.7.

- ☞ Check the sealing ring on the oil filler plug (4) for damage and then screw in the oil filler plug.
- ☞ Close all access doors and fit all cover panels.

**9.13.3 Draining the oil using own compressed air**

- ☞ Shut down the compressor package under full load (see chapter 8.4).



**Switch off and lock out the main switch to prevent an accidental compressor run.**

- ☞ Close the shut-off valve between the compressor package and the air main. The compressor oil circulation vents automatically.
- ☞ Remove cover panel (5, see chapter 9.2).
- ☞ The pressure gauge on the oil separator tank must indicate zero bar.
- ☞ Close the shut-off valve (1).
- ☞ Close all access doors and fit all cover panels.
- ☞ Start the compressor package (see chapter 8.4) and allow to run for approximately 30 seconds.
- ☞ Shut down the compressor package under full load (see chapter 8.4).



**Switch off and lock out the main switch to prevent an accidental compressor run.**

- ☞ Remove cover panels (5 and 6, see chapter 9.2).
- ☞ Check the actual pressure on the pressure gauge (2). Open the shut-off valve (1), let the pressure on the pressure gauge (2) sink to approximately 3 bar and then close the shut-off valve (1) again.
- ☞ Drain the oil from the oil separator tank and the oil cooler. Proceed as detailed in chapter 9.13.1.
- ☞ Open the shut-off valve (1).
- ☞ Top up with oil as described in chapter 9.13.2.
- ☞ Close all access doors and fit all cover panels.

#### **9.13.4 Measures for putting back into operation**

- ☞ Carry out measures detailed in “Pouring a small quantity of oil into the air inlet port” see chapter 7.8.1.
- ☞ Carry out measures detailed in “Running the compressor package in idle” see chapter 7.8.2.
- ☞ Carry out the measures detailed in “Venting the compressor package” see chapter 9.10.
- ☞ Top up with oil, see chapter 9.13.2.
- ☞ Open the shut-off valve between the compressor package and the air main.
- ☞ Switch on the compressor package, see chapter 8.4, and allow to run until the operating temperature is reached, see chapter 1.1.
- ☞ Top up the oil again, see chapter 9.12.



**Carry out a trial run.**

**When the operating temperature is reached (see chapter 1.1) shut down the compressor package (see chapter 8.4) and lock out the main switch to prevent an accidental compressor run.**

**Carry out a visual check for leaks.**

#### **9.14 Changing the Oil Separator Cartridge**

The service life of the oil separator cartridge is strongly influenced by the degree of contamination of inlet air and on strict adherence to the recommended maintenance intervals of the air and oil filters.

We recommend that the oil separator cartridge is changed with the oil or when the relevant service message / alarm message is displayed on SIGMA CONTROL (see chapter 8.1).

- ☞ Shut down the compressor package under full load (see chapter 8.4).

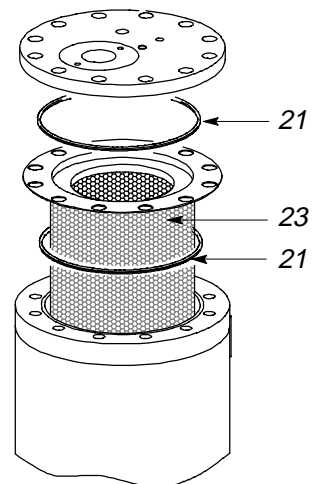
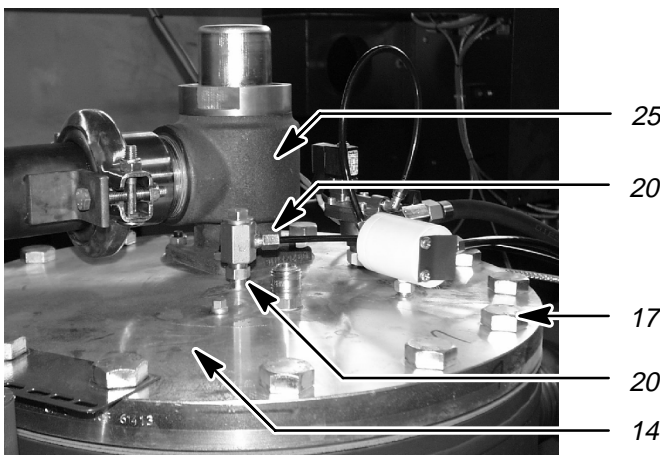
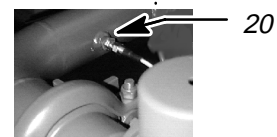
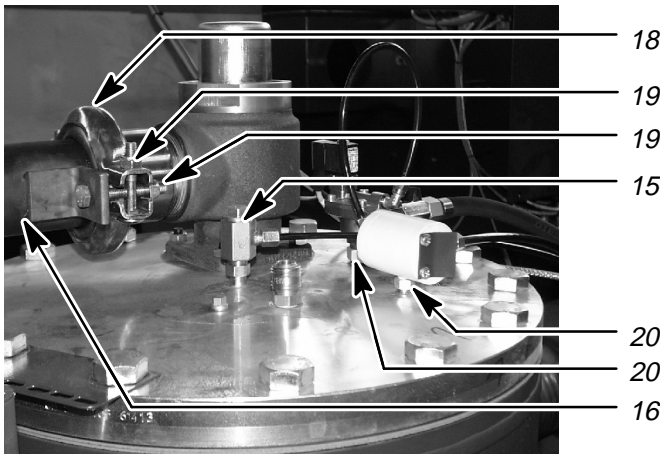


**Switch off and lock out the main switch to prevent an accidental compressor run.**



**Before opening or removing pressurized components (pipes, hoses, tanks, etc.) it is imperative that the compressor package is completely depressurized.**

- ☞ Venting the compressor package (see chapter 9.10).



14 Cover  
15 Dirt trap  
(with copper pipe)

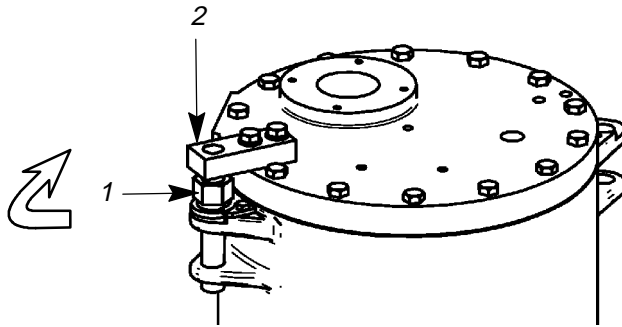
16 Air pipe  
17 Hexagonal bolts  
18 Ring clamps

19 Self – locking nut  
20 Union nut  
21 Gasket  
23 Oil separator cartridge

25 Minimum pressure/check valve

- ☞ Remove cover panels (5, 6 and 9, see chapter 9.2).
- ☞ Loosen the union nuts (20) and lay the parts with the connections carefully to one side– pull out the copper pipe at position (15).
- ☞ Unscrew the self locking nuts (19) on both ends of the air pipe (16) (on the oil separator tank and the air cooler) and remove the air pipe (16).

- ☞ Remove the minimum pressure/check valve (25).
- ☞ Unscrew the bolts (17) holding down the cover plate (14).



- 1 Hex nut
- 2 Swivel mechanism

- ☞ Turn the hex nut (1) on the swivelling device (2) in the direction of the arrow until the cover (14) is slightly raised.
- ☞ Swivel the cover (14) to one side.

**Attention!**

**When tightening the cover (14) to the oil separator tank take care that the hex nut (1) is turned until the cover sits flat on the gasket (21). This applies when the hex nut (1) can be turned by hand.**

- ☞ Take out the old oil separator cartridge (23) together with the gaskets (21) and dispose according to environmental regulations.
- ☞ Clean the sealing surfaces of the oil separator tank.

**Attention!**

**The oil separator cartridge cannot be cleaned.**

- ☞ Insert the new oil separator cartridge (23) with new gaskets (21) and fit and tighten down the cover (14) with the hex bolts (17).
- ☞ Renew the strainer and O-ring in the dirt trap (15) when the oil separator cartridge (23) is renewed.
- ☞ Reassemble in the reverse order.

For instructions on assembly of the flexible pipe connection see chapter 9.15.

- ☞ Close all access doors and fit all cover panels.
- ☞ Open the shut-off valve between the compressor package and the air main.



**Carry out a trial run.**

**When the operating temperature is reached (see chapter 1.1) shut down the compressor package (see chapter 8.4) and lock out the main switch to prevent an accidental compressor run.**

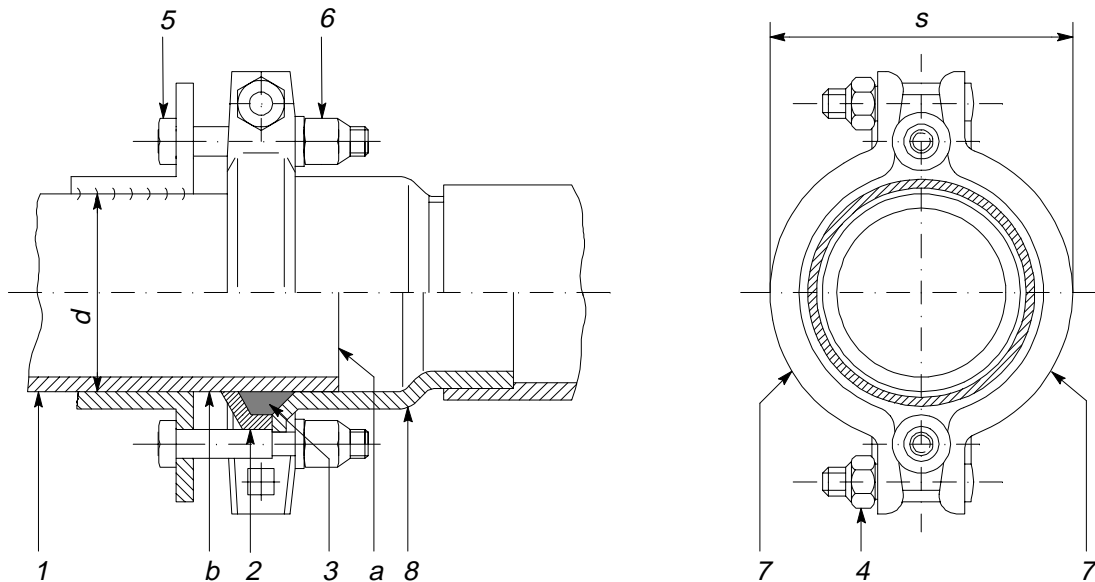
**Carry out a visual check for leaks.**

### 9.15 Assembly of the Flexible Pipe Connections

☞ Stop the compressor package (see chapter 8.4).



**Switch off and lock out the main switch to prevent an accidental compressor run.**



- |                       |                     |
|-----------------------|---------------------|
| 1 Pipe                | 5 Tensioning screw  |
| 2 Sealing ring holder | 6 Self locking nut  |
| 3 Sealing ring        | 7 Ring clamp halves |
| 4 Self locking nut    | 8 Sleeve            |

Ensure that the pipe (1) is free of burrs on the cut edge "a" and that the sealing surface "b" is clean and undamaged.

- ☞ Slide the sealing ring holder (2) and the sealing ring (3) over the pipe (1).
- ☞ Insert the pipe (1) into the sleeve (8) without straining; slide the sealing ring (3) with the sealing ring holder (2) up to the bevelled edge of the sleeve (8). Realign the pipe if necessary.
- ☞ Lay the two halves of the ring clamp (7) over the sealing ring holder (2) and sealing ring (3) and tighten up to the "s" measurement (see chapter 9.16). The "s" measurement is a guide and may vary by up to 2%.
- ☞ Tighten the tensioning screws (5) with the nuts (6) such that all tensioning screws can be just moved by hand when the compressor package is shut down. Under full load, all tensioning screws must be equally loaded.

Replace the self locking nuts (4) and (6) after loosening and tightening three times.

### 9.16 Flexible Pipe Connection Measurements

The measurement "s" is a standard value and can vary by approx. 2 % dependent upon production.

Pipe outside dia. "d" in mm	Clamp outside dia. "s" in mm	Part No. of the seal
76,1	131,0	5.1393.0
28,0	63,5	5.1389.1



## 10 Spare Parts and After Sales Service

### 10.1 Service parts and expendable parts



The removal of faults that are not explicitly described in this service manual may only be carried out by KAESER or by an authorised KAESER service agent. (see chapter 9.1).

<b>KAESER</b> KOMPRESSOREN	KAESER KOMPRESSOREN GmbH Carl-Kaeser-Str. 26, 96450 Coburg GERMANY Telefon + 49 95 61 64 00 Fax + 49 95 61 01 30
Model .....	
Part No. ....	
Serial No. ....	
Year of production .....	
Rated power .....	kW
Rated motor speed .....	1/min
Max. working pressure(g) .....	bar
Ambient temperature .....	°C / ..... °C

#### Important for all queries:

☞ Enter the data on your compressor's nameplate in the nameplate shown above.

**Always** quote the data on the nameplate when making a query or ordering spares.

**Attention!**

**Always order original spares from the compressor manufacturer to avoid lowering the quality of your compressor package.**

Supplementary information for specialised personnel concerning spare parts is found in chapter 11.2.

Description	No. off	Order No.
Oil filter	1	1200
Air filter cartridge	1	1250
Oil separator cartridge		
Complete set, comprising:	1	1450
Separator cartridge	1	
Gasket	2	
Dirt trap strainer	1	
O Ring	1	

### 10.2 Service and Maintenance Agreement

We recommend that you take out a service and maintenance agreement with an authorized KAESER service agency. This is your best guarantee of reliable air supplies.



**11 Appendix**

**11.1 Electrical Diagram**

**Electrical diagrams**  
**Compressor DSD 171**  
**Air cooled**  
**380-400-420V 50Hz**

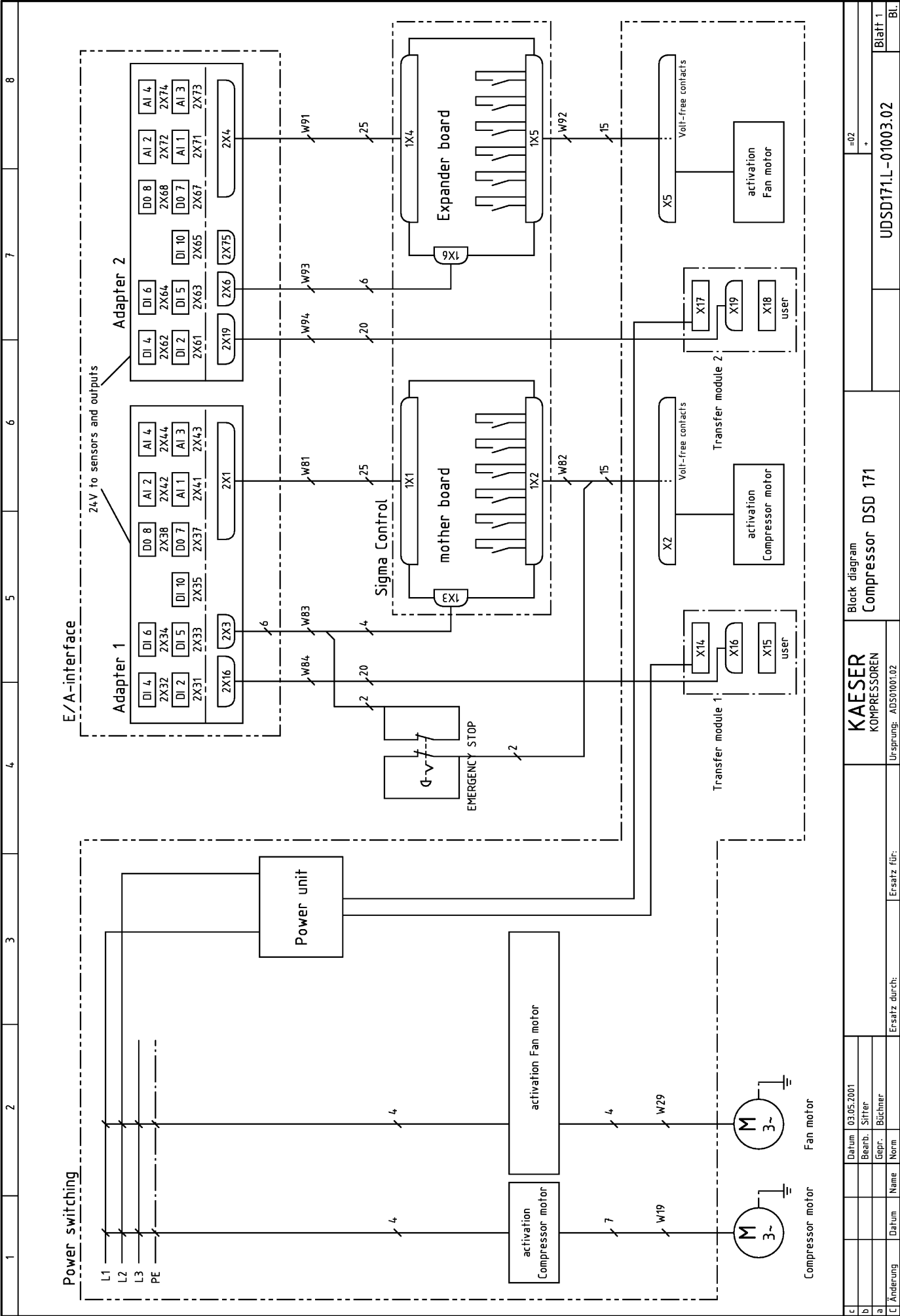
**Manufacturer: Kaeser Kompressoren GmbH**  
**Postfach 2143**  
**96410 Coburg**

The drawings remain our exclusive property. They are entrusted only for the agreed purpose. Copies or any other reproductions, including storage, treatment and dissemination by use of electronic systems must not be made for any other than the agreed purpose. Neither originals nor reproductions must be forwarded or otherwise made accessible to third parties.

c		Datum	03.05.2001	E	<b>KAESER</b> <b>KOMPRESSOREN</b> Ursprung: ADS01001.02	Cover page <b>Compressor DSD 171</b>	=02 +	DSD171.L-01003.02	Blatt 1	
b		Bearb.	Sirfer	Ersatz durch:						Ersatz für:
a		Gepr.	Büchner							
A	Änderung	Name		Norm					Bl.	

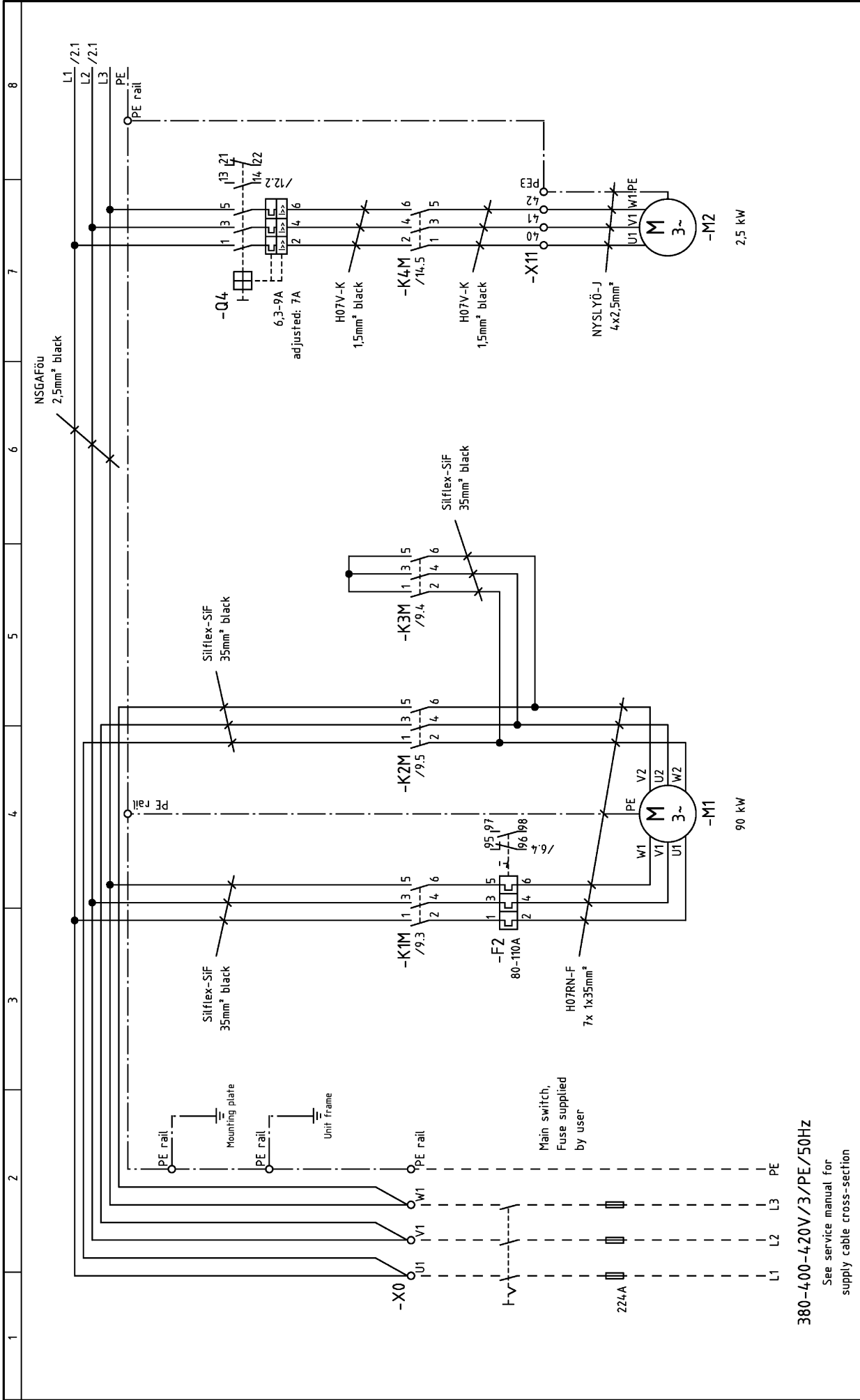
Lfd. Nr. No.	Benennung Name	Zeichnungsnummer (Kunde) Drawing No. (customer)	Zeichnungsnummer (Hersteller) Drawing No. (manufacturer)	Blatt Page	Anlagenkennzeichen Unit designation
1	Cover page		DDSD171L-01003.02	1	=02
2	List of contents		ZDSD171L-01003.02	1	=02
3	Block diagram		U0SD171L-01003.02	1	=02
4	Circuit diagram	Power switching	SDSD171L-01003.02	1	=02
5	Circuit diagram	Control voltage tapping	SDSD171L-01003.02	2	=02
6	Circuit diagram	Power supply unit	SDSD171L-01003.02	3	=02
7	Circuit diagram	Temperature monitoring	SDSD171L-01003.02	4	=02
8	Circuit diagram	mother board/Inputs	SDSD171L-01003.02	5	=02
9	Circuit diagram	mother board/Inputs	SDSD171L-01003.02	6	=02
10	Circuit diagram	mother board/Inputs	SDSD171L-01003.02	7	=02
11	Circuit diagram	mother board/Outputs	SDSD171L-01003.02	8	=02
12	Circuit diagram	mother board/Outputs	SDSD171L-01003.02	9	=02
13	Circuit diagram	Expander board/Inputs	SDSD171L-01003.02	10	=02
14	Circuit diagram	Expander board/Inputs	SDSD171L-01003.02	11	=02
15	Circuit diagram	Expander board/Inputs	SDSD171L-01003.02	12	=02
16	Circuit diagram	Expander board/Outputs	SDSD171L-01003.02	13	=02
17	Circuit diagram	Expander board/Outputs	SDSD171L-01003.02	14	=02
18	Circuit diagram	Volt-free contacts	SDSD171L-01003.02	15	=02
19	Electrical equipment identification		SDSD171L-01003.02	16	=02
20	Equipment parts list	Control cabinet	GDSD171L-01003.02	1	=02
21	Terminal schedule	Terminal strip -X0,-PE rail	KDSD171L-01003.02	1	=02
22	Terminal schedule	Terminal strip -X2,-X5	KDSD171L-01003.02	2	=02
23	Terminal schedule	Terminal strip -X11	KDSD171L-01003.02	3	=02
24	Terminal schedule	Terminal strip -X14,-X15	KDSD171L-01003.02	4	=02
25	Terminal schedule	Terminal strip -X17,-X18	KDSD171L-01003.02	5	=02
26	Component layout	Mounting plate	ADSD171L-01003.02	1	=02

c	Datum	03.05.2001	List of contents Compressor DSD 171		=02 +
b	Bearb.	Stifer			
a	Gepr.	Büchner			
B	Änderung	Datum	Name	Ersatz durch:	Ersatz für:
					ZDSD171L-01003.02
					Blatt 1
					Bl.



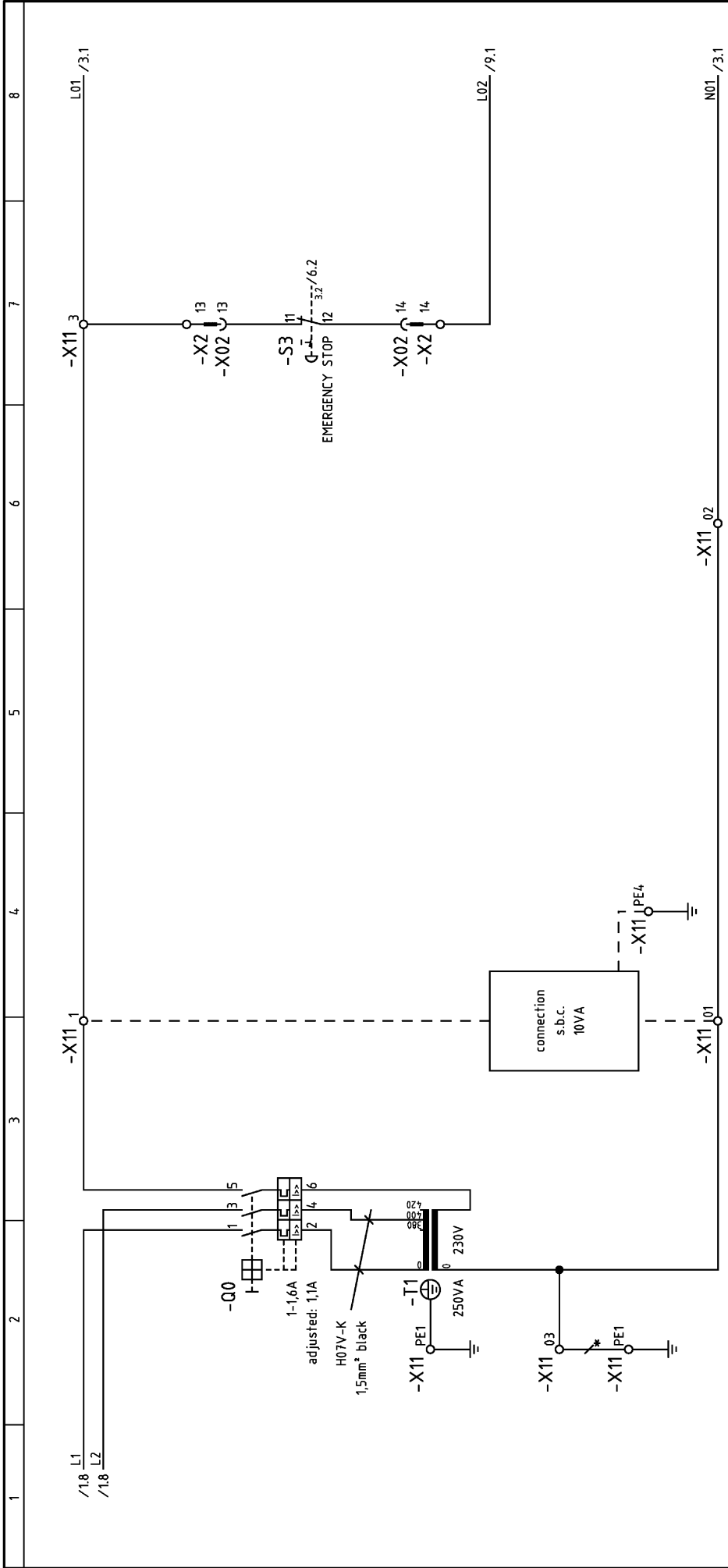
c	Datum	03.05.2001
b	Bearb.	Sirfer
a	Gepr.	Büchner
c	Änderung	Datum Name Norm
Ersatz durch:		
Ersatz für:		

Block diagram  
Compressor DSD 171



380-400-420V/3/PE/50Hz  
 See service manual for  
 supply cable cross-section

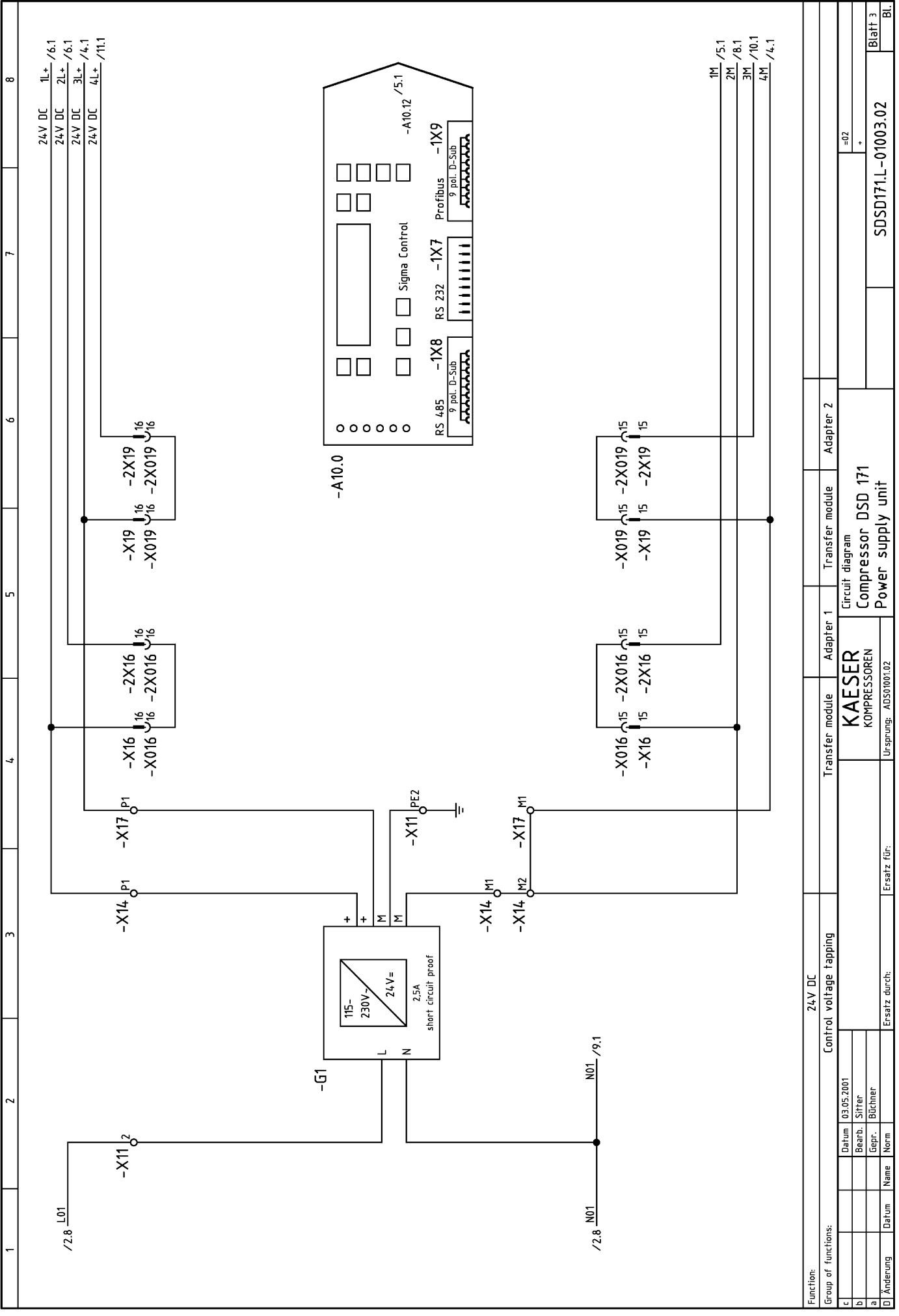
Group of functions:		Main power supply		Compressor motor		Fan motor	
c	Datum	03.05.2001	Power switching		Circuit diagram		=02
b	Bearb.	Sirrer	KAESER		Compressor DSD 171		+
a	Gepr.	Büchner	KOMPRESSOREN		Power switching		Blatt 1
D	Änderung	Datum	Name	Norm	Ersatz durch:	Ersatz für:	Ursprung: ADS01001.02
							SDDSD171.L-01003.02



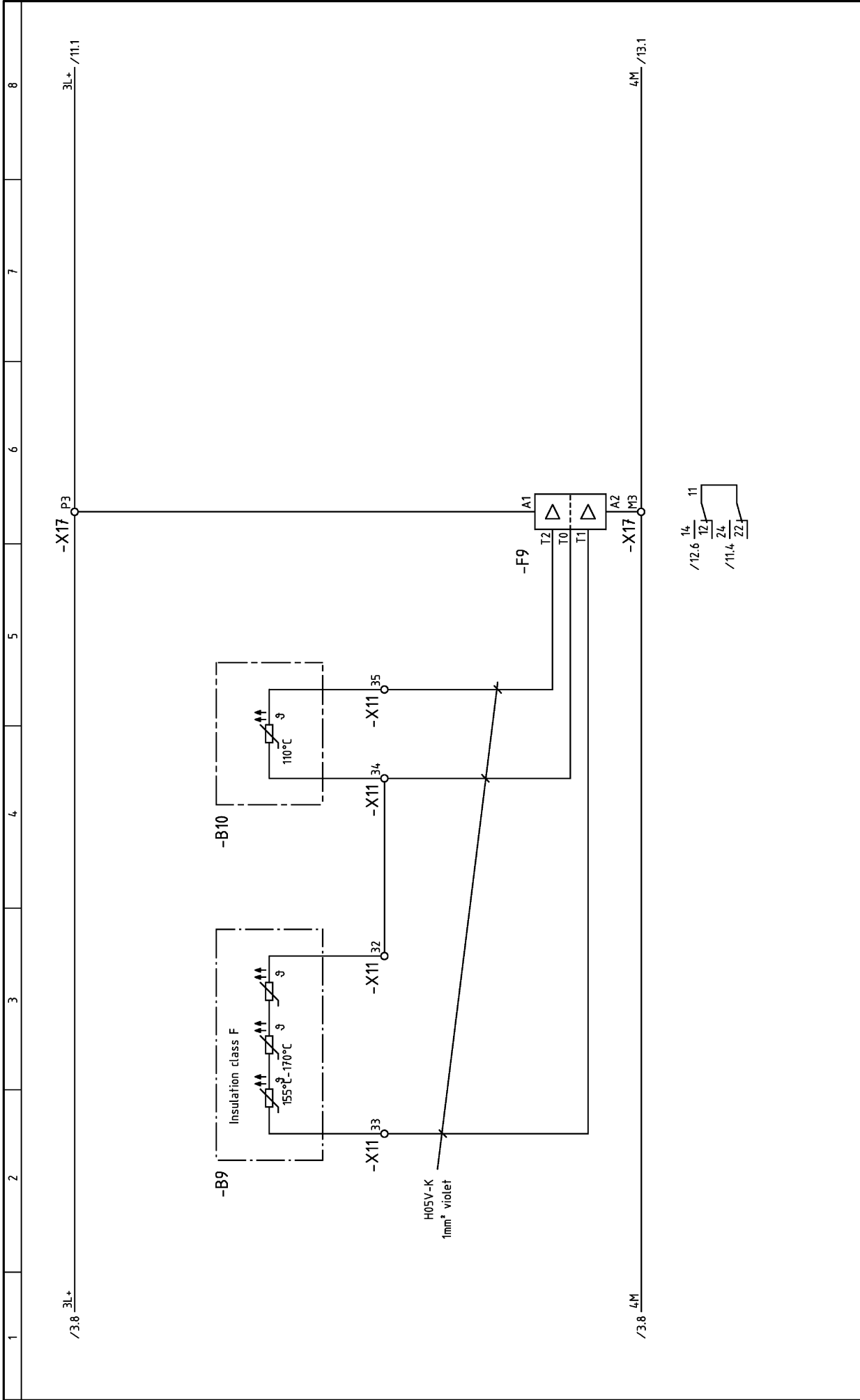
Secondary side is earthed.  
 \* If the shorting link is removed, insulation monitoring must be installed

Control cabinet wiring:  
 All non-designated conductors  
 230V AC: 1mm² red H05V-K  
 24V DC: 1mm² blue H05V-K

Function:		230V/1~/50Hz		EMERGENCY STOP	
Group of functions:		Control voltage tapping		Safety chain	
c	Datum	03.05.2001		=02	
b	Bearb.	Sirfer		+	
a	Gepr.	Büchner			
D	Änderung	Datum	Name	Norm	
				Ersatz durch:	
				Ersatz für:	
		KAESER		Circuit diagram	
		KOMPRESSOREN		Compressor DSD 171	
		Ursprung: ADS01001.02		Control voltage tapping	
				SDDSD171.L-01003.02	
				Blatt 2	
				Bl.	

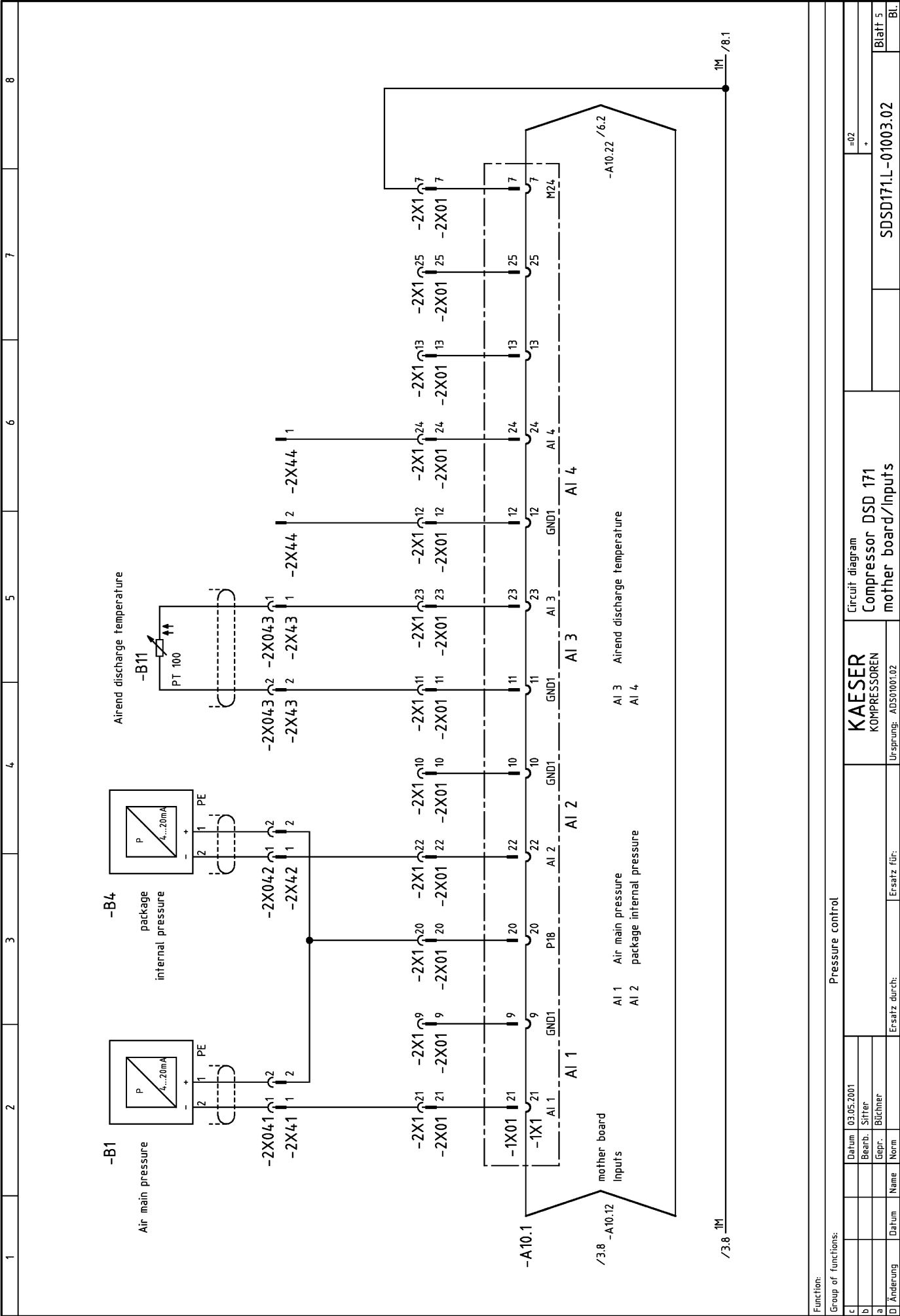


Function:				24V DC			
Group of functions:				Control voltage tapping			
				Transfer module		Adapter 1	
				Transfer module		Adapter 2	
				Circuit diagram			
				Compressor DSD 171			
				Power supply unit			
				KAESER		=02	
				KOMPRESSOREN		+	
				Ursprung: ADS01001.02			
				Ersatz durch:		Ersatz für:	
Datum				03.05.2001		Blatt 3	
Bearb.				Stirrer		Bl.	
Geprf.				Büchner			
Name						SDSD171.L-01003.02	
Datum							



1		2		3		4		5		6		7		8	
/3.8 3L+														3L+ /11.1	
Compressor motor															
Function: Oil separator tank air discharge															
Group of functions: Temperature monitoring															
		Datum 03.05.2001													
c		Datum		03.05.2001											
b		Bearb.		Stirrer											
a		Gepr.		Büchner											
D Änderung		Datum		Name		Ersatz durch:		Ersatz für:		Ursprung: ADS01001.02		KAEISER KOMPRESSOREN		Circuit diagram Compressor DSD 171 Temperature monitoring	
										=02 +		SDSD171.L-01003.02		Blatt 4	
4M /13.1															





Function:

Group of functions:

c	Datum	03.05.2001
b	Bearb.	Sirfer
a	Gepr.	Büchner
D	Änderung	Datum Name Norm

Pressure control

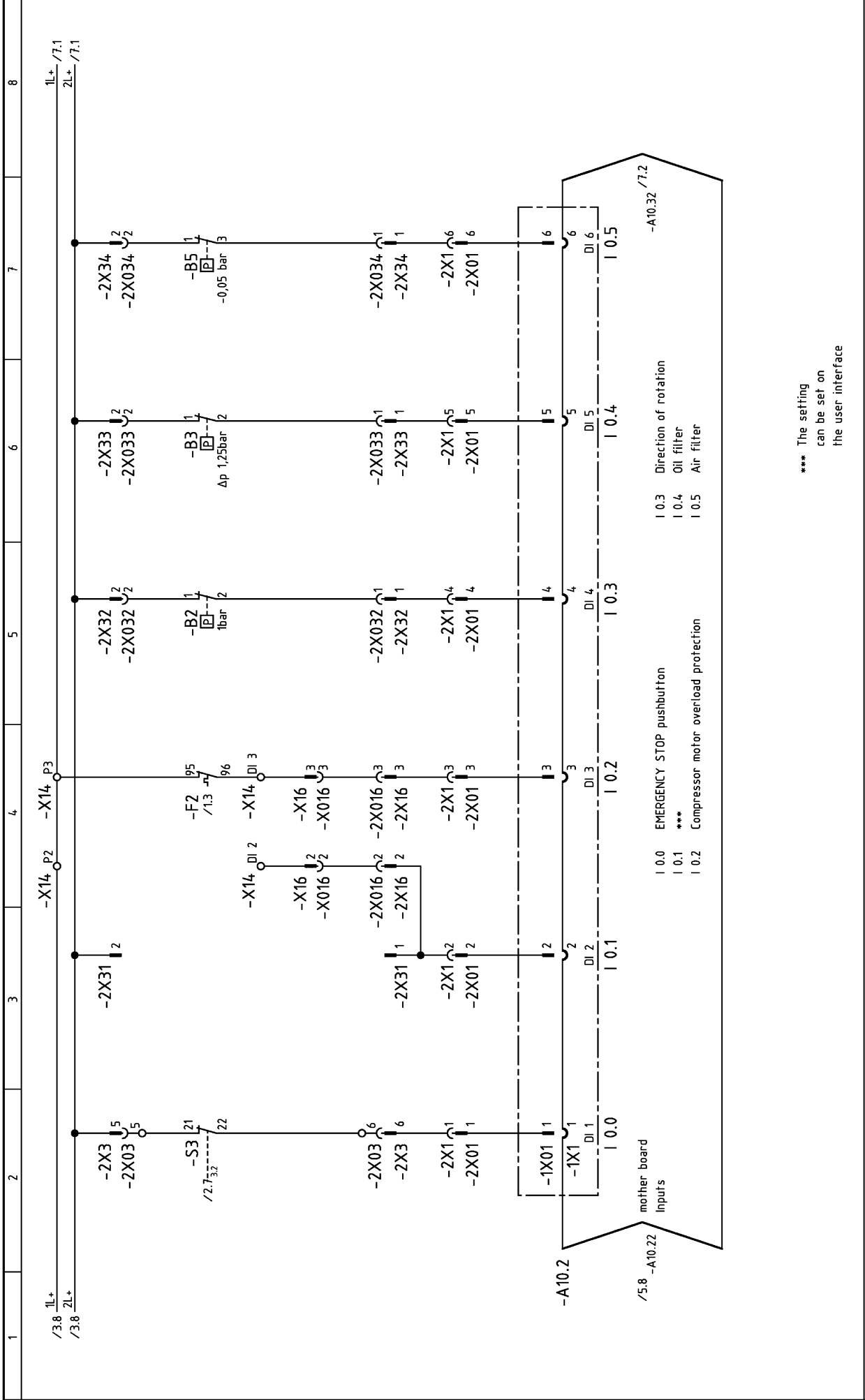
KAESER  
KOMPRESSOREN  
Ursprung: ADS01001.02

Circuit diagram  
Compressor DSD 171  
mother board/Inputs

=02  
+

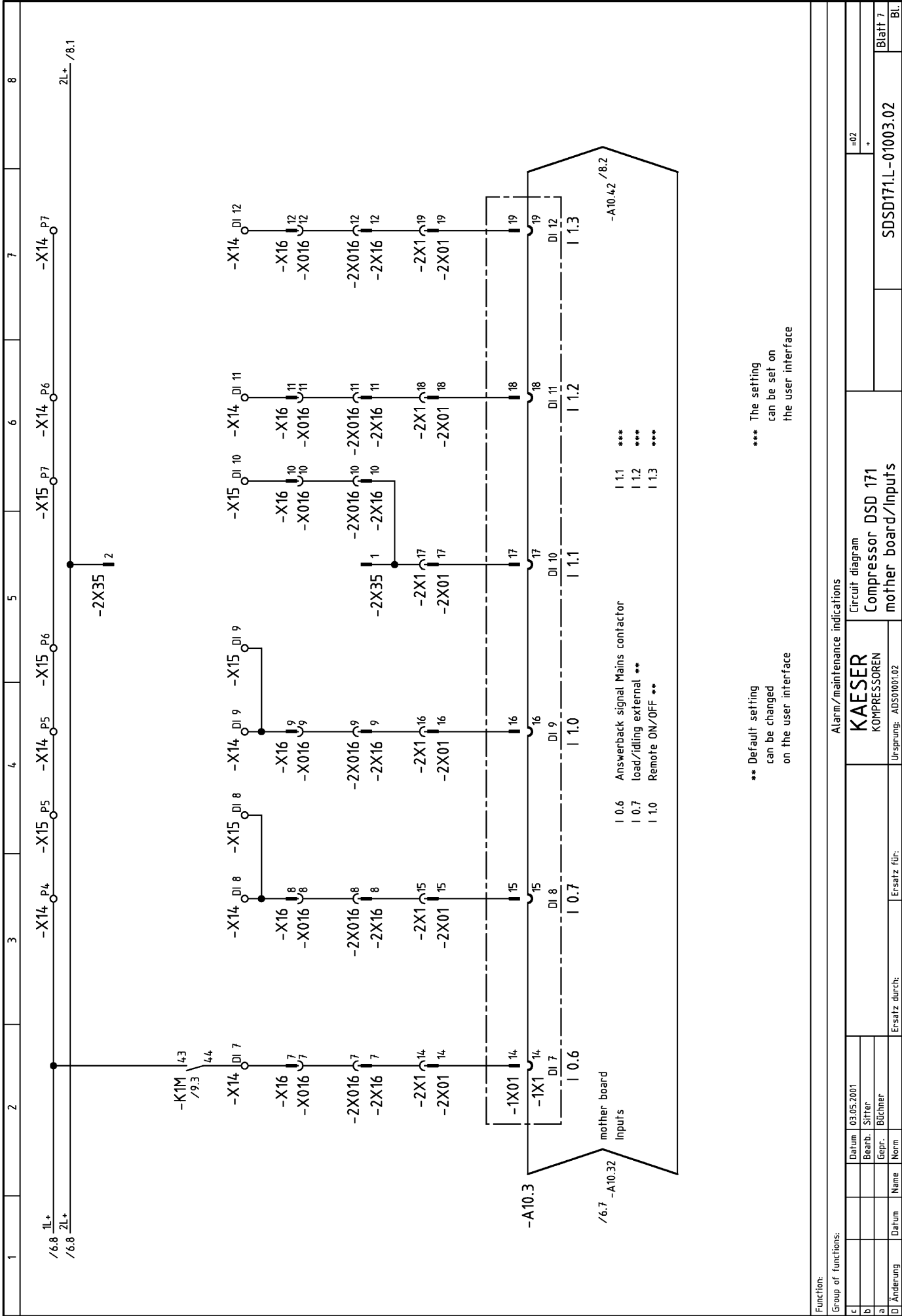
SDD171.L-01003.02

Blatt 5  
Bl.



Function:		Alarm/maintenance indications	
Group of functions:		Circuit diagram	
		Compressor DSD 171	
		mother board/inputs	
		=02	
		+	
		SDSD171.L-01003.02	
		Blatt 6	
		Bl.	

c	Datum	03.05.2001
b	Bearb.	Sirfer
a	Gepr.	Büchner
D	Änderung	
	Datum	
	Name	
	Norm	
	Ersatz durch:	
	Ersatz für:	
	Ursprung:	ADSD0101.02



Function:  
Group of functions:

Alarm/maintenance indications  
Circuit diagram  
Compressor DSD 171  
mother board/inputs

**KAESER**  
KOMPRESSOREN  
Ursprung: A05D0101.02

Blatt 7  
SDDSD171.L-01003.02

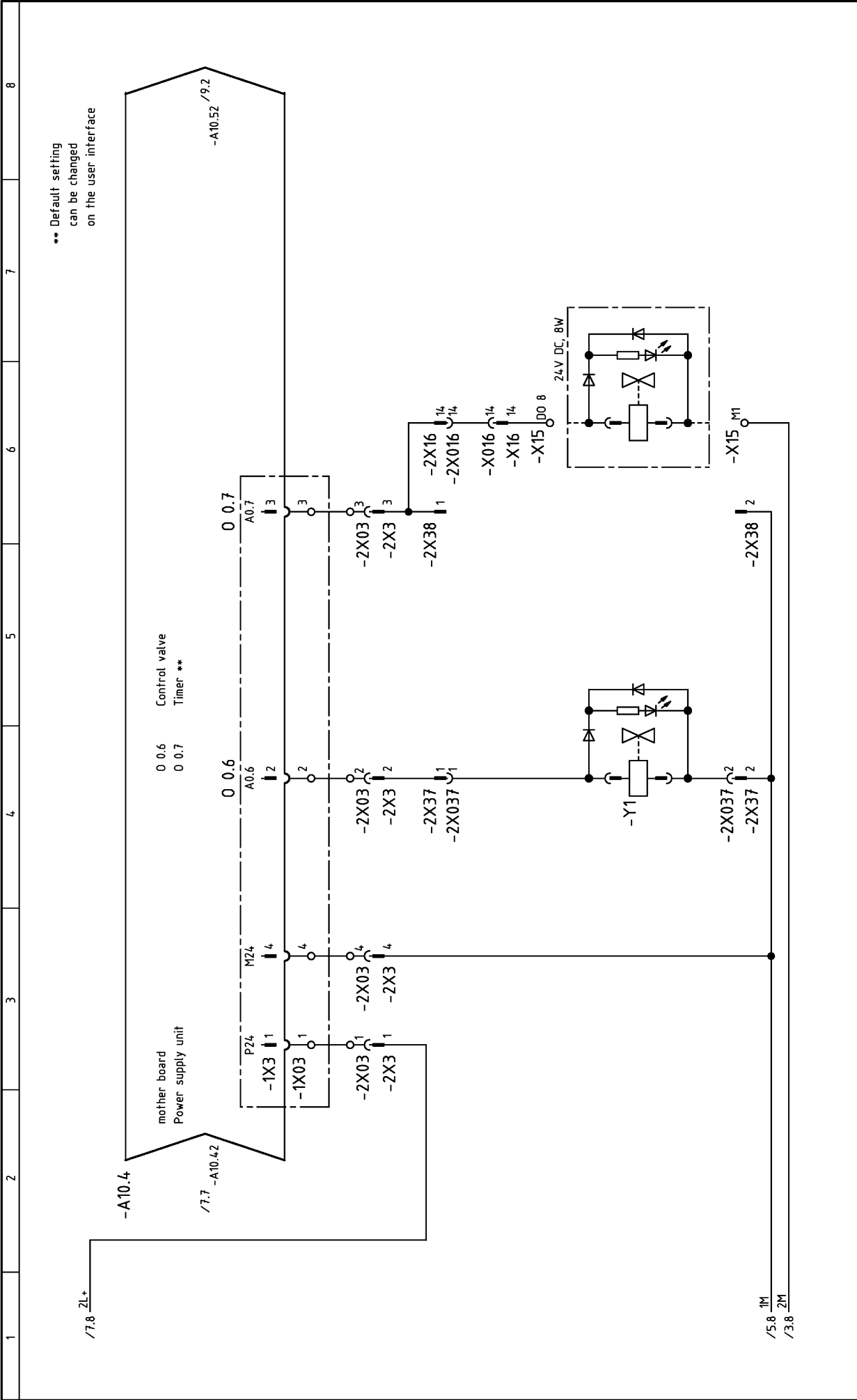
Datum	Name	Norm
03.05.2001	Sirfer	
	Büchner	

Ersatz durch:

Ersatz durch:

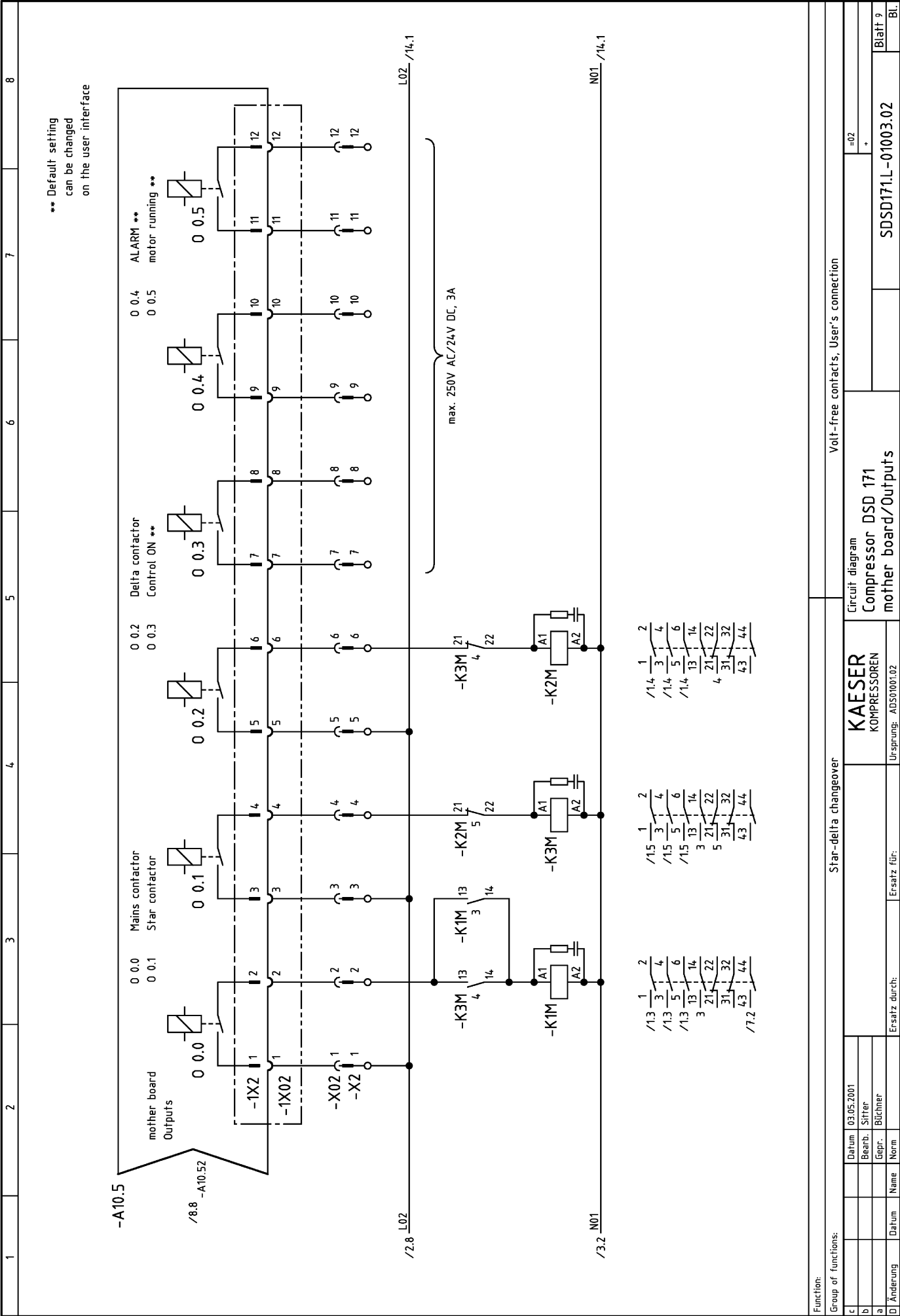
=02

+

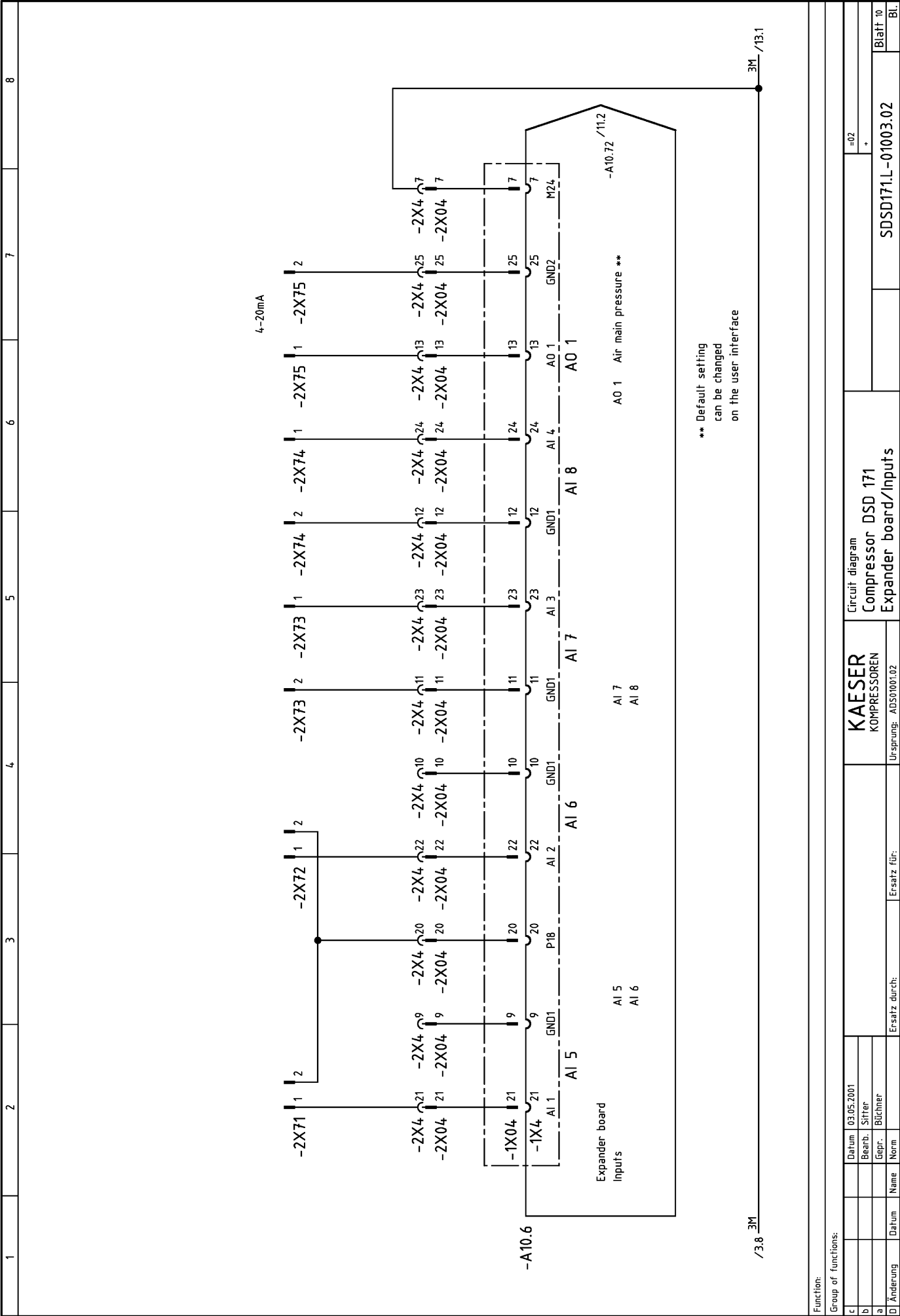


\*\* Default setting  
can be changed  
on the user interface

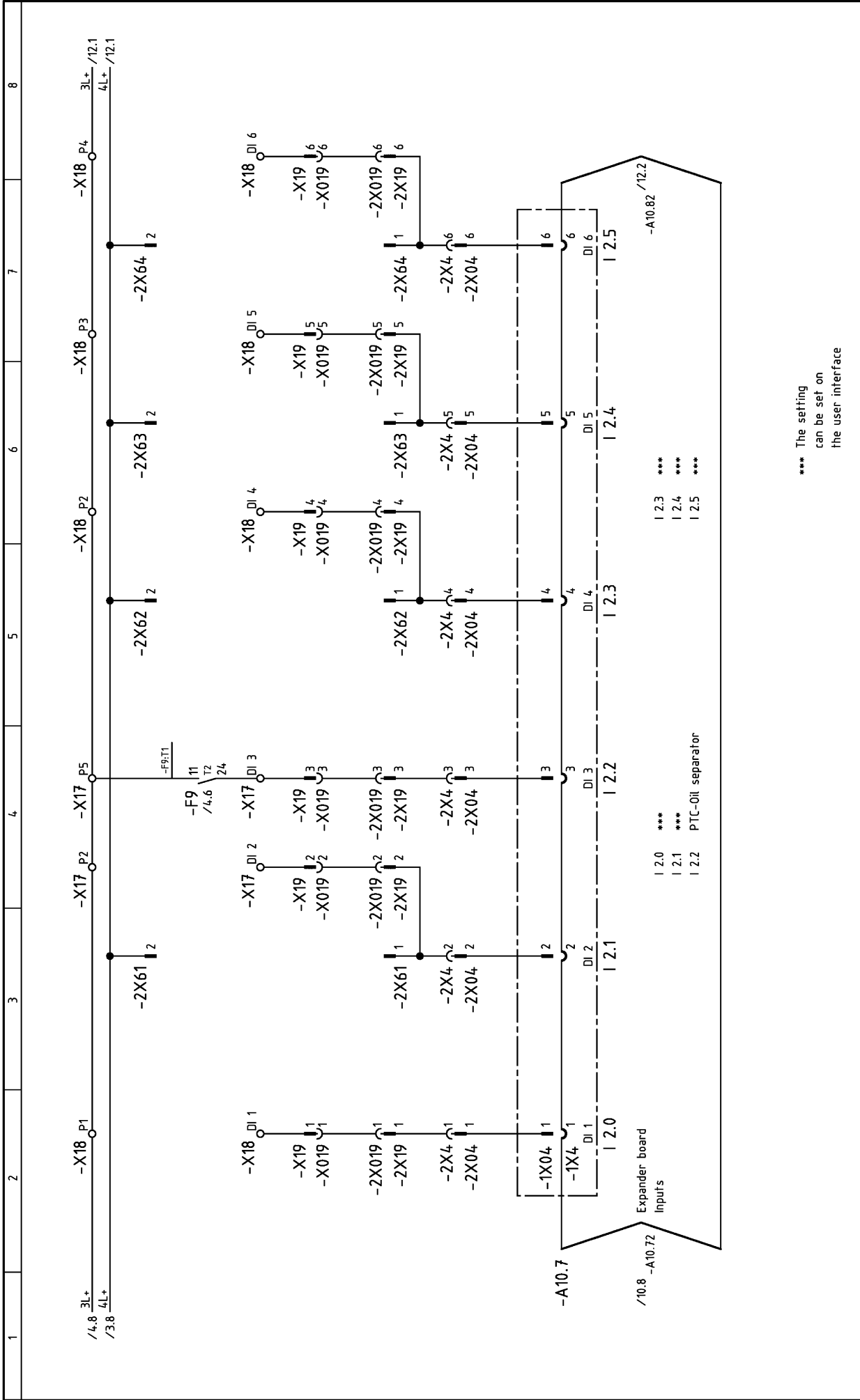
Group of functions:		Inlet/ Venting		mother board		Condensate drain, User's connection	
c	Datum	03.05.2001			Circuit diagram		=02
b	Bearb.	Sirfer			Compressor DSD 171		+
a	Gepr.	Büchner			mother board/Outputs		
D	Änderung	Datum	Name	Norm	Ersatz durch:	Ersatz für:	Blatt 8
							SDDSD171.L-01003.02
							Bl.



Group of functions:		Star-delta changeover		Volt-free contacts, User's connection	
c	Datum	03.05.2001			
b	Bearb.	Sirfer			
a	Gepr.	Büchner			
D	Änderung	Datum	Name	Norm	Ersatz durch:
					Ersatz für: /14.1
Function:		Circuit diagram			
		Compressor DSD 171			
		mother board/Outputs			
		KAESER		KOMPRESSOREN	
		=02		+	
		SDSD171.L-01003.02		Blatt 9	
				Bl.	



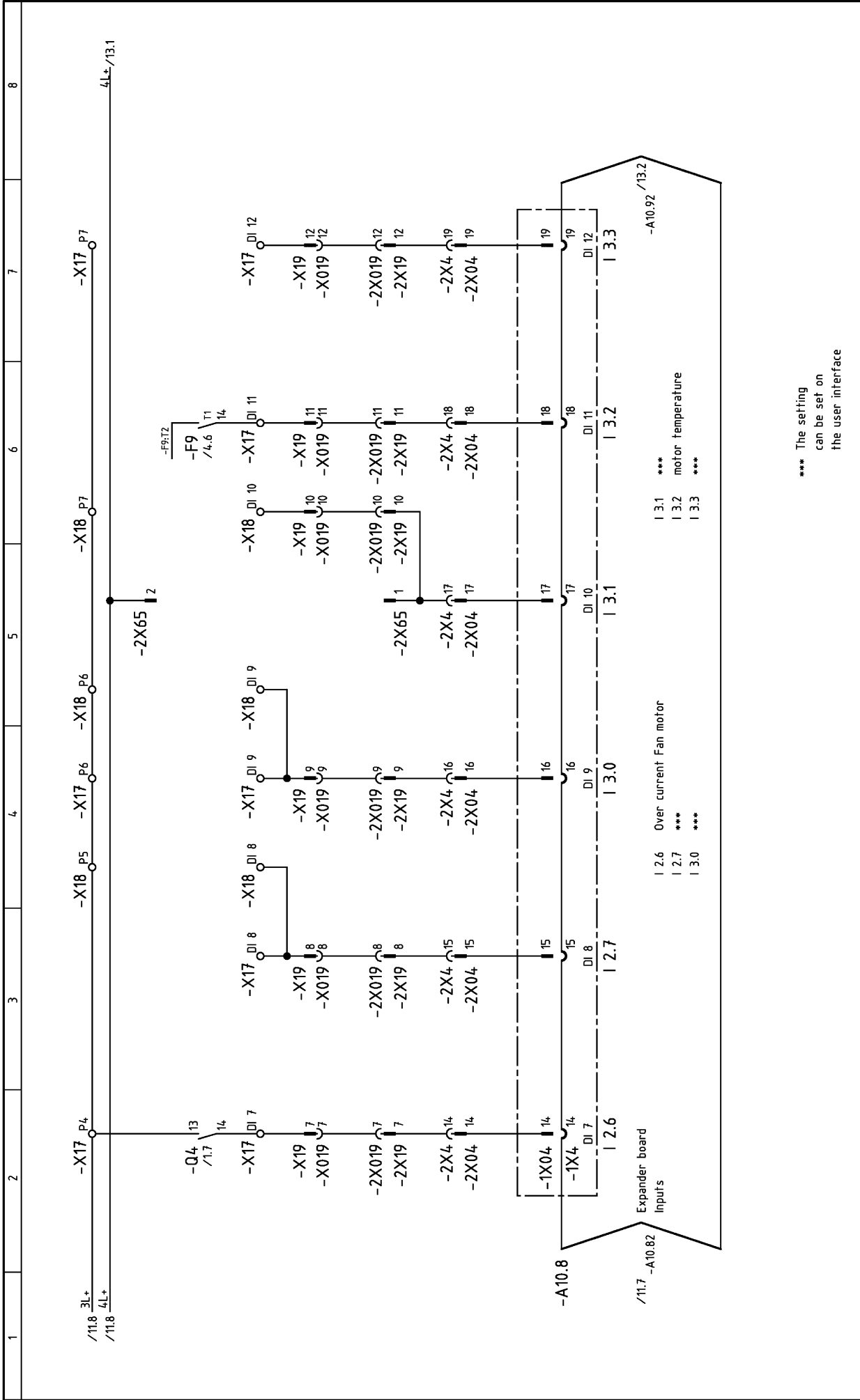
Function:		Group of functions:	
c	Datum	03.05.2001	
b	Bearb.	Sirfer	
a	Gepr.	Büchner	
D	Änderung	Datum	Name
		Ersatz durch:	Ersatz für:
			Ursprung: ADS01001.02
			KAESER KOMPRESSOREN
			Circuit diagram Compressor DSD 171 Expander board/Inputs
			=02 +
			SDDSD171.L-01003.02
			Blatt 10
			Bl.



Function:		Alarm/maintenance indications	
Group of functions:		Circuit diagram	
		Compressor DSD 171	
		Expander board/Inputs	
		=02	
		+	
		SDDSD171.L-01003.02	
		Blatt 11	
		Bl.	

Group of functions:		Alarm/maintenance indications	
Group of functions:		Circuit diagram	
		Compressor DSD 171	
		Expander board/Inputs	
		=02	
		+	
		SDDSD171.L-01003.02	
		Blatt 11	
		Bl.	

Group of functions:		Alarm/maintenance indications	
Group of functions:		Circuit diagram	
		Compressor DSD 171	
		Expander board/Inputs	
		=02	
		+	
		SDDSD171.L-01003.02	
		Blatt 11	
		Bl.	

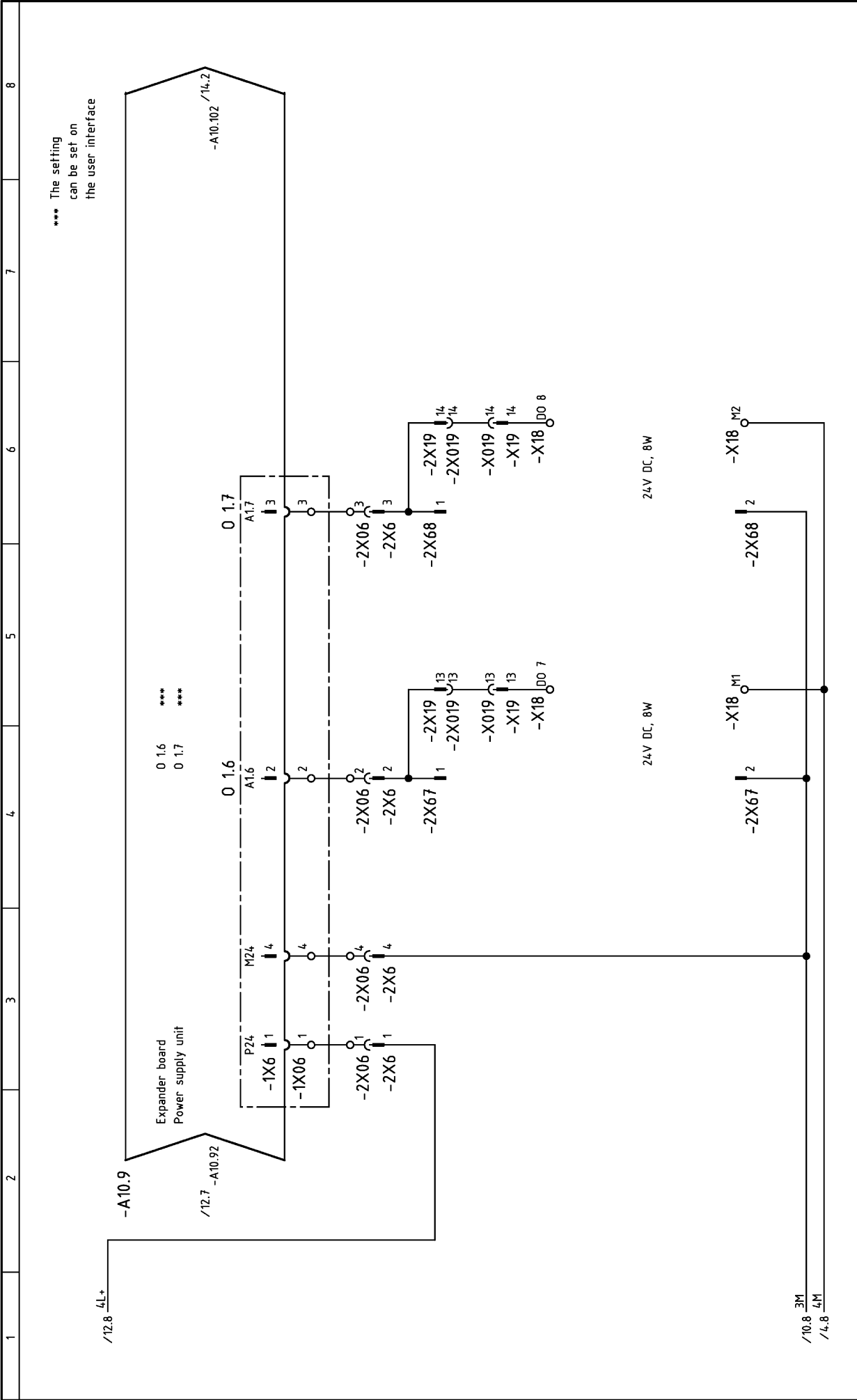


Function:		Alarm/maintenance indications	
Group of functions:		Circuit diagram	
		Compressor DSD 171	
		Expander board/Inputs	
		=02 +	
		SDDSD171.L-01003.02	
		Blatt 12	
		Bl.	

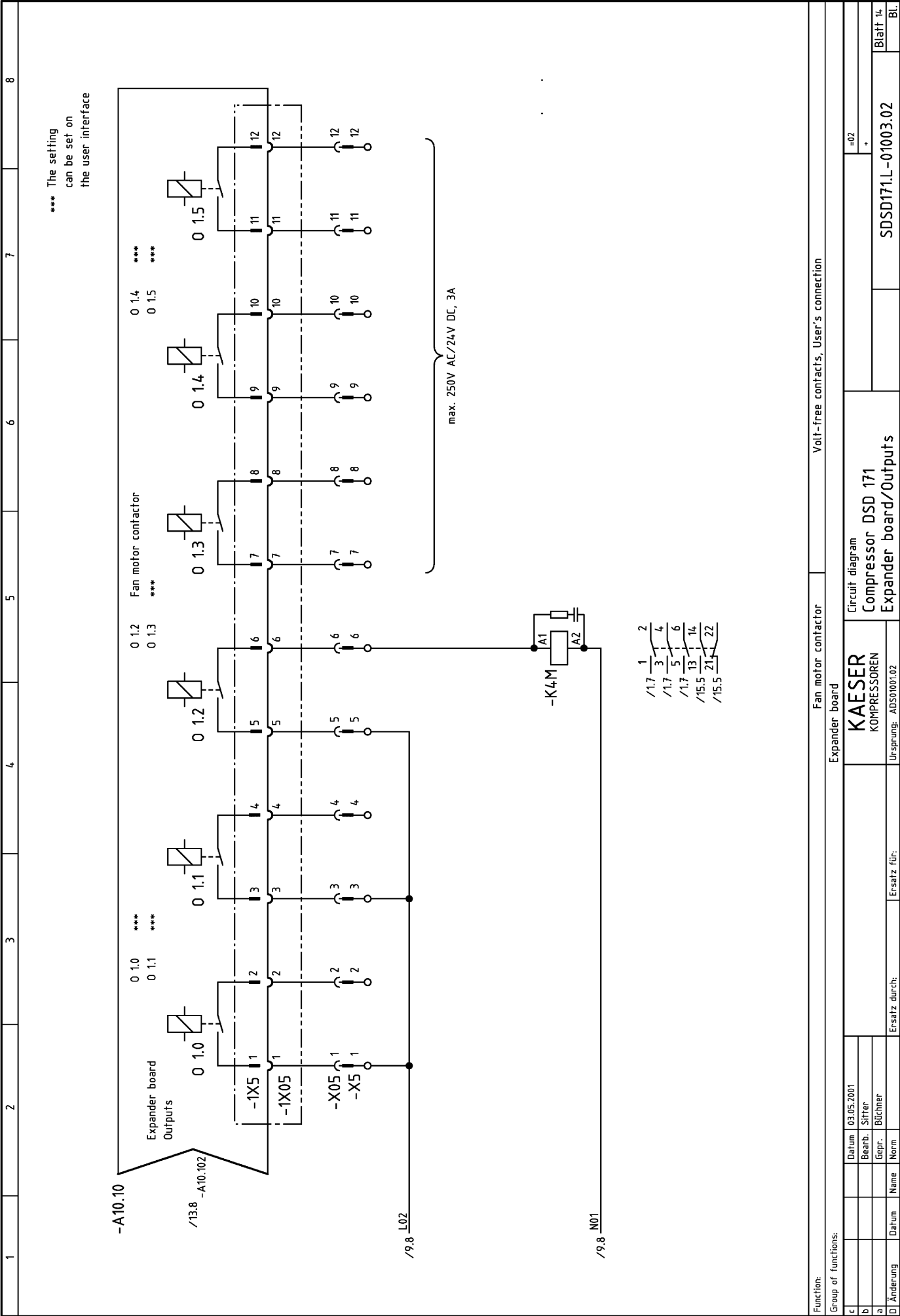
c	Datum	03.05.2001
b	Bearb.	Sirfer
a	Gepr.	Büchner
D	Änderung	
	Name	
	Datum	
	Norm	
	Ersatz durch:	
	Ersatz für:	
	Ursprung:	ADSD0101.02

\*\*\* The setting can be set on the user interface





Group of functions:		Expander board		Circuit diagram		=02 +	
Function:		Expander board		Compressor DSD 171		SDDSD171.L-01003.02	
KAESE		KOMPRESSOREN		Expander board/Outputs		Blatt 13	
Ursprung: ADS01001.02		Ersatz durch:		Ersatz für:		Bl.	
Datum: 03.05.2001		Bearb.: Sfirer		Gepr.: Büchner			
Datum		Name		Norm			
Änderung		Datum		Name			



Group of functions:		Fan motor contactor		Volt-free contacts, User's connection	
c	Datum	Expander board		=02	
b	Bearb.	KAESER		+	
a	Gepr.	KOMPRESSOREN		Circuit diagram	
D	Änderung	Ersatz durch:		Compressor DSD 171	
	Datum	Ersatz für:		Expander board/Outputs	
	Name	Ursprung: ADS0101.02		SDDSD171.L-01003.02	
				Blatt 14	
				Bl.	

1	2	3	4	5	6	7	8
<h2>Volt-free contacts User's connection</h2>							
<p>All non-designated conductors, 1,5mm<sup>2</sup> orange H07V-K</p>							
<p>Function: motor running</p>							
<p>Group of functions: Volt-free contacts</p>							
c		Datum	03.05.2001				
b		Bearb.	Sirfer				
a		Gepr.	Büchner				
D	Änderung	Datum	Name	Norm			
				Ersatz durch:			
				Ersatz für:	KAESER KOMPRESSOREN Ursprung: ADS01001.02		
				Circuit diagram	Compressor DSD 171 Volt-free contacts		
				=02			
				+			
				SDSD171.L-01003.02			
				Blatt 15		Bl.	

1	2	3	4	5	6	7	8
-A10	Sigma Control				Connector plug, Sigma Control		
-A10.1...-A10.5	mother board, Inputs/Outputs			-1X01...-1X06	connector strip Adapter 1, internal		
-A10.6...-A10.10	Expander board, Inputs/Outputs			-2X1,-2X3 -2X16	connector strip Adapter 1, internal		
-B9	PTC resistor sensor / compressor motor			-2X01,-2X03	Connector plug Adapter 1, internal		
-B10	PTC resistor sensor / oil separator tank air discharge			-2X016 -2X4,-2X6 -2X19	Connector plug Adapter 1, internal connector strip Adapter 2, internal connector strip Adapter 2, internal		
-G1	Power unit			-2X04,-2X06	Connector plug Adapter 2, internal		
-K1M	Mains contactor			-2X019	Connector plug Adapter 2, internal		
-K2M	Delta contactor			-2X31...-2X44	Connector plug Adapter 2, internal		
-K3M	Star contactor			-2X61...-2X74	connector strip Adapter 1, external		
-K4M	Motor contactor Fan motor			-2X031...-2X043	connector strip Adapter 2, external		
-M1	Compressor motor			-2X75	Connector plug Adapter 1, external		
-M2	Fan motor			-Y1	Connector plug Adapter 2, internal, Analog output Control valve		
-Q0	Overload protection switch, Control transformer						
-S3	EMERGENCY STOP pushbutton						
-T1	Control transformer						
-X0	Terminal strip, Power supply						
-X11	Terminal strip, Control						
-X2,-X5	Terminal strip, Outputs/Volt-free contacts						
-X14,-X15	Terminal strip, digital inputs Transfer module 1						
-X16	connector strip, digital inputs Transfer module 1						
-X17,-X18	Terminal strip, digital inputs Transfer module 2						
-X19	connector strip, digital inputs Transfer module 2						
-X016	Connector plug, Transfer module 1						
-X019	Connector plug, Transfer module 2						
-X02,-X05	Connector plug, Outputs/Volt-free contacts						
-1X1...-1X3	connector strip Sigma Control, mother board						
-1X4...-1X6	connector strip Sigma Control, Expander board						
-1X7...-1X9	interface, connector strip Sigma Control						
				<b>Fault indicator</b>			
				-F2	Compressor motor overload protection	Shut down function and Indicating function	
				-Q4	Overload protection switch Fan motor		
				-F9	Oil separator tank air discharge PTC thermistor trigger and Compressor motor		
				-B2	Direction of rotation pressure switch		
				-B11	Temperature probe Airend discharge temperature	Indicating function	
				-B1	Pressure transducer, Air main pressure		
				-B3	Oil filter differential pressure switch		
				-B4	Pressure transducer, package internal pressure		
				-B5	Air filter vacuum switch		
c	Datum	03.05.2001			Electrical equipment identification		=02
b	Bearb.	Stirfer			Compressor DSD 171		+
a	Gepr.	Büchner			Compressor DSD 171		
E	Änderung	Name	Datum		Ersatz durch:		
					Ersatz für:		
					Ursprung: ADS01001.02		
						SDSD171.L-01003.02	
						Blatt 16	
						Bl.	

1	2	3	4	5	6	7	8		
A Stückzahl Qty.	B Benennung und Verwendung Description and function	C Fabrikatsbezeichnung Typ: Bestell-Nr.; Untereinlagen-Nr.; Normkörbezeichnung notwendige Techn. Daten, z.B. Steuerspannung, Frequenz, Einstellbereich Identification data Typ: order No.; document No.; equipment code No.; basic technical data	D Lfd. Nr. Item	E Betriebsmittel-Kennz. nach DIN 40799, Teil 2 Identifying symbol of device	F Stromlaufplan Planabschnitt Circuit diagram sheet No.; section No.	G Einbauort Location	Concerns only the manufacturer		
							Wst.-Nr. H	I Schabl. Nr. BZ-Pos.	J VA (Kz. #)
1	Mounting plate	207042.0	CKC						
2	Motor contactor	A 110-30-22-80	ABB	-K1M,-K2M					
1	Motor contactor	A 95-30-22-80	ABB	-K3M					
3	Interference suppressor	RC5-2/250	ABB	-K1M,-K2M,-K3M					
1	Motor contactor	A 9-30-10-80	ABB	-K4M					
1	Interference suppressor	RC5-1/250	ABB	-K4M					
1	Auxiliary switch	CA 5-01	ABB	-K4M					
1	Overload protection	TA10 DU10 80-10A	ABB	-F2					
1	Overload protection switch	MS325-1,6 1-1,6A	ABB	-Q0					
1	Overload protection switch	MS325-9 6,3-9A	ABB	-Q4					
1	Auxiliary switch	HK-11	ABB	-Q4					
1	Control transformer	250VA 400/230V	Block	-T1					
1	Power supply	230V AC/24V DC 2,5A	Siemens	-G1					
1	PTC thermostat trigger	MS220K2 24V UC	Ziehl	-F9					
3	Terminal	RFK1/185FPA	Wieland	-X0					
1	Terminal strip	7.7114.00030	Wieland	-X2,-X5,-X11					
2	Transfer module	FLB20/8191 E	Wieland	-X14,...-X19					
2	Adapter	A11	Wieland	-2X...					
1	Compressor control "Sigma Control"	Typ 2	Siemens	-A10					
1	EMERGENCY STOP pushbutton	KPM12-10R	ABB	-S3					
1	Switching element	KCBH-02 2 OE	ABB	-S3					
<p>Bei Nachbestellung von Geräten und Maschinen sind alle in den stark umrandeten Spalten B und C angegebenen Daten anzuführen. Die Daten in den Spalten D bis G sind zusätzlich unter Nennung dieser Gerätestücklisten-Nummer anzugeben, soweit sie die Beantwortung technischer Rückfragen erleichtern. Für Ersatzteilbestellung ist zusätzlich die Angabe der Fabriknummer erforderlich, falls diese auf dem Typenschild des Erzeugnisses genannt ist.</p> <p>In Zweifelsfällen gilt die deutsche Fassung.</p> <p>*) Versandanschrift - Kennzeichen</p>									
C	Datum	03.05.2001	Equipment parts list		=02				
b	Bearb.	Sirfer	Compressor DSD 171		+				
a	Gepr.	Büchner	Control cabinet					Blatt 1	
F	Änderung	Datum	Name	Norm	Ersatz für:			Bl.	
					Ursprung: ADS01001.01				
					GSD171.L-01003.02				

Cable identification		Terminal strip		Terminal strip: -X0		Terminal strip: -PE rail		Supply		Unit frame		PE rail		/1.2		PE rail		/1.2		PE rail		/1.2		PE rail		/1.4		PE rail		/1.8	
Destination external		Terminal strip		Terminal strip: -X0		Terminal strip: -PE rail		Supply		Unit frame		PE rail		/1.2		PE rail		/1.2		PE rail		/1.2		PE rail		/1.4		PE rail		/1.8	
Destination internal		Terminal strip		Terminal strip: -X0		Terminal strip: -PE rail		Supply		Unit frame		PE rail		/1.2		PE rail		/1.2		PE rail		/1.2		PE rail		/1.4		PE rail		/1.8	
Connection number		Terminal number		Terminal number		Terminal number		U1		U1		V1		V1		W1		W1		U1		U1		V1		V1		W1		W1	
Component identification		Terminal number		Terminal number		Terminal number		U1		U1		V1		V1		W1		W1		U1		U1		V1		V1		W1		W1	
Location		Terminal number		Terminal number		Terminal number		U1		U1		V1		V1		W1		W1		U1		U1		V1		V1		W1		W1	
Wire link		Terminal number		Terminal number		Terminal number		U1		U1		V1		V1		W1		W1		U1		U1		V1		V1		W1		W1	
Terminal legend Link		Terminal number		Terminal number		Terminal number		U1		U1		V1		V1		W1		W1		U1		U1		V1		V1		W1		W1	
Terminal number		Terminal number		Terminal number		Terminal number		U1		U1		V1		V1		W1		W1		U1		U1		V1		V1		W1		W1	
Connection number		Terminal number		Terminal number		Terminal number		U1		U1		V1		V1		W1		W1		U1		U1		V1		V1		W1		W1	
Component identification		Terminal number		Terminal number		Terminal number		U1		U1		V1		V1		W1		W1		U1		U1		V1		V1		W1		W1	
Destination external		Terminal strip		Terminal strip: -X0		Terminal strip: -PE rail		Supply		Unit frame		PE rail		/1.2		PE rail		/1.2		PE rail		/1.2		PE rail		/1.4		PE rail		/1.8	
Destination internal		Terminal strip		Terminal strip: -X0		Terminal strip: -PE rail		Supply		Unit frame		PE rail		/1.2		PE rail		/1.2		PE rail		/1.2		PE rail		/1.4		PE rail		/1.8	
Cable identification		Terminal strip		Terminal strip: -X0		Terminal strip: -PE rail		Supply		Unit frame		PE rail		/1.2		PE rail		/1.2		PE rail		/1.2		PE rail		/1.4		PE rail		/1.8	

\*\* See service manual for supply cable cross-section

s.b.c. = supplied by customer

C		Datum		04.05.2001		Terminal schedule		=02	
b		Bearb.		Stirrer		Compressor DSD 171		+	
a		Gepr.		Büchner		Terminal strip -X0,-PE rail		KDS171.L-01003.02	
H		Name		Norm		Ersatz durch:		Blatt 1	
		Datum				Ersatz für:		Bl	

Volt-free contacts, User's connection

1) motor running

- 2) Control ON \*\*
- 3) ALARM \*\*
- 4) motor running \*\*

\*\* Default setting can be changed on the user interface

Cable identification		Terminal strip - X2		Terminal strip - X5		Cable identification		
Destination	Connection number	Component identification	Location	Wire link	Terminal legend	Terminal number	Component identification	
Internal	1	-X2	/9.2			1	-X5	/14.2
	2	-X2	/9.3			2	-X5	/14.3
	3	-X2	/9.3			3	-X5	/14.4
	4	-X2	/9.4			4	-X5	/14.4
	5	-X2	/9.4			5	-X5	/14.4
	6	-X2	/9.5			6	-X5	/14.5
	7	-X2	/9.5			7	-X5	/14.5
	8	-X2	/9.6			8	-X5	/14.6
	9	-X2	/9.6			9	-X5	/14.6
	10	-X2	/9.7			10	-X5	/14.7
	11	-X2	/9.7			10	-X5	/14.7
	12	-X2	/9.8			11	-X5	/14.7
	12	-X2	/9.8			12	-X5	/14.8
	13	-X2	/9.8			12	-X5	/14.8
	13	-X2	/9.8			13	-X5	/14.8
	14	-X2	/9.8			14	-X5	/14.8
	15	-X2	/9.9			14	-X5	/14.8
	16	-X2	/9.9			14	-X5	/14.8
	17	-X2	/9.9			14	-X5	/14.8
	18	-X2	/9.9			14	-X5	/14.8
	19	-X2	/9.9			14	-X5	/14.8
	20	-X2	/9.9			14	-X5	/14.8
	21	-X2	/9.9			14	-X5	/14.8
	22	-X2	/9.9			14	-X5	/14.8
23	-X2	/9.9			14	-X5	/14.8	
24	-X2	/9.9			14	-X5	/14.8	
Total 24 Terminals						Total 21 Terminals		
Terminal strip - X2		Terminal strip - X5						
Connector plug -X02		Connector plug -X05						

Cable identification		Terminal strip: -X11	
Destination	external	Terminal strip	internal
Connection number	Component identification	Location	Wire link
Terminal legend	Terminal number	Terminal legend	Terminal number
Link	Terminal number	Link	Terminal number
Connection number	Component identification	Connection number	Component identification
-00	5	01	-T1
		02	-G1
		03	
		04	
		05	
		06	
		07	
		08	
		09	
		10	-F9
		11	-F9
		12	-F9
		13	-F9
		14	-F9
		15	-F9
		16	-F9
		17	-F9
		18	-F9
		19	-F9
		20	-F9
		21	-F9
		22	-F9
		23	-F9
		24	-F9
		25	-F9
		26	-F9
		27	-F9
		28	-F9
		29	-F9
		30	-F9
		31	-F9
		32	-F9
		33	-F9
		34	-F9
		35	-F9
		36	-F9
		37	-F9
		38	-F9
		39	-F9
		40	-F9
		41	-F9
		42	-F9
		43	-F9
		44	-F9
		45	-F9
		46	-F9
		47	-F9
		48	-F9
		49	-F9
		50	-F9
		51	-F9
		52	-F9
		53	-F9
		54	-F9
		55	-F9
		56	-F9
		57	-F9
		58	-F9
		59	-F9
		60	-F9
		61	-F9
		62	-F9
		63	-F9
		64	-F9
		65	-F9
		66	-F9
		67	-F9
		68	-F9
		69	-F9
		70	-F9
		71	-F9
		72	-F9
		73	-F9
		74	-F9
		75	-F9
		76	-F9
		77	-F9
		78	-F9
		79	-F9
		80	-F9
		81	-F9
		82	-F9
		83	-F9
		84	-F9
		85	-F9
		86	-F9
		87	-F9
		88	-F9
		89	-F9
		90	-F9
		91	-F9
		92	-F9
		93	-F9
		94	-F9
		95	-F9
		96	-F9
		97	-F9
		98	-F9
		99	-F9
		100	-F9
		101	-F9
		102	-F9
		103	-F9
		104	-F9
		105	-F9
		106	-F9
		107	-F9
		108	-F9
		109	-F9
		110	-F9
		111	-F9
		112	-F9
		113	-F9
		114	-F9
		115	-F9
		116	-F9
		117	-F9
		118	-F9
		119	-F9
		120	-F9
		121	-F9
		122	-F9
		123	-F9
		124	-F9
		125	-F9
		126	-F9
		127	-F9
		128	-F9
		129	-F9
		130	-F9
		131	-F9
		132	-F9
		133	-F9
		134	-F9
		135	-F9
		136	-F9
		137	-F9
		138	-F9
		139	-F9
		140	-F9
		141	-F9
		142	-F9
		143	-F9
		144	-F9
		145	-F9
		146	-F9
		147	-F9
		148	-F9
		149	-F9
		150	-F9
		151	-F9
		152	-F9
		153	-F9
		154	-F9
		155	-F9
		156	-F9
		157	-F9
		158	-F9
		159	-F9
		160	-F9
		161	-F9
		162	-F9
		163	-F9
		164	-F9
		165	-F9
		166	-F9
		167	-F9
		168	-F9
		169	-F9
		170	-F9
		171	-F9
		172	-F9
		173	-F9
		174	-F9
		175	-F9
		176	-F9
		177	-F9
		178	-F9
		179	-F9
		180	-F9
		181	-F9
		182	-F9
		183	-F9
		184	-F9
		185	-F9
		186	-F9
		187	-F9
		188	-F9
		189	-F9
		190	-F9
		191	-F9
		192	-F9
		193	-F9
		194	-F9
		195	-F9
		196	-F9
		197	-F9
		198	-F9
		199	-F9
		200	-F9
		201	-F9
		202	-F9
		203	-F9
		204	-F9
		205	-F9
		206	-F9
		207	-F9
		208	-F9
		209	-F9
		210	-F9
		211	-F9
		212	-F9
		213	-F9
		214	-F9
		215	-F9
		216	-F9
		217	-F9
		218	-F9
		219	-F9
		220	-F9
		221	-F9
		222	-F9
		223	-F9
		224	-F9
		225	-F9
		226	-F9
		227	-F9
		228	-F9
		229	-F9
		230	-F9
		231	-F9
		232	-F9
		233	-F9
		234	-F9
		235	-F9
		236	-F9
		237	-F9
		238	-F9
		239	-F9
		240	-F9
		241	-F9
		242	-F9
		243	-F9
		244	-F9
		245	-F9
		246	-F9
		247	-F9
		248	-F9
		249	-F9
		250	-F9
		251	-F9
		252	-F9
		253	-F9
		254	-F9
		255	-F9
		256	-F9
		257	-F9
		258	-F9
		259	-F9
		260	-F9
		261	-F9
		262	-F9
		263	-F9
		264	-F9
		265	-F9
		266	-F9
		267	-F9
		268	-F9
		269	-F9
		270	-F9
		271	-F9
		272	-F9
		273	-F9
		274	-F9
		275	-F9
		276	-F9
		277	-F9
		278	-F9
		279	-F9
		280	-F9
		281	-F9
		282	-F9
		283	-F9
		284	-F9
		285	-F9
		286	-F9
		287	-F9
		288	-F9
		289	-F9
		290	-F9
		291	-F9
		292	-F9
		293	-F9
		294	-F9
		295	-F9
		296	-F9
		297	-F9
		298	-F9
		299	-F9
		300	-F9
		301	-F9
		302	-F9
		303	-F9
		304	-F9
		305	-F9
		306	-F9
		307	-F9
		308	-F9
		309	-F9
		310	-F9
		311	-F9
		312	-F9
		313	-F9
		314	-F9
		315	-F9
		316	-F9
		317	-F9
		318	-F9
		319	-F9
		320	-F9
		321	-F9
		322	-F9
		323	-F9
		324	-F9
		325	-F9
		326	-F9
		327	-F9
		328	-F9
		329	-F9
		330	-F9
		331	-F9
		332	-F9
		333	-F9
		334	-F9
		335	-F9
		336	-F9
		337	-F9
		338	-F9
		339	-F9
		340	-F9
		341	-F9
		342	-F9
		343	-F9
		344	-F9
		345	-F9
		346	-F9
		347	-F9
		348	-F9
		349	-F9
		350	-F9
		351	-F9
		352	-F9
		353	-F9
		354	-F9
		355	-F9
		356	-F9
		357	-F9
		358	-F9
		359	-F9
		360	-

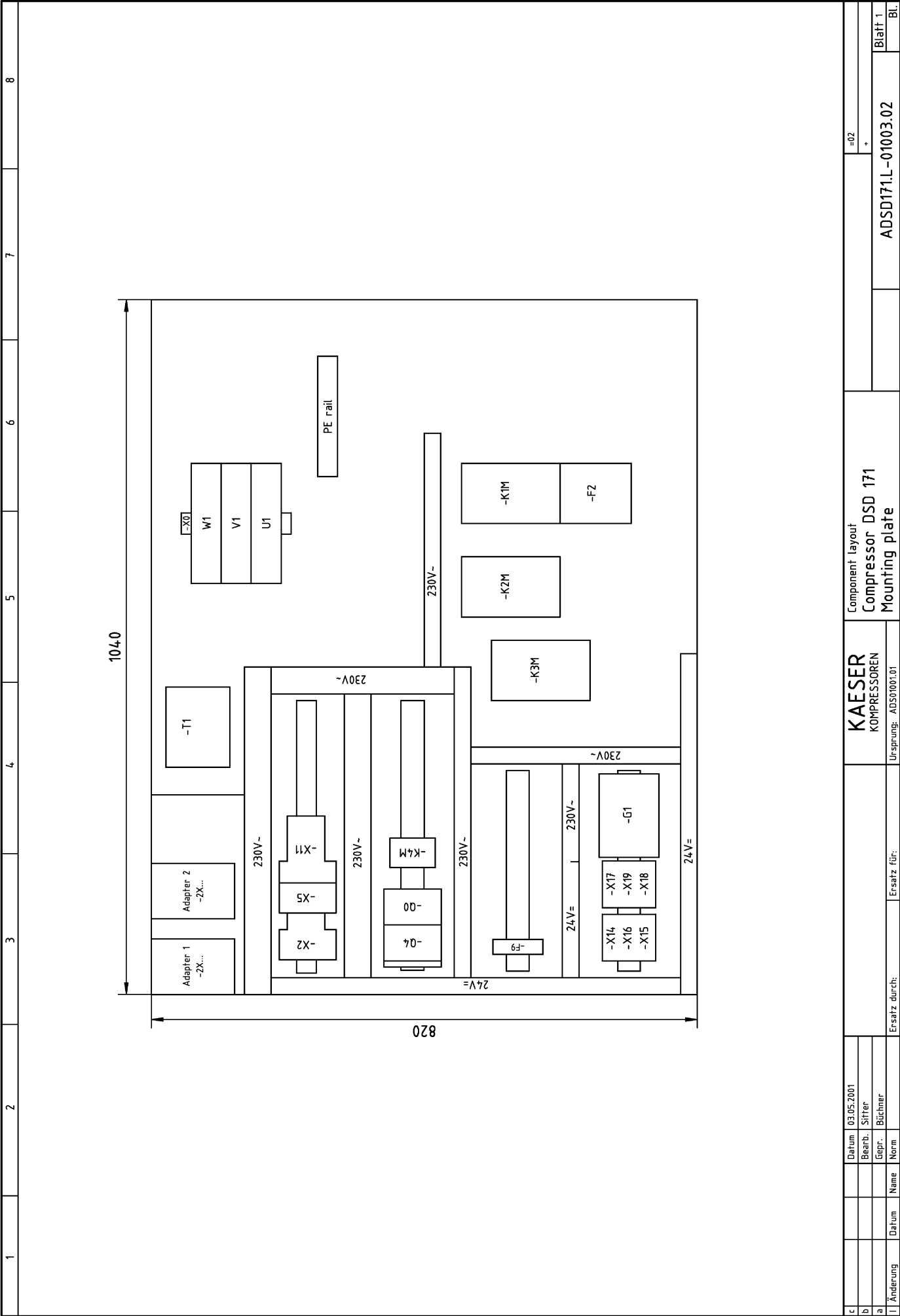


Destination internal				Cable identification																																																																																																																																																																																																																																																																																			
Connection number	Component identification	Location	Wire link	Terminal legend Link	Terminal number	Connection number	Component identification																																																																																																																																																																																																																																																																																
				Terminal strip: -X14																																																																																																																																																																																																																																																																																			
total 18 Terminals				total 18 Terminals																																																																																																																																																																																																																																																																																			
<table border="1"> <tr><td>DI 2</td><td>/6.4</td><td></td><td></td><td></td><td></td><td></td><td></td></tr> <tr><td>DI 3</td><td>/6.4</td><td>-F2</td><td></td><td></td><td></td><td></td><td></td></tr> <tr><td>DI 7</td><td>/7.2</td><td>-KM</td><td>44</td><td></td><td></td><td></td><td></td></tr> <tr><td>DI 8</td><td>/7.3</td><td></td><td></td><td></td><td></td><td></td><td></td></tr> <tr><td>DI 9</td><td>/7.4</td><td></td><td></td><td></td><td></td><td></td><td></td></tr> <tr><td>DI 11</td><td>/7.6</td><td></td><td></td><td></td><td></td><td></td><td></td></tr> <tr><td>DI 12</td><td>/7.7</td><td></td><td></td><td></td><td></td><td></td><td></td></tr> <tr><td>P1</td><td>/3.3</td><td>-G1</td><td>+</td><td></td><td></td><td></td><td></td></tr> <tr><td>P2</td><td>/6.4</td><td></td><td></td><td></td><td></td><td></td><td></td></tr> <tr><td>P3</td><td>/6.4</td><td>-F2</td><td>95</td><td></td><td></td><td></td><td></td></tr> <tr><td>P4</td><td>/7.3</td><td></td><td></td><td></td><td></td><td></td><td></td></tr> <tr><td>P5</td><td>/7.4</td><td></td><td></td><td></td><td></td><td></td><td></td></tr> <tr><td>P6</td><td>/7.6</td><td></td><td></td><td></td><td></td><td></td><td></td></tr> <tr><td>P7</td><td>/7.7</td><td>-G1</td><td>M</td><td></td><td></td><td></td><td></td></tr> <tr><td>M1</td><td>/3.3</td><td>-X17</td><td>M1</td><td></td><td></td><td></td><td></td></tr> <tr><td>M2</td><td>/3.3</td><td></td><td></td><td></td><td></td><td></td><td></td></tr> <tr><td>M3</td><td></td><td></td><td></td><td></td><td></td><td></td><td></td></tr> <tr><td>M4</td><td></td><td></td><td></td><td></td><td></td><td></td><td></td></tr> </table>				DI 2	/6.4							DI 3	/6.4	-F2						DI 7	/7.2	-KM	44					DI 8	/7.3							DI 9	/7.4							DI 11	/7.6							DI 12	/7.7							P1	/3.3	-G1	+					P2	/6.4							P3	/6.4	-F2	95					P4	/7.3							P5	/7.4							P6	/7.6							P7	/7.7	-G1	M					M1	/3.3	-X17	M1					M2	/3.3							M3								M4								<table border="1"> <tr><td>DI 1</td><td>/7.4</td><td></td><td></td><td></td><td></td><td></td><td></td></tr> <tr><td>DI 4</td><td></td><td></td><td></td><td></td><td></td><td></td><td></td></tr> <tr><td>DI 5</td><td></td><td></td><td></td><td></td><td></td><td></td><td></td></tr> <tr><td>DI 6</td><td></td><td></td><td></td><td></td><td></td><td></td><td></td></tr> <tr><td>DI 8</td><td>/7.4</td><td></td><td></td><td></td><td></td><td></td><td></td></tr> <tr><td>DI 9</td><td>/7.5</td><td></td><td></td><td></td><td></td><td></td><td></td></tr> <tr><td>DI 10</td><td>/7.6</td><td></td><td></td><td></td><td></td><td></td><td></td></tr> <tr><td>DI 7</td><td>/8.6</td><td></td><td></td><td></td><td></td><td></td><td></td></tr> <tr><td>P1</td><td></td><td></td><td></td><td></td><td></td><td></td><td></td></tr> <tr><td>P2</td><td></td><td></td><td></td><td></td><td></td><td></td><td></td></tr> <tr><td>P3</td><td></td><td></td><td></td><td></td><td></td><td></td><td></td></tr> <tr><td>P4</td><td>/7.4</td><td></td><td></td><td></td><td></td><td></td><td></td></tr> <tr><td>P5</td><td>/7.5</td><td></td><td></td><td></td><td></td><td></td><td></td></tr> <tr><td>P7</td><td>/7.6</td><td></td><td></td><td></td><td></td><td></td><td></td></tr> <tr><td>M1</td><td>/8.6</td><td></td><td></td><td></td><td></td><td></td><td></td></tr> <tr><td>M2</td><td></td><td></td><td></td><td></td><td></td><td></td><td></td></tr> </table>				DI 1	/7.4							DI 4								DI 5								DI 6								DI 8	/7.4							DI 9	/7.5							DI 10	/7.6							DI 7	/8.6							P1								P2								P3								P4	/7.4							P5	/7.5							P7	/7.6							M1	/8.6							M2							
DI 2	/6.4																																																																																																																																																																																																																																																																																						
DI 3	/6.4	-F2																																																																																																																																																																																																																																																																																					
DI 7	/7.2	-KM	44																																																																																																																																																																																																																																																																																				
DI 8	/7.3																																																																																																																																																																																																																																																																																						
DI 9	/7.4																																																																																																																																																																																																																																																																																						
DI 11	/7.6																																																																																																																																																																																																																																																																																						
DI 12	/7.7																																																																																																																																																																																																																																																																																						
P1	/3.3	-G1	+																																																																																																																																																																																																																																																																																				
P2	/6.4																																																																																																																																																																																																																																																																																						
P3	/6.4	-F2	95																																																																																																																																																																																																																																																																																				
P4	/7.3																																																																																																																																																																																																																																																																																						
P5	/7.4																																																																																																																																																																																																																																																																																						
P6	/7.6																																																																																																																																																																																																																																																																																						
P7	/7.7	-G1	M																																																																																																																																																																																																																																																																																				
M1	/3.3	-X17	M1																																																																																																																																																																																																																																																																																				
M2	/3.3																																																																																																																																																																																																																																																																																						
M3																																																																																																																																																																																																																																																																																							
M4																																																																																																																																																																																																																																																																																							
DI 1	/7.4																																																																																																																																																																																																																																																																																						
DI 4																																																																																																																																																																																																																																																																																							
DI 5																																																																																																																																																																																																																																																																																							
DI 6																																																																																																																																																																																																																																																																																							
DI 8	/7.4																																																																																																																																																																																																																																																																																						
DI 9	/7.5																																																																																																																																																																																																																																																																																						
DI 10	/7.6																																																																																																																																																																																																																																																																																						
DI 7	/8.6																																																																																																																																																																																																																																																																																						
P1																																																																																																																																																																																																																																																																																							
P2																																																																																																																																																																																																																																																																																							
P3																																																																																																																																																																																																																																																																																							
P4	/7.4																																																																																																																																																																																																																																																																																						
P5	/7.5																																																																																																																																																																																																																																																																																						
P7	/7.6																																																																																																																																																																																																																																																																																						
M1	/8.6																																																																																																																																																																																																																																																																																						
M2																																																																																																																																																																																																																																																																																							
Destination external				Cable identification																																																																																																																																																																																																																																																																																			
				Terminal strip: -X15																																																																																																																																																																																																																																																																																			
				total 18 Terminals																																																																																																																																																																																																																																																																																			
				total 18 Terminals																																																																																																																																																																																																																																																																																			

**1) \*\*\*\***          \*\* Default setting can be changed on the user interface          \*\*\* The setting can be set on the user interface  
**2) \*\*\*\***  
**3) load/idling external \*\***  
**4) Remote ON/OFF \*\***

c	Datum	04.05.2001	Ersatz durch:	Terminal schedule Compressor DSD 171 Terminal strip -X14,-X15	Ersatz für:	Compressor DSD 171 Terminal strip -X14,-X15	=02	Blatt 4
b	Bearb.	Syrfer					+	KDSD171.L-01003.02
a	Gepr.	Büchner						
h	Anderung	Name	Norm					
	Datum							





**KAESER**  
KOMPRESSOREN

Component layout  
Compressor DSD 171  
Mounting plate

ADSD171.L-01003.02

Blatt 1  
Bl.

c	Datum	03.05.2001			
b	Bearb.	Sifrer			
a	Gepr.	Büchner			
1	Änderung	Name			

Ersatz durch:

Ursprung: ADSD1001.01

=02 +

**11.2 Spare Parts List**

**KAESER**

<http://www.kaeser.com>

Dok.Nr. SEL-1002\_01D

## Ersatzteilliste

Schraubenkompressor Typ DSD

## Spare parts list

Rotary screw compressor series DSD

## Liste de pièces de rechange

Compresseur à vis Type DSD

## Lista de las piezas de recambio

Compresor de tornillo modelo DSD

**Inhalt** Ersatzteilzeichnung und Legende  
Wartungspakete

**Contents** Spare parts drawing and caption  
Maintenance packages

**Contenu** Vue éclatée et légende  
Packages d'entretien courant

**Indice** Dibujo y leyenda de las piezas de recambio  
Paquetes de mantenimiento

**Typ**  
**Model**  
**Type**  
**Modelo**

**Materialnummer**  
**Part number**  
**Référence**  
**Número material**

**Serialnummer**  
**Serial number**  
**No. de série**  
**Número de série**

### **ACHTUNG !**

Bitte geben Sie bei der Ersatzteilbestellung Material- und Serialnummer der Anlage sowie Positionsnummer und Bezeichnung der Ersatzteile an.

### **ATTENTION !**

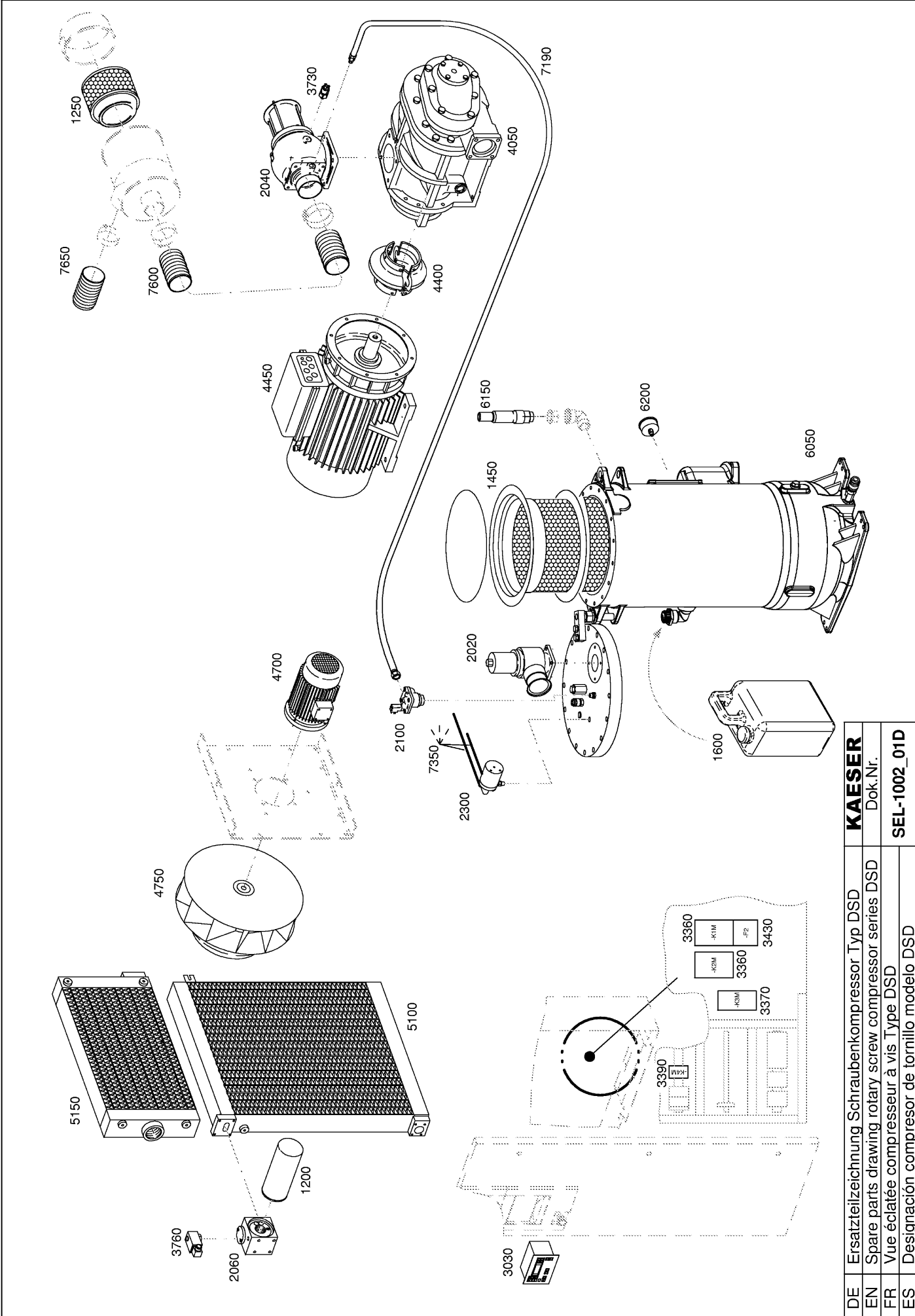
Please quote the part number and serial number of the package together with the item number and the name of the part when ordering.

### **ATTENTION !**

Indiquer sur chaque commande de pièces de rechange la référence et le No. de série de l'appareil, de même que le No. du repère et la désignation de la pièce de rechange.

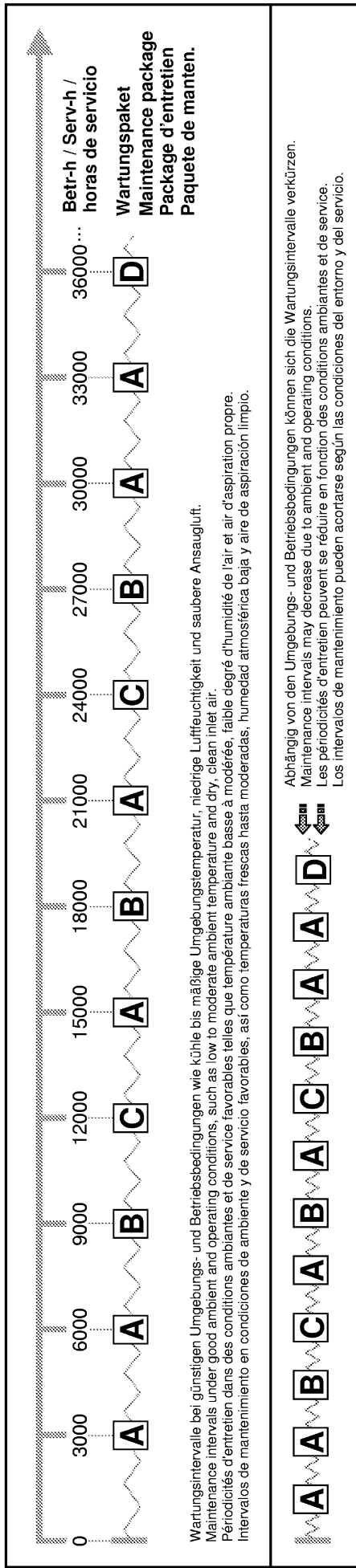
### **¡ ATENCION !**

Cuando pidan piezas de recambio les rogamos nos indiquen el número de material y de la serie, así como el número de la posición y la designación de las piezas de recambio.



DE	Ersatzteilzeichnung Schraubenkompressor Typ DSD	<b>KAESER</b>
EN	Spare parts drawing rotary screw compressor series DSD	Dok.Nr.
FR	Vue éclatée compresseur à vis Type DSD	<b>SEL-1002_01D</b>
ES	Designación compresor de tornillo modelo DSD	

Nr./No.	Stck/Qty	Benennung	Description	Désignation	Designación
1200	1	Ölfilterpatrone	Oil filter element	Cartouche du filtre à huile	Cartucho filtrante de aceite
1250	1	Luftfilterpatrone	Air filter element	Cartouche du filtre à air	Cartucho separador de aceite cpl.
1450	1	Ölabscheidepatrone kpl.	Oil separator cartridge cpl.	Cartouche séparateur cpl.	Fluido refrigerante 20 l
1600	5	Kühlmittel 20 l	Coolant 20 l	Agent réfrigérant 20 l	Válvula de retención pres.mínima cpl.
2020	1	Mindestdruckrückschlagventil kpl.	Minimum pressure / check valve cpl.	Souppape pression mini cpl.	Kit de mantenimiento Vál.rete./pres.mín
2022	1	Wartungs-Kit Mind.dr.rücks.vtl.	Maintenance kit Min.press check v.	Kit d'entretien Soup. pression min	Válvula de admisión cpl.
2024	1	Reparatur-Kit	Repair kit	Kit de réparation Soup. d'aspir. d'air	Kit de mantenimiento Vál. de admisión
2040	1	Einlaßventil kpl.	Inlet valve cpl.	Souppape d'aspiration d'air cpl.	Válvula de admisión cpl.
2042	1	Wartungs-Kit	Maintenance kit	Kit d'entretien Soup.d'aspir.d'air	Kit de mantenimiento Vál. de admisión
2044	1	Reparatur-Kit	Repair kit	Kit de réparation Soup.d'aspir.d'air	Kit de mantenimiento Vál. de admisión
2060	1	Kombiventil kpl.	Combination valve cpl.	Vanne thermostatique cpl.	Válvula combinada cpl.
2062	1	Wartungs-Kit	Maintenance kit	Kit d'entretien Vanne thermostat.	Kit de mantenimiento Válvula combinada
2084	1	Reparatur-Kit	Repair kit	Kit de réparation Vanne thermostat.	Kit de mantenimiento Válvula combinada
2100	1	Kombiniertes Entlüftungs-Hilfsventil kpl.	Combined discharge / auxiliary valve cpl.	Vanne auxiliaire et de décharge combinée	Válvula auxiliar combinada de despresurización cpl.
2102	1	Wartungs-Kit komb.Entl.HV	Maintenance kit Com.aux.vent.valve	Kit d'entretien Van. aux. décharge	Kit de mantenimiento Vál.aux.comb.desp.
2104	1	Reparatur-Kit komb.Entl.HV	Repair kit Com.aux.vent.valve	Kit de réparation Van. aux. décharge	Kit de reparación Vál.aux.comb.desp.
2300	1	Pneumatikventil kpl.	Pneumatic valve	Valve pneumatique compl.	Válvula neumática cpl.
3030	1	Kompressorsteuerung "Sigma Control"	Compressor Controller Sigma Control	Sigma Control	Sigma Control
3360	2	Schütz (-K1M, -K2M)	Contact (-K1M, -K2M)	Contacteur (-K1M, -K2M)	Contacteur (-K1M, -K2M)
3370	1	Schütz (-K3M)	Contact (-K3M)	Contacteur (-K3M)	Contacteur (-K3M)
3390	1	Schütz (-K4M)	Contact (-K4M)	Contacteur (-K4M)	Contacteur (-K4M)
3430	1	Überstromauslöser	Overcurrent relay	Relais de surcharge	Relé de sobretensión
3730	1	Sicherheitsdruckschalter	Safety pressure switch	Safety pressure switch	Presostat de seguridad
3732	1	Schutzkappe	Protective cap	Protection caoutchouc	Cubierta de protección
3760	1	Differenzdruckschalter	Pressure differential switch	Pressostat différentiel	Interruptor por presión diferencial
4050	1	Tausch - Block	Exchange airend	Bloc échange standard	Bloque de cambio
4052	1	Gleitringsdichtung kpl.	Sliding ring seal cpl.	Joint tournant cpl.	Cierre de anillo deslizante
4100	1	Montage Kit Tauschblock	Exchange airend fitting kit	Kit montage bloc	Kit montaje bloque de cambio
4400	1	Kupplung	Coupling	Accouplement	Accoplamiento
4450	1	Antriebsmotor	Drive motor	Moteur de commande	Motor de accionamiento
447	1	Motorlager A-Seite	Motor bearings D-end	Roulement moteur côté A	Rodamientos del motor lado A
448	1	Motorlager B-Seite	Motor bearings N-end	Roulement moteur côté B	Rodamientos de motor lado B
4700	1	Lüftermotor	Fan motor	Moteur ventilé	Motor de ventilador
472	1	Motorlager A-Seite	Motor bearings D-end	Roulement moteur côté A	Rodamientos del motor lado A
473	1	Motorlager B-Seite	Motor bearings N-end	Roulement moteur côté B	Rodamientos de motor lado B
4750	1	Lüfterrad	Fan wheel	Ventilateur	Rueda ventilador
5100	1	Ölkühler kpl.	Oil cooler cpl.	Refroidisseur d'huile cpl.	Refrigerador de aceite cpl.
5150	1	Luftkühler kpl.	Air cooler cpl.	Refroidisseur d'air cpl.	Refrigerador de aire cpl.
6050	1	Ölabscheidebehälter kpl.	Oil separator tank cpl.	Réservoir séparateur d'huile cpl.	Despós.separ.aceite cpl.
6150	1	Sicherheitsventil kpl.	Pressure relief valve cpl.	Souppape de sûreté	Válvula de seguridad
6200	1	Manometer	Pressure gauge	Manomètre	Manómetro
7190	1	Schlauchleitung komb.Entl.HV-Einlaßventil	Hose line Com.aux.vent.valve-Inlet valve	Tuyau flexible Van.aux.décharge-Soup.d'aspir.d'air	Vál.aux.comb.desp.-Vál. de admisión
7350	1	Steuerleitungs-Kit	Control line Kit	Kit conduite de régulation	Kit conducto de control
7600	1	Luftansaugschlauch	Air inlet hose	Tuyau	Tubo de aspiración de aire
7650	1	Luftansaugschlauch	Air inlet hose	Tuyau	Tubo de aspiración de aire



Wartungspaket Maintenance package Package d'entretien Paquete de mantenimiento	A
Nr. / No.	Stück / Qty.
1200	1
1250	1
1600*)	5

\*) Sigma Fluid FGL

Wartungspaket Maintenance package Package d'entretien Paquete de mantenimiento	B
Nr. / No.	Stück / Qty.
1200	1
1250	1
1450	1
1600*)	5

\*) Sigma Fluid Plus / Sigma Fluid FGL

Wartungspaket Maintenance package Package d'entretien Paquete de mantenimiento	C
Nr. / No.	Stück / Qty.
1200	1
1250	1
1600*)	5
2022	1
2042	1
2062	1
2102	1
472	1
473	1

\*) Sigma Fluid FGL

Wartungspaket Maintenance package Package d'entretien Paquete de mantenimiento	D
Nr. / No.	Stück / Qty.
1200	1
1250	1
1450	1
1600*)	5
2024	1
2044	1
2064	1
2104	1
4400	1
447	1
448	1
472	1
473	1
7190	1
7600	1
7650	1

\*) Sigma Fluid Plus / Sigma Fluid FGL

Vor und bei Ausführung aller Arbeiten sind die Sicherheits- und Servicehinweise in der Betriebsanleitung der Maschine zu beachten!  
Before and during all work, be sure to read and follow the safety and service instructions contained in the machine Service Manual!  
Avant et lors de l'exécution de travaux, il est impératif de respecter les consignes de sécurité et de maintenance décrites dans la notice d'utilisation de la machine.  
¡Se ruega observar las indicaciones de seguridad y mantenimiento en las instrucciones de servicio de la máquina antes de efectuar cualquier trabajo y durante el mismo!

DE	Wartungspakete Schraubenkompressor Typ DSD	<b>KAESER</b>
EN	Maintenance packages rotary screw compressor series DSD	Dok.Nr.
FR	Package d'entretien courant compresseur à vis Type DSD	<b>SEL-1002_01D</b>
ES	Paquetes de mantenimiento compresor de tornillo modelo DSD	