

Atlas Copco Stationary Air Compressors

GA90, GA110, GA132, GA160
GA90 W, GA110 W, GA132 W, GA160 W

Parts list

From following serial No. onwards :

AIF - 056 813



- Copyright 2005, Atlas Copco Airpower n.v., Antwerp, Belgium.
Any unauthorized use or copying of the contents or any part thereof is prohibited. This applies in particular to trademarks, model denominations, part numbers and drawings.
- **Use only authorized parts.** Any damage or malfunction caused by the use of unauthorized parts is not covered by Warranty or Product Liability.

No. 2930 1283 05
Replaces No. 2930 1283 04

Registration code : APC GA \geq 90 / 39

2005-12

www.atlascopco.com

Atlas Copco

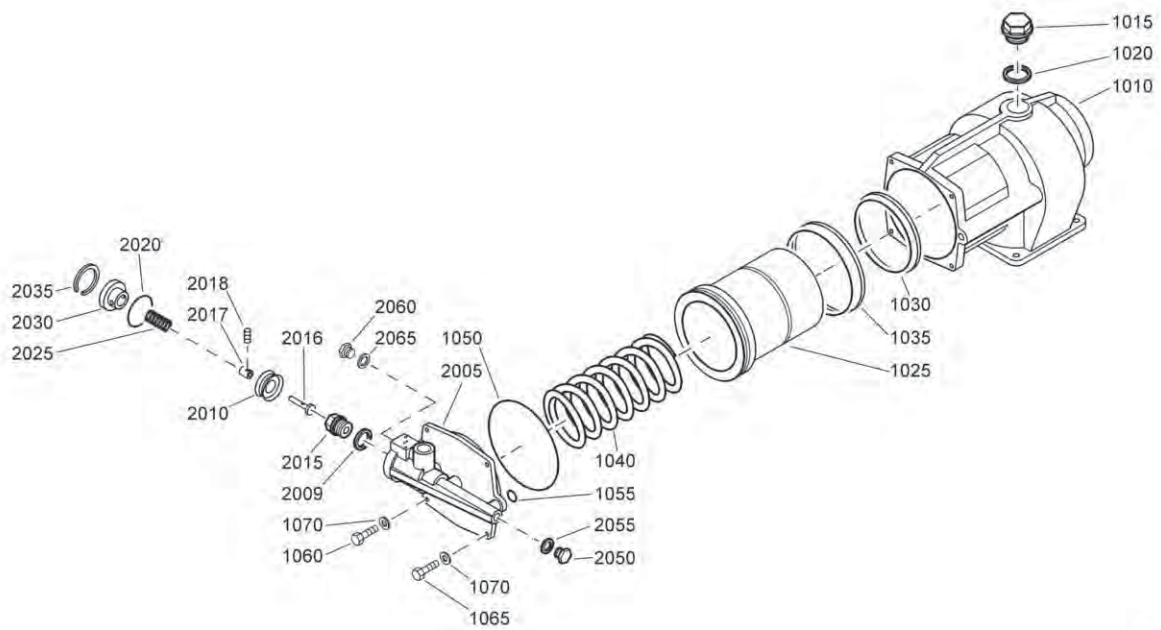
Contents
Inhoud
Innehåll
Inhaltsverzeichnis
Table des matières
Indice

Indice
Innholdsfortegnelse
Indice
Indholdsfortegnelse
Sisällysluettelo

Unloading valve Ontlastventiel Avlastningsventil Entlastungsventil Soupape de décharge Válvula de descarga Valvola di messa a vuoto Aflastningsventil Válvula de descarga Avlastningsventil Kevennysventtiili	1	Air outlet Luchtuitlaat Luftutlopp Luftauslaß Sortie d'air Salida de aire Mandata dell'aria Luftafgang Saida de ar Luftutløp Paineilmaputki	
Drive arrangement Aandrijfuitvoering Drivarrangemang Antriebsanordnung Dispositif d'entraînement Disposición de accionamiento Disposizione di azionamento Arrangement Disposição de accionamento Drivarrangement Rakenne	2	- Pack	11
Air inlet Luchtinlaat Luftintag Lufteinlaß Admission d'air Entrada de aire Presa d'aria Luftindsug Admissão de ar Luftinnløp Tuloilma		- Full-feature	12
- GA	3	- Full-feature + DD filter	13
- GA W	4	Cooler(s) Koeler(s) Kylare Kühler Refrroidisseur(s) Refrigerador(es) Refrigeratore(i) Kølere Refrigerador(es) Kjøler(e) Jäähdyyttimet	
- Standard option - Heavy duty filter	5	- GA	14
Air receiver Luchtketel Luftbehållare Luftbehälter Réservoir d'air Depósito de aire Serbatoio dell'aria Luftbeholder Reservatório de ar Luftbeholder Ilmasäiliö		- GA W	15
- GA 90-110-132-160 3)	6	Frame and coupling Frame en koppeling Ram och koppling Rahmen und Kupplung Châssis et accouplement Bastidor y acoplamiento Telaio e giunto Ramme og kobling Base e acoplamento Ramme og kopling Runko ja kytkin	16
- GA 90-110 4)	7	Fan and cooling duct plates - GA Ventilator en koelluchtgeleideplaten Fläkt och kylkanalplåtar Ventilator und Kühlluftleitbleche Ventilateur et conduits de refroidissement Ventilador y paneles de conducción de refrigeración Ventilatore e intubatura Ventilator og køleledeplader Ventilador e paineis das condutas de refrigeração Vifte og kjølekanalplater Puhallin ja jäähdyytyskanavalevyt	17
- GA 132-160 4)	8	Regulating system Regelsysteem Reglersystem Regelsystem Système de régulation Sistema de regulación Sistema di regolazione Reguleringssystem Sistema de regulação Reguleringssystem Säätöjärjestelmä	
Air and oil system Lucht- en oliesysteem Luft- och oljesystem Luft- und Ölsystem Système d'air et d'huile Sistema de aire y aceite Sistema di aria e olio Luft- og oliesystem Circuitos de ar e óleo Luft- og oljesystem Ilma- ja öljyjärjestelmä		- 1)	18
- GA	9	- 2)	19
- GA W	10		

Drain system			
Aftapsysteem			
Avtappingsystem			
Ablafsysteem			
Système de vidange			
Sistema de drenaje			
Sistema di scarico			
Drænsystem			
Sistema de drenagem de condensados			
Avtappingsystem			
Lauhteenpoistojärjestelmä			
- Basic- and DD-filter drain	20		
- Electronic Drain System	21		
- Oil Separator Condensate Drain	22		
Bodywork			
Carrosserie			
Karosseri			
Karosserie			
Capotage			
Carroceria			
Cappottatura			
Karosseri			
Carroceria			
Kabinett			
Kotelo			
- GA	23		
- GA W	24		
Cubicle			
Kast			
Skåp			
Schaltschrank			
Armoire			
Armario			
Armadio elettrico			
Elskab			
Quadro			
Skap			
Kotelo			
- 1)	25		
- 2)	26		
Air dryer			
Luchtdroger			
Lufttorkare			
Lufttrockner			
Sécheur d'air			
Secador de aire			
Essiccatore d'aria			
Lufttørrer			
Secador de ar			
Lufttørker			
Kuivain			
- GA90-110	27		
- GA90-110 W	28		
- GA132-160	29		
- GA132-160 W	30		
Energiereduceringsystem - Optional			
Energiåtervinningsystem			
Energierückgewinnungssystem			
Système de récupération d'énergie			
Sistema de recuperación de energía			
Sistema di recupero energia			
Energigenvinding			
Sistema de recuperação de energia			
Energigjenvinningsystem			
Energian talteenottojärjestelmä	31		
Start cubicle - star/delta			
Startkast - ster/driehoek			
Startskåp - stjärn/triangel			
Anlaßschrank - Stern/Dreieck			
Armoire de démarrage - étoile/triangle			
Cubículo de arranque - estrella/triángulo			
Armadio apparecch. di avviamento - stella/triangolo			
Starterskab - stjerne/trekant			
Cubículo-arranque estrela/triángulo			
Startskap - stjerne-trekant			
Käynnistinkotelo - Y/D			
- Control Voltage 230/24V-Full options - 1)	32		
- Control Voltage 230/24V-Full options - 2)	33		
- Control Voltage 115/24V-CSA/UL-Full options - 1)	34		
- Control Voltage 115/24V-CSA/UL-Full options - 2)	35		
- Control Voltage 230/24V-COM 1option only - 1)	36		
- Control Voltage 230/24V-Basic parts - 2)	37		
- Control Voltage 115/24V-CSA/UL-COM option only - 1)	38		
Start cubicle - without starter			
- Control Voltage 230/24V-Full options - 1)	39		
- Control Voltage 230/24V-Full options - 2)	40		
- Control Voltage 115/24V-CSA/UL-Full options - 1)	41		
- Control Voltage 115/24V-CSA/UL-Full options - 2)	42		
Service kits			
Service kits			
Service kits			
Service Kits			
Service kits			
Service kits			
Kit per la manutenzione			
Service kits			
Conjuntos de reparação			
Servicesett			
Huoltotarvikesarjat	43		
1-3) Up to serial No. : Tot serienummer: T.o.m. tillverkningsnummer: Bis Seriennummer: Jusqu'au numéro de série: Hasta el número de serie: Fino al numeri di serie: Gælder til følgende serienumre: Até o número de série: Til følgende serienummer: Seuraavaan valmistusnumeroon asti, No.: 1) AIF-078 299 3) GA 90-110 : AIF-084 861, GA 132-160 : AIF-084 239			
2-4) From following serial No. onwards: Geldig vanaf volgend serienummer: Fr.o.m. tillverkningsnummer: Gültig ab Seriennummer: Valable à partir du numéro de série suivant: A partir del siguiente número de serie: Dai seguenti numeri di serie in avanti: Gælder fra følgende serienumre: A partir do número de série: Fra og med følgende serienummer: Alkaen valmistusnumerosta 2) AIF-078 300 4) GA 90-110 : AIF-084 862, GA 132-160 : AIF-084 240			

1



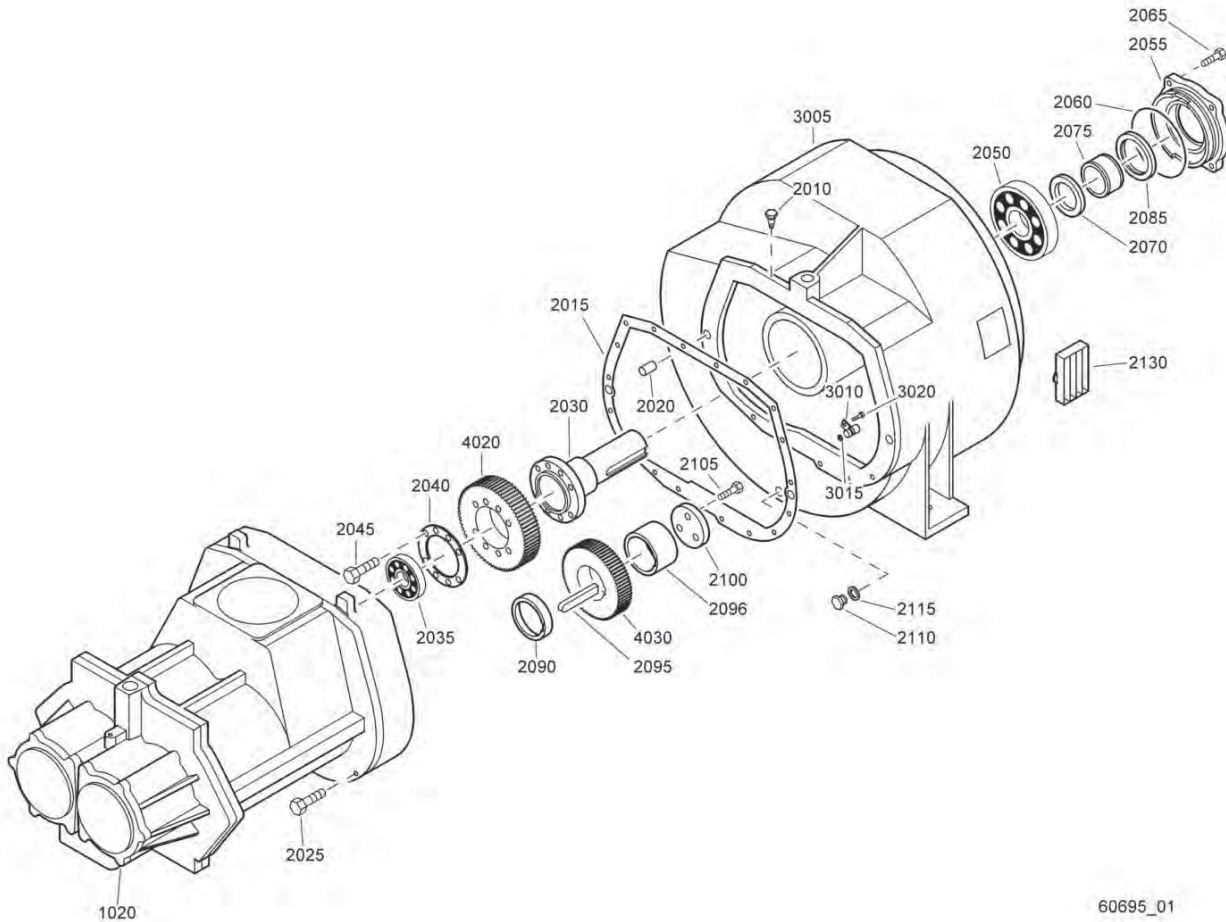
61782_20

Unloading valve

Ref.	Part number	Qty	Name	Remarks	Ref.	Part number	Qty	Name	Remarks
	1614 9008 80	1	Unloader assembly		2009	0661 1000 36	•• 1	Seal washer	
1010	1614 9008 00	• 1	Valve housing		2010	1614 9154 00	•• 1	Valve seat	
1015	2250 2528 00	• 1	Plug screw		2015	1621 9133 00	•• 1	Piston	
1020	0661 1000 31	• 1	Seal washer		2016	1621 9146 00	•• 1	Pin	
1025	1614 9173 00	• 1	Valve		2017	1621 9145 00	•• 1	Bushing	
1030	1619 6142 00	• 1	Sealring		2018	0196 1552 98	•• 1	Set screw	
1035	1619 6143 00	• 1	Sealring		2020	0663 9868 00	•• 1	O-ring	
1040	1614 9282 00	• 1	Spring		2025	1614 9156 00	•• 1	Spring	
1050	0663 2109 71	• 1	O-ring		2030	1621 9136 00	•• 1	Cover	
1055	0663 2109 73	• 2	O-ring		2035	0335 2150 00	•• 1	Circlips	
1060	0147 1326 03	• 2	Bolt		2050	0686 3716 38	•• 1	Plug	
1065	0147 1958 97	• 2	Bolt		2055	0653 9078 00	•• 1	Flat gasket	
1070	0301 2335 00	• 4	Washer		2060	0686 4201 03	•• 1	Plug	
	1614 9177 80	• 1	Cover assembly		2065	0653 0500 08	•• 1	Flat gasket	
2005	1614 9177 00	•• 1	Valve cover						

2

Drive arrangement

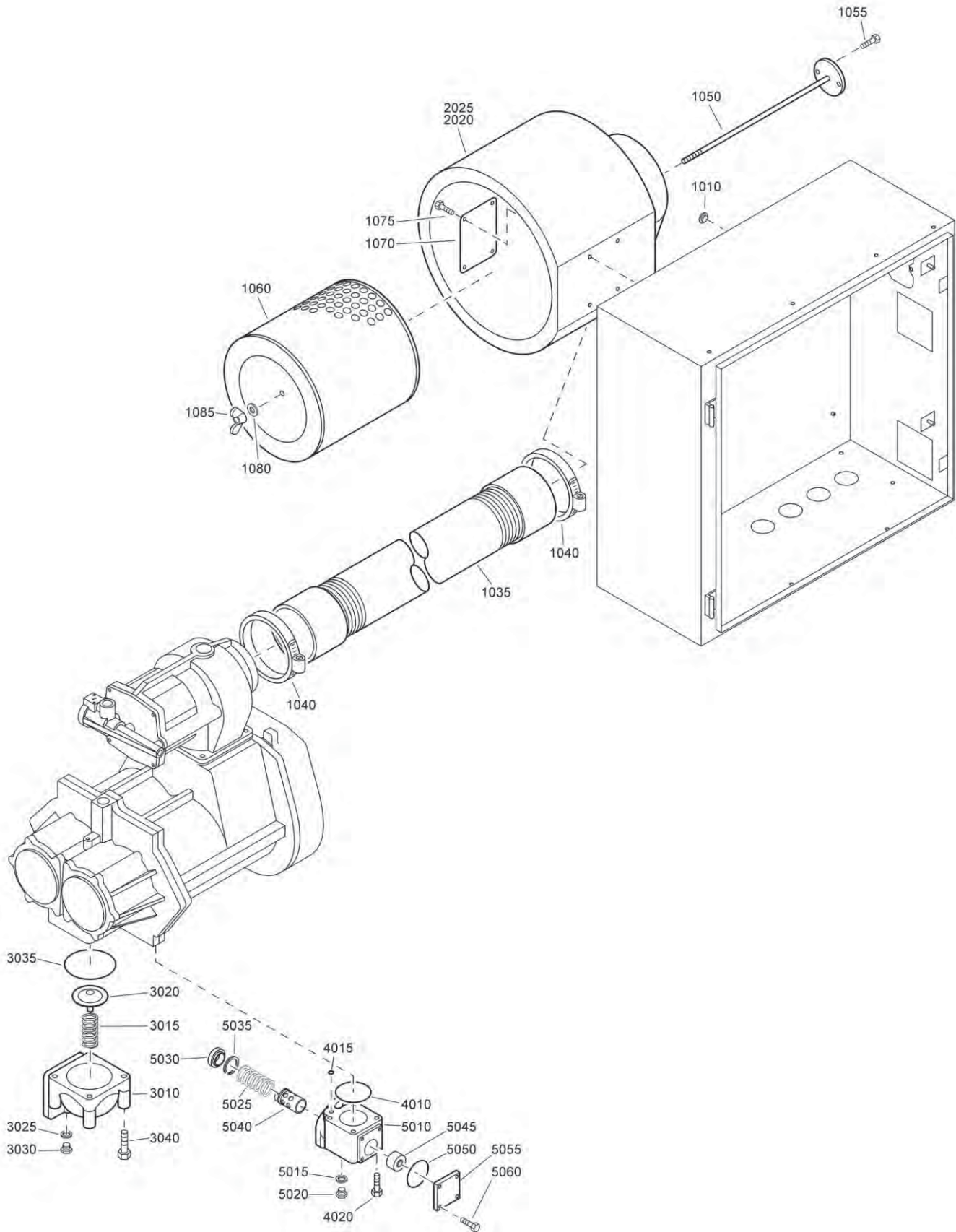


60695_01

Ref.	Part number	Qty	Name	Remarks	Ref.	Part number	Qty	Name	Remarks
1020	2989 0122 00	1	Service stage		2130		2	Grating	
2010	1619 6032 00	1	Nipple	1)	1614 6611 00		2)	2)3)4)5)	
2015	1202 7003 00	1	Gasket		1614 9372 00		6)	6)	
2020	0101 1626 00	2	Pin		1614 9371 00		7)	7)	
2025	0147 1380 03	18	Bolt				1	Gearcasing assembly	
2030	1616 5735 00	1	Drive shaft		1614 9004 80		2)	2)	
2035	0508 2158 01	1	Roller bearing		1614 9005 80		3)	3)	
2040	2252 5476 00	1	Locking plate		1614 9102 80		4)	4)	
2045	0211 1409 00	8	Cap screw		1614 9103 80		5)	5)	
2050	0506 0100 08	1	Roller bearing		1614 9350 80		6)	6)	
2055	2252 5479 00	1	Retainer		1614 9400 80		7)	7)	
2060	0663 2107 76	1	O-ring		3005		1	Gear casing	
2065	0147 1366 03	4	Bolt		1614 9004 00	•	2)	2)	
2070	2252 5477 00	1	Washer		1614 9005 00	•	3)	3)	
2075	2252 5478 00	1	Bushing		1614 9102 00	•	4)	4)	
2085	1614 9429 00	1	Seal		1614 9103 00	•	5)	5)	
2090	2254 8832 00	1	Bushing		1614 9350 00	•	6)	6)	
2095	0337 6074 00	1	Parallel key		1614 9400 00	•	7)	7)	
2096	1614 9159 00	1	Bushing		3010	1614 9098 00	•	1	Nozzle
2100	2252 5470 00	1	Washer		3015	0663 2104 63	•	1	O-ring
2105	0211 1409 00	3	Cap screw		3020	0147 1244 03	•	1	Bolt
2110	0686 3716 02	1	Plug		4020		1	Gear wheel	
2115	0661 1000 27	1	Seal washer		1614 9302 00			GA90(W)-6.9bar HAT/Yes	

Ref.	Part number	Qty	Name	Remarks	Ref.	Part number	Qty	Name	Remarks
	1614 9316 00		GA90(W)-6.9bar HAT/Yes		1614 9309 00			GA110(W)-7.5bar HAT/No	
	1614 9346 00		GA90(W)-6.9bar HAT/No		1614 9329 00			GA110(W)-7.5bar HAT/Yes	
	1614 9300 00		GA90(W)-7.5bar HAT/No		1614 9311 00			GA110(W)-8.5bar HAT/No	
	1614 9346 00		GA90(W)-7.5bar HAT/Yes		1614 9301 00			GA110(W)-8.5bar HAT/Yes	
	1614 9302 00		GA90(W)-8.5bar HAT/No		1614 9303 00			GA110(W)-8.6bar HAT/No	
	1614 9304 00		GA90(W)-8.5bar HAT/Yes		1614 9305 00			GA110(W)-8.6bar HAT/Yes	
	1614 9306 00		GA90(W)-8.6bar HAT/Yes		1614 9315 00			GA110(W)-10.4bar HAT/No	
	1614 9316 00		GA90(W)-8.6bar HAT/No		1614 9321 00			GA110(W)-10.4bar HAT/Yes	
	1614 9306 00		GA90(W)-10.4bar HAT/No		1614 9313 00			GA110(W)-10bar HAT/No	
	1614 9318 00		GA90(W)-10.4bar HAT/Yes		1614 9347 00			GA110(W)-10bar HAT/Yes	
	1614 9304 00		GA90(W)-10bar HAT/No		1614 9345 00			GA110(W)-13bar HAT/No	
	1614 9306 00		GA90(W)-10bar HAT/Yes		1614 9321 00			GA110(W)-13.8bar HAT/No	
	1614 9306 00		GA90(W)-13bar HAT/No		1614 9323 00			GA132(W)-7.5bar HAT/No	
	1614 9318 00		GA90(W)-13.8bar HAT/No		1614 9337 00			GA132(W)-7.5bar HAT/Yes	
	1614 9302 00		GA110(W)-6.9bar HAT/Yes		1621 9278 00			GA132(W)-8.5bar HAT/No	
	1614 9328 00		GA110(W)-6.9bar HAT/No		1614 9309 00			GA132(W)-8.5bar HAT/Yes	
	1614 9308 00		GA110(W)-7.5bar HAT/No		1614 9327 00			GA132(W)-10bar HAT/No	
	1614 9328 00		GA110(W)-7.5bar HAT/Yes		1614 9329 00			GA132(W)-10bar HAT/Yes	
	1614 9310 00		GA110(W)-8.5bar HAT/No		1614 9329 00			GA132(W)-13bar HAT/No	
	1614 9300 00		GA110(W)-8.5bar HAT/Yes		1614 9339 00			GA160(W)-6.9bar HAT/No	
	1614 9302 00		GA110(W)-8.6bar HAT/No		1614 9343 00			GA160(W)-6.9bar HAT/Yes	
	1614 9304 00		GA110(W)-8.6bar HAT/Yes		1614 9331 00			GA160(W)-7.5bar HAT/No	
	1614 9314 00		GA110(W)-10.4bar HAT/No		1614 9335 00			GA160(W)-7.5bar HAT/Yes	
	1614 9320 00		GA110(W)-10.4bar HAT/Yes		1614 9333 00			GA160(W)-8.5bar HAT/No	
	1614 9312 00		GA110(W)-10bar HAT/No		1614 9323 00			GA160(W)-8.5bar HAT/Yes	
	1614 9346 00		GA110(W)-10bar HAT/Yes		1614 9311 00			GA160(W)-8.6bar HAT/Yes	
	1614 9344 00		GA110(W)-13bar HAT/No		1614 9343 00			GA160(W)-8.6bar HAT/No	
	1614 9320 00		GA110(W)-13.8bar HAT/No		1614 9341 00			GA160(W)-10.4bar HAT/No	
	1614 9322 00		GA132(W)-7.5bar HAT/No		1614 9313 00			GA160(W)-10.4bar HAT/Yes	
	1614 9336 00		GA132(W)-7.5bar HAT/Yes		1614 9335 00			GA160(W)-10bar HAT/No	
	1621 9277 00		GA132(W)-8.5bar HAT/No		1614 9337 00			GA160(W)-10bar HAT/Yes	
	1614 9308 00		GA132(W)-8.5bar HAT/Yes		1614 9337 00			GA160(W)-13bar HAT/No	
	1614 9326 00		GA132(W)-10bar HAT/No		1614 9301 00			GA160(W)-13.8bar HAT/No	
	1614 9328 00		GA132(W)-10bar HAT/Yes						
	1614 9328 00		GA132(W)-13bar HAT/No						
	1614 9338 00		GA160(W)-6.9bar HAT/No						
	1614 9342 00		GA160(W)-6.9bar HAT/Yes						
	1614 9330 00		GA160(W)-7.5bar HAT/No						
	1614 9334 00		GA160(W)-7.5bar HAT/Yes						
	1614 9332 00		GA160(W)-8.5bar HAT/No						
	1614 9322 00		GA160(W)-8.5bar HAT/Yes						
	1614 9310 00		GA160(W)-8.6bar HAT/Yes						
	1614 9342 00		GA160(W)-8.6bar HAT/No						
	1614 9340 00		GA160(W)-10.4bar HAT/No						
	1614 9312 00		GA160(W)-10.4bar HAT/Yes						
	1614 9334 00		GA160(W)-10bar HAT/No						
	1614 9336 00		GA160(W)-10bar HAT/Yes						
	1614 9336 00		GA160(W)-13bar HAT/No						
	1614 9300 00		GA160(W)-13.8bar HAT/No						
4030		1	Gear wheel		1) Vibration monitoring "Shock Pulse Measurement" / Trillingskontrolle "SPM" / Vibrationskontrolle "Stötpuls-mätning" / Schwingungsüberwachung "SPM" / Surveillance des vibrations "SPM" / Monitorización de vibraciones "SPM" / Controllo di vibrazione "SPM" / Vibrationsovervågning "SPM" / Controlo de vibrações SPM / Vibrasjonsovervåking "SPM" / SPM-tärinänvalvonta				
	1614 9303 00		GA90(W)-6.9bar HAT/Yes		2) GA90(W) IEC 7.5-8.5-10Bar/50Hz ABB motor,				
	1614 9317 00		GA90(W)-6.9bar HAT/Yes		GA90(W) IEC 8.6Bar ABB motor,				
	1614 9347 00		GA90(W)-6.9bar HAT/No		GA110(W) IEC 10-13Bar/50Hz ABB motor,				
	1614 9301 00		GA90(W)-7.5bar HAT/No		GA90(W)-110(W)-132(W)-160(W)				
	1614 9347 00		GA90(W)-7.5bar HAT/Yes		Without Motor IEC_FF_500				
	1614 9303 00		GA90(W)-8.5bar HAT/No		3) GA90(W)-GA110(W) 60Hz NEMA,				
	1614 9305 00		GA90(W)-8.5bar HAT/Yes		GA90(W)-110(W)-132(W)-160(W) 445TSDNEMA motor				
	1614 9307 00		GA90(W)-8.6bar HAT/Yes		4) GA110 (W) IEC 10.4-13.8Bar/60Hz ABB motor,				
	1614 9317 00		GA90(W)-8.6bar HAT/No		GA90(W)-110(W)-132(W)-160(W)				
	1614 9307 00		GA90(W)-10.4bar HAT/No		without motor IEC_FF_600,				
	1614 9319 00		GA90(W)-10.4bar HAT/Yes		GA132(W) IEC 13Bar/50Hz ABB motor,				
	1614 9305 00		GA90(W)-10bar HAT/No		GA160(W) IEC 7.5-8.5Bar/50Hz ABB motor,				
	1614 9307 00		GA90(W)-10bar HAT/Yes		GA160(W) IEC 6.9-8.6-10.4Bar/60Hz ABB motor				
	1614 9307 00		GA90(W)-13bar HAT/No		5) GA90(W)-110(W)-132(W)-160(W) 505TSDNEMA motor,				
	1614 9319 00		GA90(W)-13.8bar HAT/No		GA160(W) /60Hz NEMA WEG motor				
	1614 9303 00		GA110(W)-6.9bar HAT/Yes		6) GA90(W) IEC 13Bar/50Hz ABB motor,				
	1614 9329 00		GA110(W)-6.9bar HAT/No		GA90(W) IEC 6.9-10.4-13.8Bar/60Hz ABB motor,				
					GA110(W) IEC 7.5-8.5Bar/50Hz ABB motor				
					7) GA110(W) IEC 6.9-8.6Bar/60Hz ABB motor,				
					GA132(W) IEC 7.5-8.5-10Bar/50Hz ABB motor,				
					GA160(W) IEC 10-13Bar/50Hz ABB motor,				
					GA160(W) IEC 13.8Bar/60Hz ABB motor				

3

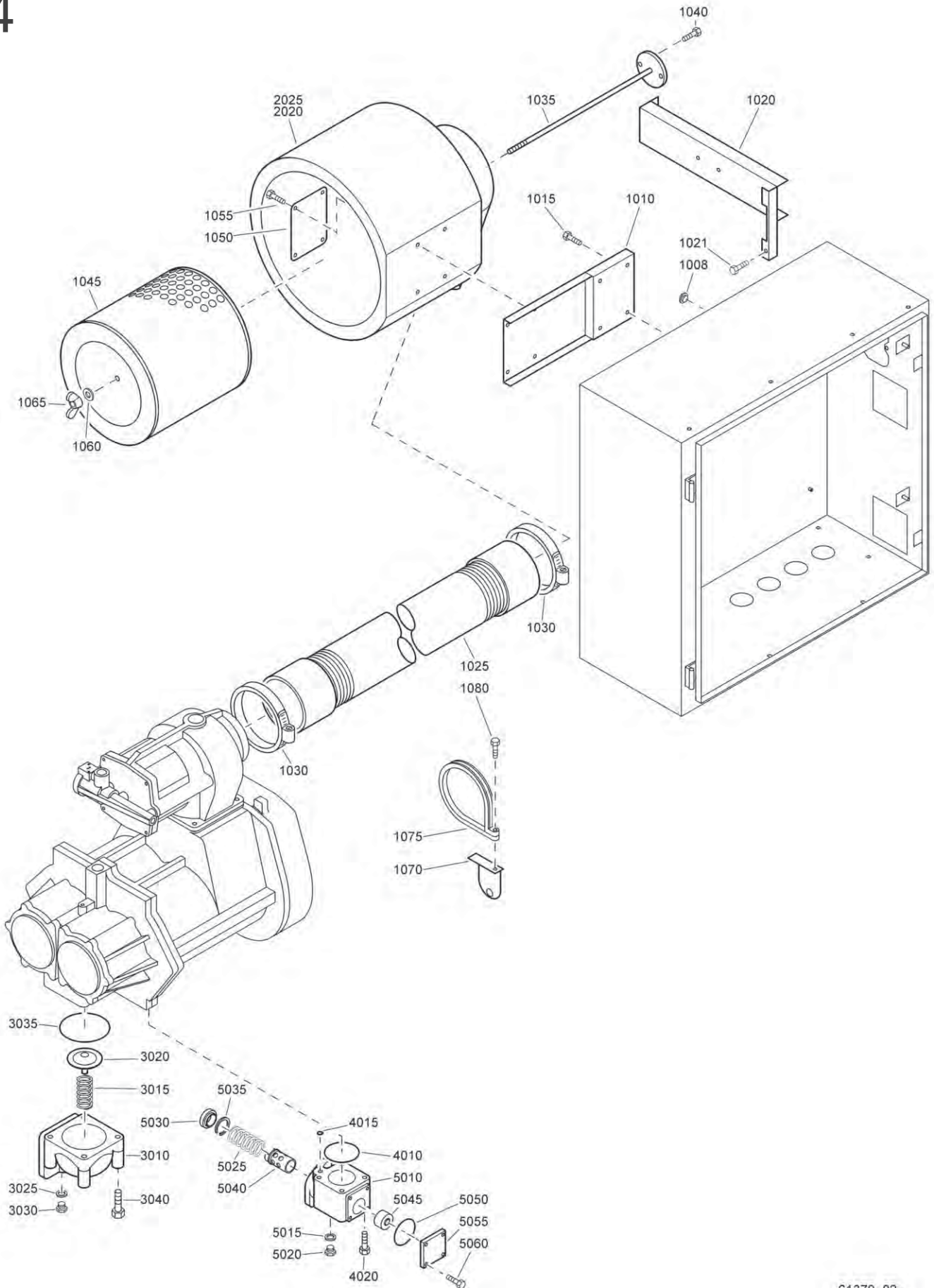


61378_02

Air inlet - GA

Ref.	Part number	Qty	Name	Remarks	Ref.	Part number	Qty	Name	Remarks
1010	1616 2987 00	4	Plug		3030	0686 3716 01	2	Plug	
1035		1	Hose assembly		3035	0663 2106 20	1	O-ring	
	1614 9091 00		GA90,GA110		3040	0147 1417 03	4	Bolt	
	1614 9376 00		GA132,GA160		4010	0663 2106 15	1	O-ring	
1040	0347 6121 00	2	Hose clip		4015	0663 2108 12	1	O-ring	
1050	1614 8004 01	1	Rod		4020	0147 1379 03	4	Bolt	
1055	0147 1323 03	2	Bolt			1614 9185 80	1	Oil stop valve	
1060	1030 0979 00	1	Air filter		5010	1614 9185 00	• 1	Valve housing	
1070	1614 9088 00	1	Plate		5015	0661 1000 25	• 1	Seal washer	
1075	0147 1325 03	4	Bolt		5020	0686 3716 01	• 1	Plug	
1080	0301 2358 00	1	Washer		5025	2254 9868 00	• 1	Compr.spring	
1085	0296 1112 02	1	Wing nut		5030	2252 6269 00	• 1	Spring guide	
	1614 9202 80	1	Air filter assembly		5035	0335 2145 00	• 1	Int.circlip	
2020	1614 9202 00	• 1	Filter housing		5040	2255 2751 00	• 1	Valve	
2025	1614 9132 00	• 1	Silencing foam		5045	2255 2813 00	• 1	Piston	
3010	1614 6425 00	1	Housing		5050	0663 2106 12	• 1	O-ring	
3015	2254 8075 00	1	Compr.spring		5055	1614 9120 00	• 1	Cover	
3020	2254 5324 00	1	Check valve		5060	0147 1325 03	• 4	Bolt	
3025	0661 1000 25	2	Seal washer						

4

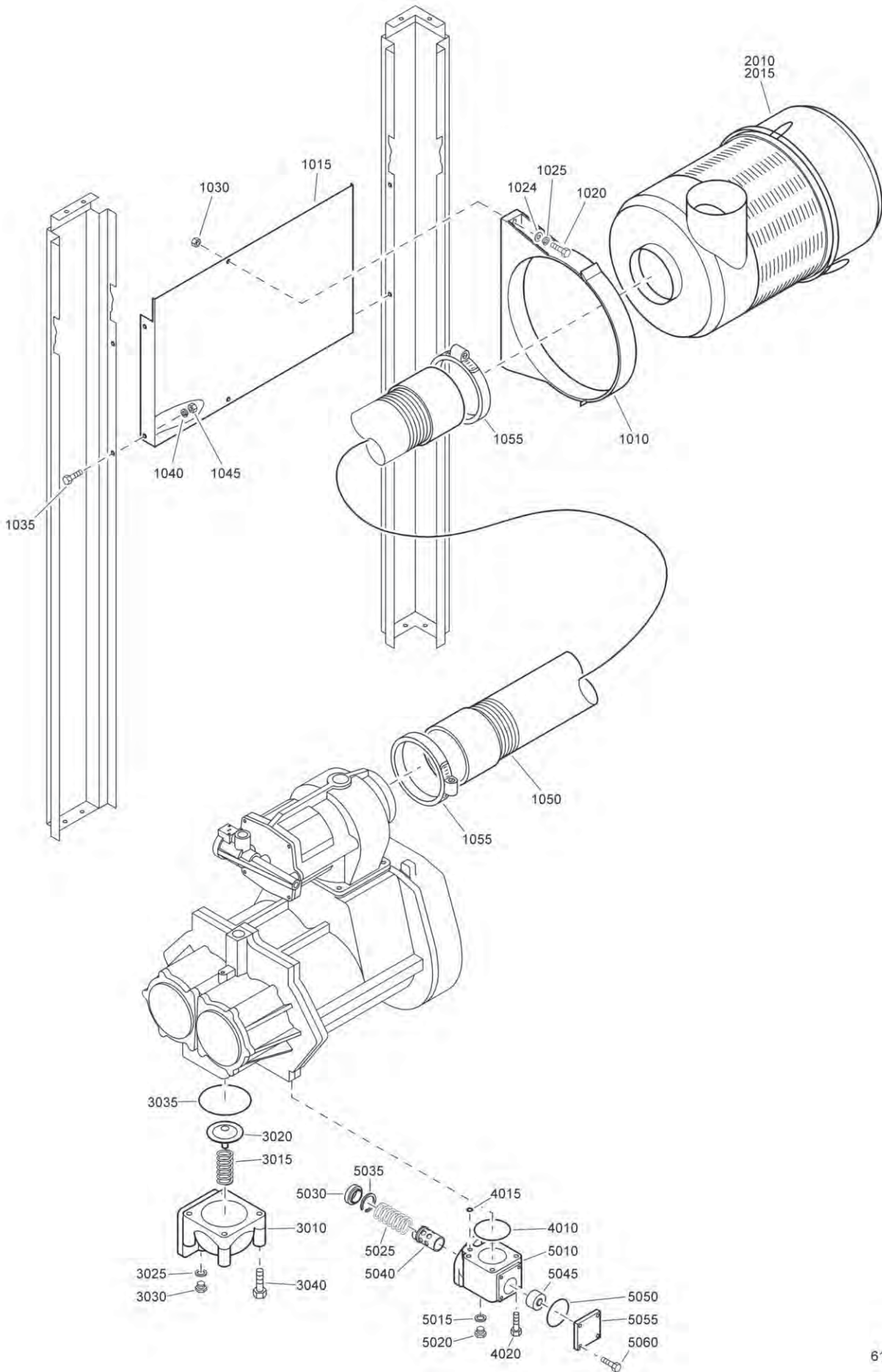


61379_02

Air inlet - GA W

Ref.	Part number	Qty	Name	Remarks	Ref.	Part number	Qty	Name	Remarks
1008	1616 2987 00	8	Plug			1614 9202 80	1	Air filter assembly	
1010		1	Support		2020	1614 9202 00 •	1	Filter housing	
	1614 9370 00		GA132 W,GA160 W		2025	1614 9132 00 •	1	Silencing foam	
	1614 9763 00		GA90 W,GA110 W		3010	1614 6425 00	1	Housing	
1015			Bolt		3015	2254 8075 00	1	Compr.spring	
	1619 2766 00	4	GA132 W,GA160 W		3020	2254 5324 00	1	Check valve	
	1619 2766 00	5	GA90 W,GA110 W		3025	0661 1000 25	2	Seal washer	
1020		1	Support		3030	0686 3716 01	2	Plug	
	1614 9770 00		GA90 W,GA110 W		3035	0663 2106 20	1	O-ring	
1021		1	Bolt		3040	0147 1417 03	4	Bolt	
	1619 2766 00		GA90 W,GA110 W		4010	0663 2106 15	1	O-ring	
1025		1	Hose assembly		4015	0663 2108 12	1	O-ring	
	1614 9091 00		GA132 W,GA160 W		4020	0147 1379 03	4	Bolt	
	1614 9376 00		GA90 W,GA110 W			1614 9185 80	1	Oil stop valve	
1030	0347 6121 00	2	Hose clip		5010	1614 9185 00 •	1	Valve housing	
1035	1614 8004 01	1	Rod		5015	0661 1000 25 •	1	Seal washer	
1040	0147 1323 03	2	Bolt		5020	0686 3716 01 •	1	Plug	
1045	1030 0979 00	1	Air filter		5025	2254 9868 00 •	1	Compr.spring	
1050	1614 9088 00	1	Plate		5030	2252 6269 00 •	1	Spring guide	
1055	0147 1325 03	4	Bolt		5035	0335 2145 00 •	1	Int.circlip	
1060	0301 2358 00	1	Washer		5040	2255 2751 00 •	1	Valve	
1065	0296 1112 02	1	Wing nut		5045	2255 2813 00 •	1	Piston	
1070	1614 9772 00	1	Support		5050	0663 2106 12 •	1	O-ring	
1075	0346 1000 27	1	Pipe clamp		5055	1614 9120 00 •	1	Cover	
1080	1619 2766 00	1	Bolt		5060	0147 1325 03 •	4	Bolt	

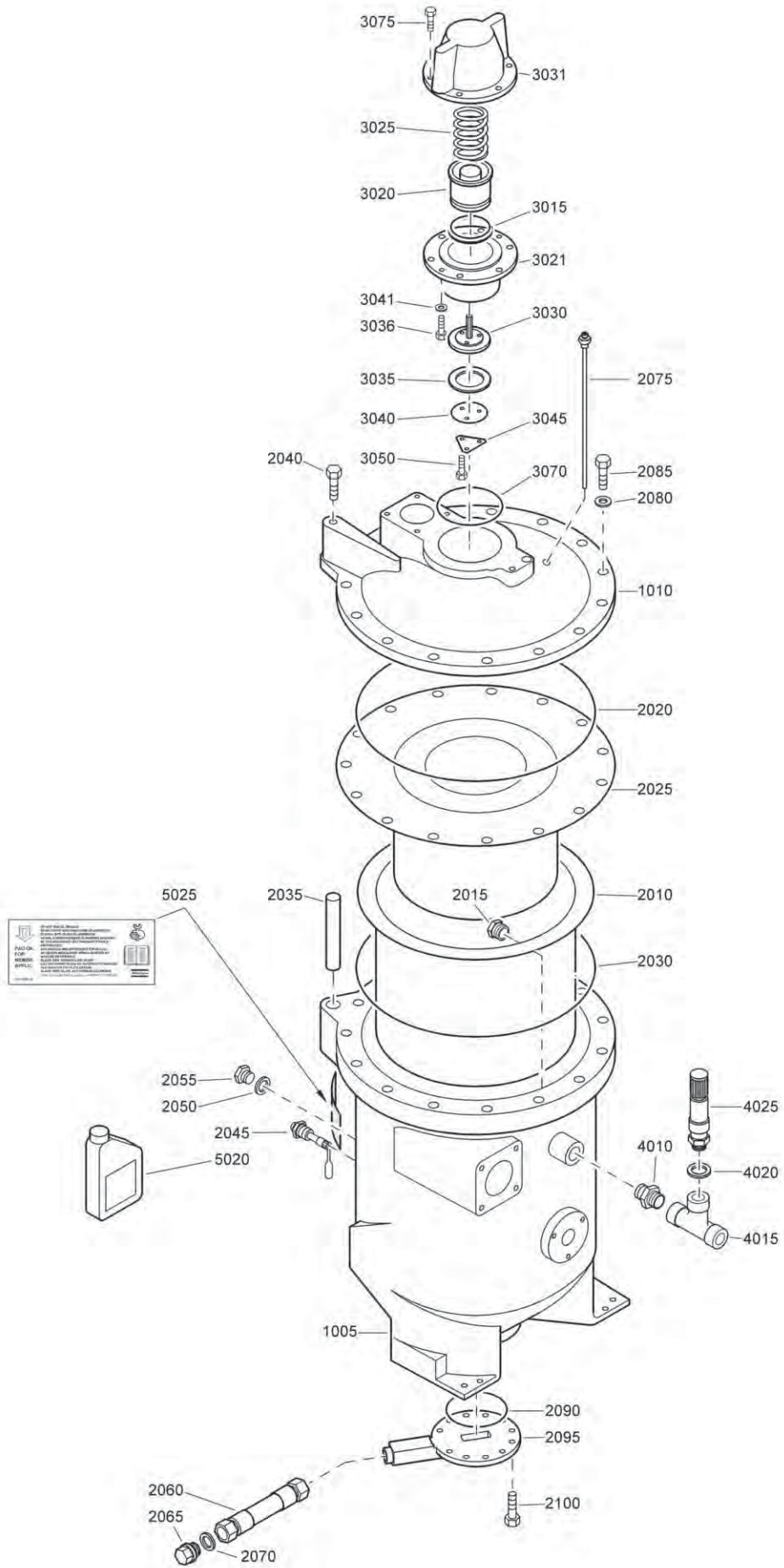
5



Air inlet - Standard option - Heavy duty filter

Ref.	Part number	Qty	Name	Remarks	Ref.	Part number	Qty	Name	Remarks
1010	1614 9368 00	1	Clamp		3030	0686 3716 01	2	Plug	
1015	1614 9187 00	1	Support		3035	0663 2106 20	1	O-ring	
1020	0147 1327 03	2	Bolt		3040	0147 1417 03	4	Bolt	
1024	0301 2335 00	2	Washer		4010	0663 2106 15	1	O-ring	
1025	0333 3227 00	2	Lock washer		4015	0663 2108 12	1	O-ring	
1030	0266 2110 00	2	Nut		4020	0147 1379 03	4	Bolt	
1035	0147 1322 03	4	Bolt			1614 9185 80	1	Oil stop valve	
1040	0333 3227 00	4	Lock washer		5010	1614 9185 00	• 1	Valve housing	
1045	0266 2110 00	4	Nut		5015	0661 1000 25	• 1	Seal washer	
1050	1614 9091 00	1	Hose assy		5020	0686 3716 01	• 1	Plug	
1055	0347 6121 00	2	Hose clip		5025	2254 9868 00	• 1	Compr.spring	
	1614 9367 00	1	Air filter		5030	2252 6269 00	• 1	Spring guide	
2010		• 1	Filter housing		5035	0335 2145 00	• 1	Int.circlip	
2015	2914 5017 00	• 1	Filter element		5040	2255 2751 00	• 1	Valve	
3010	1614 6425 00	1	Housing		5045	2255 2813 00	• 1	Piston	
3015	2254 8075 00	1	Compr.spring		5050	0663 2106 12	• 1	O-ring	
3020	2254 5324 00	1	Check valve		5055	1614 9120 00	• 1	Cover	
3025	0661 1000 25	2	Seal washer		5060	0147 1325 03	• 4	Bolt	

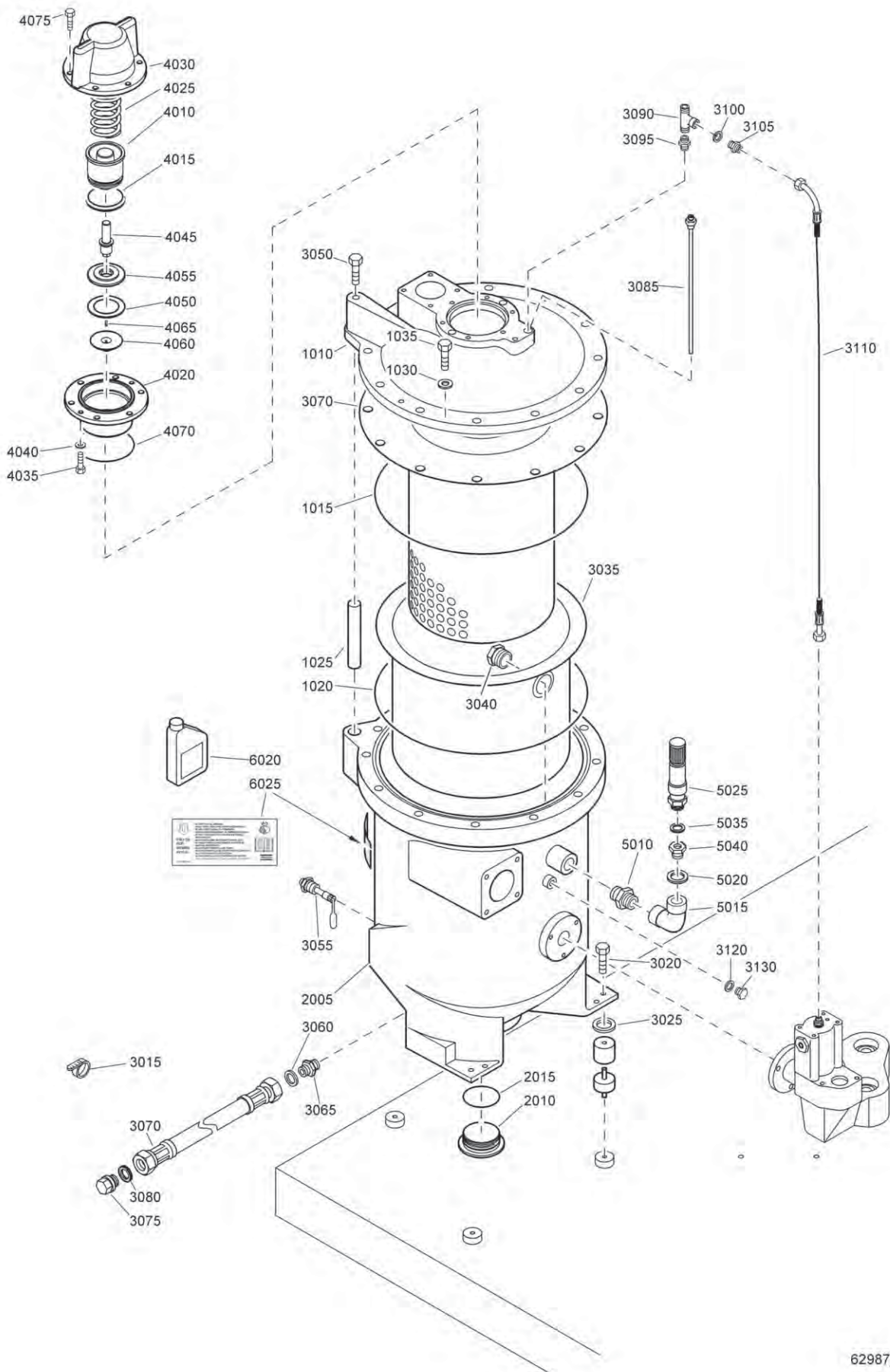
6



Air receiver - GA 90-110-132-160 - 3)

Ref.	Part number	Qty	Name	Remarks	Ref.	Part number	Qty	Name	Remarks
		1	Vessel assembly		2080			Washer	
	1614 9001 82		GA90 (W)-110 (W)	As		0301 2394 00	15	GA90 (W)-110 (W)	
	1614 9001 80		GA90 (W)-110 (W)	CE		0301 2394 00	16	GA132 (W)-160 (W)	
	1614 9001 28		GA90 (W)-110 (W)		2085			Bolt	
			CHINA			0147 1962 38	15	GA90 (W)-110 (W)	
	1614 9480 80		GA90 (W)-110 (W)	CE		0147 1962 38	16	GA132 (W)-160 (W)	
			(Italy)		2090	0663 2106 20	1	O-ring	
	1614 9001 85		GA90 (W)-110 (W)	D,	2095	1614 9003 00	1	Cover	
			SINGAPORE		2100	0147 1962 29	11	Bolt	
	1614 9100 82		GA132 (W)-160 (W)	As		1614 6476 80	1	Minimum pressure valve	
	1614 9100 80		GA132 (W)-160 (W)	CE	3015	0665 0700 89	• 1	Back-up ring	
	1614 9100 28		GA132 (W)-160 (W)		3020	1614 6479 00	• 1	Piston	
			CHINA		3021	1614 6477 00	• 1	Sleeve	
	1614 9483 80		GA132 (W)-160 (W)	CE	3025	2253 1860 00	• 1	Spring	
			(Italy)		3030	1614 7294 00	• 1	Valve	
	1614 9101 85		GA132 (W)-160 (W)	D,	3031	1614 6478 00	• 1	Cover	
			SINGAPORE		3035	1614 6957 00	• 1	Washer	
1005		• 1	Vessel		3036	0147 1958 97	• 2	Bolt	
	1614 9001 02		GA90 (W)-110 (W)	As	3040	2254 9214 00	• 1	Washer	
	1614 9001 08		GA90 (W)-110 (W)	CE	3041	0301 2335 00	• 2	Washer	
	1614 9001 18		GA90 (W)-110 (W)		3045	2254 9215 00	• 1	Lockplate	
			CHINA		3050	0147 1322 03	• 3	Bolt	
	1614 9480 08		GA90 (W)-110 (W)	CE	3070	0663 2106 58	• 1	O-ring	
			(Italy)		3075	0147 1365 03	• 6	Bolt	
	1614 9001 05		GA90 (W)-110 (W)	D,	4010		1	Hexagon nipple	
			SINGAPORE			0603 4106 03		GA90 (W)-110 (W)	
	1614 9100 02		GA132 (W)-160 (W)	As		0603 4107 03		GA132 (W)-160 (W)	
	1614 9100 08		GA132 (W)-160 (W)	CE	4015		1	Tee	
	1614 9100 18		GA132 (W)-160 (W)			0564 0000 69		GA90 (W)-110 (W)	
			CHINA					(11bar)	
	1614 9483 08		GA90 (W)-110 (W)	CE		0564 0000 82		GA132 (W)-160 (W)	
			(Italy)					(11bar)	
	1614 9100 05		GA132 (W)-160 (W)	D,		0564 0000 80		GA90 (W)-110 (W)	
			SINGAPORE					(15bar)	
1010		• 1	Valve housing			0564 0000 81		GA132 (W)-160 (W)	
	1614 9002 02		GA90 (W)-110 (W)	As				(15bar)	
	1614 9002 08		GA90 (W)-110 (W)	CE	4020		1	Flat gasket	
	1614 9002 18		GA90 (W)-110 (W)			0653 1189 00		GA90 (W)-110 (W)	
			CHINA					(As,T)-(11bar)	
	1614 9002 05		GA90 (W)-110 (W)	D,		0653 1189 00		GA132 (W)-160 (W)	
			SINGAPORE					(15bar)	
	1614 9101 02		GA132 (W)-160 (W)	As		0653 1227 00		GA132 (W)-160 (W)	
	1614 9101 08		GA132 (W)-160 (W)	CE				(As,T)-(11bar)	
	1614 9101 18		GA132 (W)-160 (W)			0653 1165 00		GA90 (W)-110 (W)	
			CHINA					(15bar)	
	1614 9101 05		GA132 (W)-160 (W)	D,	4025		1	Safety valve	
			SINGAPORE			0830 1008 12		GA90 (W)-110 (W)	As,T
2010		1	Shield					-11bar	
	1614 9223 00		GA90 (W)-110 (W)			0830 1008 13		GA132 (W)-160 (W)	As,T
	1614 9428 00		GA132 (W)-160 (W)					-11bar	
	1614 9477 00		GA132 (W)-160 (W)	Italy		0830 1008 28		GA90 (W)-110 (W)	15bar
2015		1	Bushing			0830 1008 18		GA132 (W)-160 (W)	15bar
	1614 9090 00		GA90 (W)-110 (W)		5020		1	Oil can	
	1614 9094 00		GA132 (W)-160 (W)			1613 6532 01		COMPTELLA S 46	
2020	0663 2109 45	1	O-ring			1613 9546 00		HD-ROTOFLUID PLUS	
2025		1	Oil sep.element		5025		1	Label	
	1614 9054 00	1	GA90 (W)-110 (W)			1079 9909 57		ROTO INJECT FLUID	
	1614 9056 00	1	GA132 (W)-160 (W)			1079 9920 76		HD ROTO FLUID Plus	
2030	0663 2109 45	1	O-ring						
2035		1	Pivot pin		3)	Up to serial No. :			
	1614 9089 00		GA90 (W)-160 (W)			Tot serienummer:			
	1614 6432 00		GA90 (W)-160 (W)	Italy		T.o.m. tillverkningsnummer:			
2040	0147 1479 03	1	Bolt			Bis Seriennummer:			
2045	1614 9184 00	1	Level gauge			Jusqu'au numéro de série:			
2050	0661 1000 31	1	Seal washer			Hasta el número de serie:			
2055	2250 2528 00	1	Plug screw			Fino al numeri di serie:			
2060	1621 9144 00	1	Hose assembly			Gælder til følgende serienumre:			
2065	1614 9146 00	1	Plug			Até o número de série:			
2070		1	Flat gasket			Til følgende serienummer:			
	0653 1100 00		GA90 (W)-110 (W)			Seuraavaan valmistusnumeroon asti, No.:			
	0653 1124 00		GA132 (W)-160 (W)			3) GA 90-110 : AIF-084 861, GA 132-160 : AIF-084 239			
2075		1	Scavenge line						
	1614 9142 00		GA90 (W)-110 (W)						
	1614 9141 00		GA132 (W)-160 (W)						

7

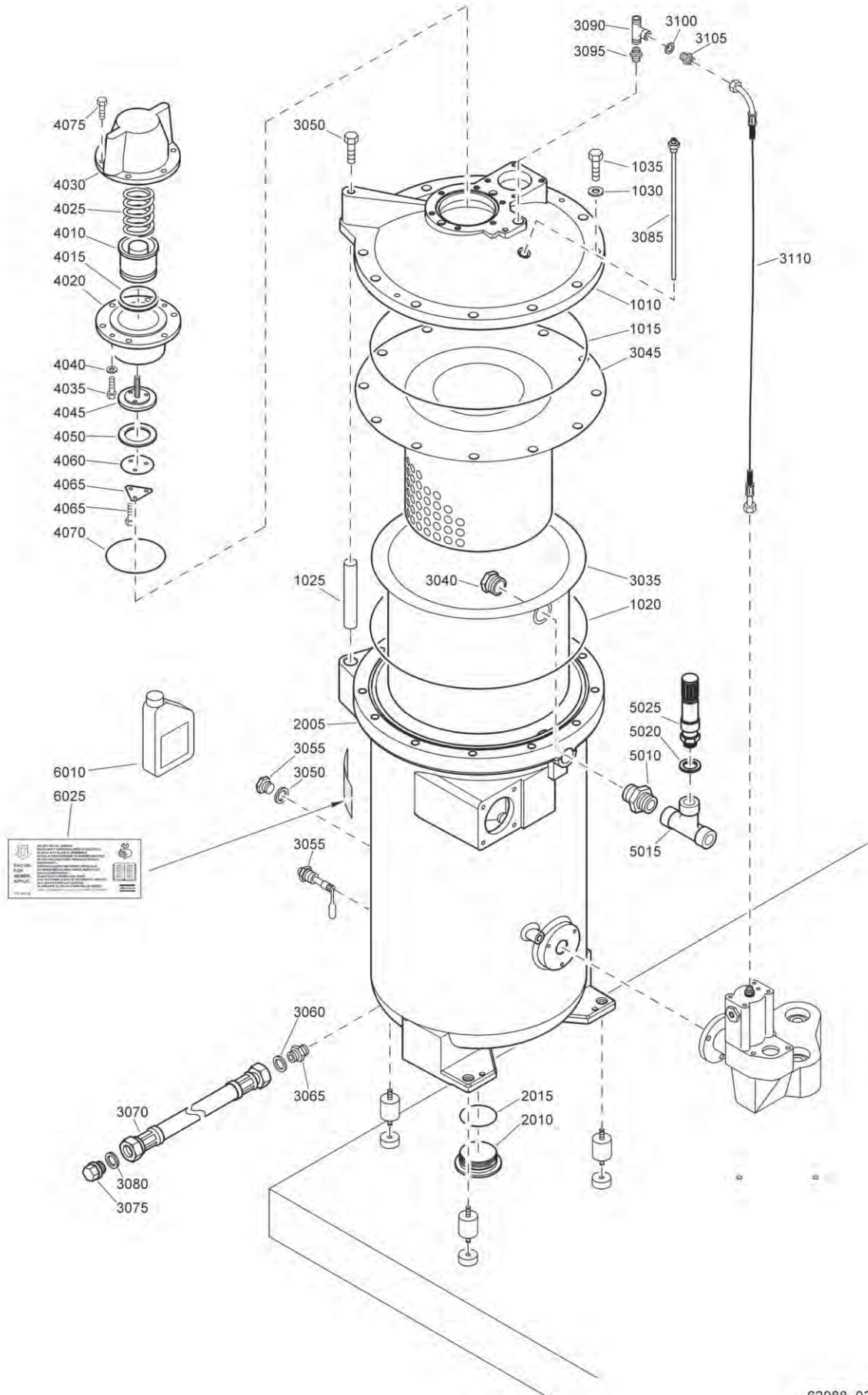


62987_03

Air receiver - GA90-110 - 4)

Ref.	Part number	Qty	Name	Remarks	Ref.	Part number	Qty	Name	Remarks
	1621 9359 80	1	Air receiver		4020	1614 6477 00	• 1	Sleeve	
	1621 9359 85		CE		4025	2253 1860 00	• 1	Spring	
			ASME, DIR, SINGAPORE,		4030	1614 6478 00	• 1	Cover	
			CHINA		4035	0147 1958 97	• 2	Bolt	
1010		• 1	Valve housing		4040	0301 2335 00	• 2	Washer	
	1621 9363 08		CE		4045	1621 4324 00	• 1	Shaft	
	1621 9363 05		ASME, DIR, SINGAPORE,		4050	1614 6957 00	• 1	Washer	
			CHINA		4055	1621 4975 00	• 1	Ring	
1015	0663 2109 45	• 1	O-ring		4060	1621 4976 00	• 1	Nut	
1020	0663 2109 45	• 1	O-ring		4065	9125 7289 00	• 1	Set screw	
1025	1614 9089 00	• 1	Pivot pin		4070	0663 2106 58	• 1	O-ring	
1030	0301 2394 00	• 12	Washer		4075	0147 1365 03	• 6	Bolt	
1035	0147 1962 38	• 12	Bolt		5010	0603 4106 03	1	Hexagon nipple	
2005		• 1	Vessel		5015	0560 0200 73	1	Elbow	
	1621 9359 08		CE		5020		1	Flat gasket	
	1621 9359 05		ASME, DIR, SINGAPORE,			0653 1189 00		11 bar(e)	
			CHINA			0653 1165 00		15 bar(e)	
2010	1621 9231 00	••	Plug		5025		1	Safety valve	
2015	0663 2111 17	••	O-ring			0830 1008 12		11 bar(e)	
3015	0348 0101 12	3	Cable tie			0830 1008 28		15 bar(e)	
3020	0147 1377 03	3	Bolt		5035		1	Flat gasket	
3025	0661 1000 31	3	Seal washer			0653 1189 00		15 bar(e)	
3035	1614 9223 00	1	Shield		5040		1	Bushing	
3040	1614 9090 00	1	Bushing			0605 8700 27		15 bar(e)	
3045	1621 9384 00	1	Oil sep.element		6020		2	Oil can	
3050	0147 1479 03	1	Bolt			1613 6532 01		Roto Inject Fluid	
3055	1614 9184 00	1	Level gauge			1613 9546 00		HD-Rotofluid Plus	
3060	0661 1038 00	1	Sealing washer		6025		1	Label	
3065	1619 6249 00	1	Nipple			1079 9909 57		Roto Inject Fluid	
3070	1621 9144 00	1	Hose assembly			1079 9920 76		HD-Rotofluid Plus	
3075	1614 9146 00	1	Plug						
3080	0653 1100 00	1	Flat gasket		4)			From following serial No. onwards:	
3085	1614 9142 00	1	Scavenge line					Geldig vanaf volgend serienummer:	
3090	0564 0000 34	1	Tee					Fr.o.m. tillverkningsnummer:	
3095	0603 4105 03	1	Hexagon nipple					Gültig ab Seriennummer:	
3100	0661 1000 29	1	Seal washer					Valable à partir du numéro de série suivant:	
3105	0571 0035 05	1	Nipple					A partir del siguiente número de serie:	
3110	0574 8231 26	1	Hose assembly					Dai seguenti numeri di serie in avanti:	
3120	0686 3716 30	1	Plug					Gælder fra følgende serienumre:	
3130	0661 1000 26	1	Seal washer					A partir do número de série:	
	1614 6478 80	1	Min. press. valve					Fra og med følgende serienummer:	
4010	1621 4977 00	• 1	Piston					Alkaen valmistusnumerosta	
4015	0665 0700 89	• 1	Back-up ring					4) AIF-084 862	

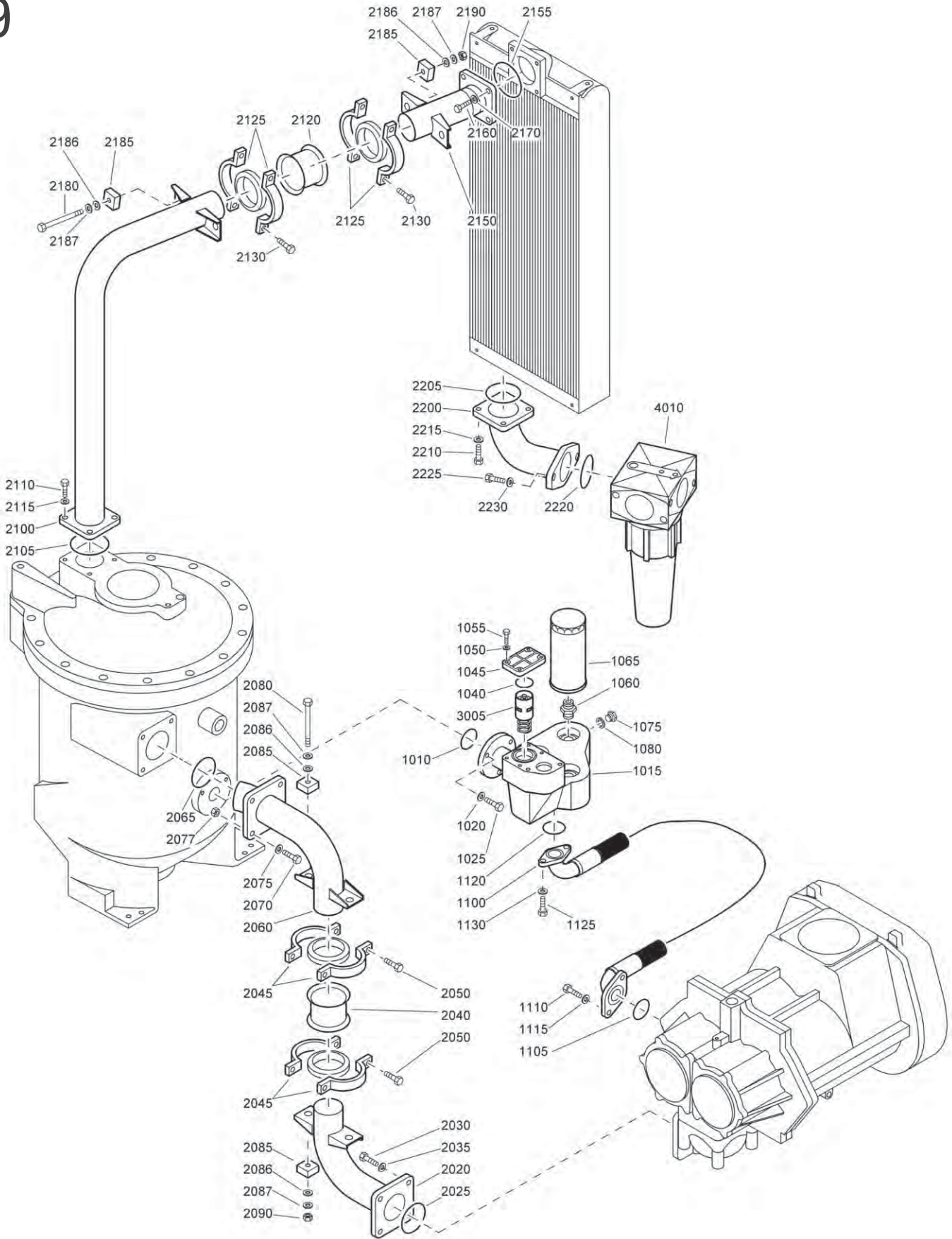
8



Air receiver - GA132-160 - 4)

Ref.	Part number	Qty	Name	Remarks	Ref.	Part number	Qty	Name	Remarks
	1621 9360 80	1	Air receiver		4030	1614 6478 00	• 1	Cover	
	1621 9360 85		CE		4035	0147 1958 97	• 2	Bolt	
			ASME, DIR, SINGAPORE,		4040	0301 2335 00	• 2	Washer	
			CHINA		4045	1614 7294 00	• 1	Valve	
1010		• 1	Valve housing		4050	1614 6957 00	• 1	Washer	
	1621 9364 08		CE		4055	2254 9214 00	• 1	Washer	
	1621 9364 05		ASME, DIR, SINGAPORE,		4060	2254 9215 00	• 1	Lockplate	
			CHINA		4065	0147 1322 03	• 3	Bolt	
1015	0663 2109 45	• 1	O-ring		4070	0663 2106 58	• 1	O-ring	
1020	0663 2109 45	• 1	O-ring		4075	0147 1365 03	• 6	Bolt	
1025	1614 9089 00	• 1	Pivot pin		5010	0603 4107 03	1	Hexagon nipple	
1030	0301 2394 00	• 12	Washer		5015		1	Tee	
1035	0147 1962 38	• 12	Bolt			0564 0000 82		11 bar(e)	
2005		• 1	Vessel			0564 0000 81		15 bar(e)	
	1621 9360 08		CE		5020		1	Flat gasket	
	1621 9360 05		ASME, DIR, SINGAPORE,			0653 1227 00		11 bar(e)	
			CHINA			0653 1189 00		15 bar(e)	
2010	1621 9231 00	••	Plug		5025		1	Safety valve	
2015	0663 2111 17	••	O-ring			0830 1008 13		11 bar(e)	
3035	1614 9428 00	1	Shield			0830 1008 18		15 bar(e)	
3040	1614 9094 00	1	Bushing		6010		1	Oil can	
3045	1621 9385 00	1	Oil sep.element			1613 6532 01		Roto Inject Fluid	
3050	0147 1479 03	1	Bolt			1613 9546 00		HD-Rotofluid Plus	
3055	1614 9184 00	1	Level gauge		6025		1	Label	
3060	0661 1038 00	1	Sealing washer			1079 9909 57		Roto Inject Fluid	
3065	1619 6249 00	1	Nipple			1079 9920 76		HD-Rotofluid Plus	
3070	1621 9144 00	1	Hose assembly		4)			From following serial No. onwards:	
3075	1614 9146 00	1	Plug					Geldig vanaf volgend serienummer:	
3080	0653 1124 00	1	Flat gasket					Fr.o.m. tillverkningsnummer:	
3085	1614 9141 00	1	Scavenge line					Gültig ab Seriennummer:	
3090	0564 0000 34	1	Tee					Valable à partir du numéro de série suivant:	
3095	0603 4105 03	1	Hexagon nipple					A partir del siguiente número de serie:	
3100	0661 1000 29	1	Seal washer					Dai seguenti numeri di serie in avanti:	
3105	0571 0035 05	1	Nipple					Gælder fra følgende serienumre:	
3110	0574 8231 35	1	Hose assembly					A partir do número de série:	
	1614 6476 80	1	Min.press.valve					Fra og med følgende serienummer:	
4010	1614 6479 00	• 1	Piston					Alkaen valmistusnumerosta	
4015	0665 0700 89	• 1	Back-up ring					4) AIF-084 240	
4020	1614 6477 00	• 1	Sleeve						
4025	2253 1860 00	• 1	Spring						

9

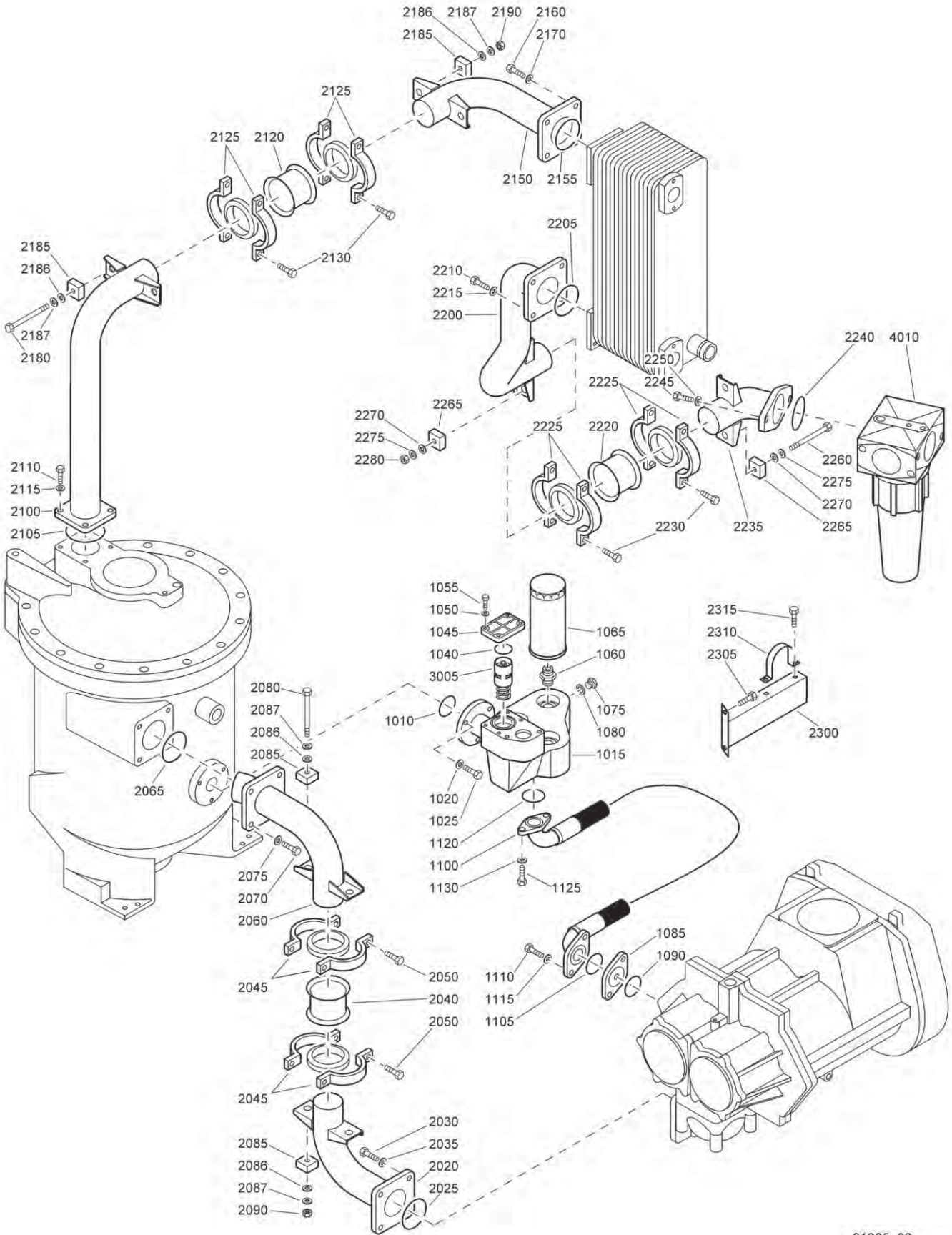


61204_02

Air and oil system - GA

Ref.	Part number	Qty	Name	Remarks	Ref.	Part number	Qty	Name	Remarks
1010	0663 2107 77	1	O-ring		2100		1	Pipe	
1015	1614 9006 00	1	Oil filterhousing			1614 9171 00		GA90, GA110	
1020	0301 2344 00	3	Washer			1614 9488 00		GA132, GA160	
1025	0147 1363 03	3	Bolt		2105	0663 2106 17	1	O-ring	
1040	0663 2107 77	1	O-ring		2110	0147 1364 03	4	Bolt	
1045	1614 9007 00	1	Cover		2115	0301 2344 00	4	Washer	
1050	0301 2335 00	4	Washer		2120		1	Pipe	
1055	0147 1325 03	4	Bolt			1614 9117 00		GA90, GA110	
1060	1619 3770 00	3	Nipple			1614 9066 00		GA132, GA160	
1065	1613 6105 00	3	Oil filter		2125	1614 9114 00	2	Joint set	
1075	0686 3716 01	1	Plug			1614 9063 00		GA90, GA110	
1080	0661 1000 25	1	Seal washer					GA132, GA160	
1100		1	Hose assembly				1	Joint	
	1614 9050 00		GA90, GA110			1614 9115 00		GA90, GA110	
	1614 9081 00		GA132, GA160			1614 9064 00		GA132, GA160	
1105	0663 2106 11	1	O-ring		2130	0147 1369 03	4	Bolt	
1110	0147 1401 03	2	Bolt		2150		1	Pipe	
1115	0301 2358 00	2	Washer			1614 9169 00		GA90, GA110	
1120	0663 2109 68	1	O-ring			1614 9217 00		GA132, GA160	
1125	0147 1363 03	2	Bolt		2155	0663 2106 17	1	O-ring	
1130	0301 2344 00	2	Washer		2160	0147 1364 03	4	Bolt	
2020		1	Pipe		2170	0301 2344 00	4	Washer	
	1614 9040 00		GA90, GA110		2180		2	Bolt	
	1614 9069 00		GA132, GA160			0147 1499 03		GA90, GA110	
2025	0663 2106 18	1	O-ring			0147 1501 03		GA132, GA160	
2030	0147 1403 03	4	Bolt		2185	1614 8926 00	4	Absorber	
2035	0301 2358 00	4	Washer		2186	0300 0276 03	4	Washer	
2040		1	Pipe		2187	0301 2344 00	4	Washer	
	1614 9117 00		GA90, GA110		2190	0291 1114 00	2	Locknut	
	1614 9066 00		GA132, GA160		2200		1	Pipe	
2045		2	Joint set			1614 9459 00		GA90, GA110	
	1614 9114 00		GA90, GA110			1614 9448 00		GA132, GA160	
	1614 9063 00		GA132, GA160		2205	0663 2106 15	1	O-ring	
		1	Joint		2210	0147 1364 03	4	Bolt	
	1614 9115 00		GA90, GA110		2215	0301 2344 00	4	Washer	
	1614 9064 00		GA132, GA160		2220		1	O-ring	
2050	0147 1369 03	4	Bolt			0663 2107 94		GA90, GA110	
2060		1	Pipe			0663 2109 69		GA132, GA160	
	1614 9263 00		GA90, GA110		2225			Bolt	
	1614 9264 00		GA132, GA160			0147 1476 03	2	GA90, GA110	
	1614 9478 00		GA90, GA110 Italy			0147 1401 03	4	GA132, GA160	
	1614 9479 00		GA132, GA160Italy		2230			Washer	
2065	0663 2106 18	1	O-ring			0301 2378 00	2	GA90, GA110	
2070	0147 1403 03	4	Bolt			0301 2358 00	4	GA132, GA160	
2075	0301 2358 00	4	Washer		3005		1	Thermost.valve	
2077	0266 2112 00	4	Nut	GA90-160		1202 5869 03		13bar(e), 200psi	
			Italy			1619 7560 00		7.5bar(e), 8.5bar(e), 10bar(e)	
2080		2	Bolt					100psi, 125psi, 150psi	
	0147 1499 03		GA90, GA110		4010		1	Waterseparator	
	0147 1501 03		GA132, GA160			1614 9373 00		GA90, GA110	
	0147 1501 03		GA90, GA110 Italy					Electronic Condensate Drain	
	0147 1501 03		GA132, GA160Italy			1614 9374 00		GA132, GA160	
2085	1614 8926 00	4	Absorber					Electronic Condensate Drain	
2086	0300 0276 03	4	Washer			1619 7474 01		GA90, GA110	
2087	0301 2344 00	4	Washer			0663 6136 00	1	O-ring	
2090	0291 1114 00	2	Locknut			0663 6147 00	1	O-ring	
						1613 6728 00		GA132, GA160	

10

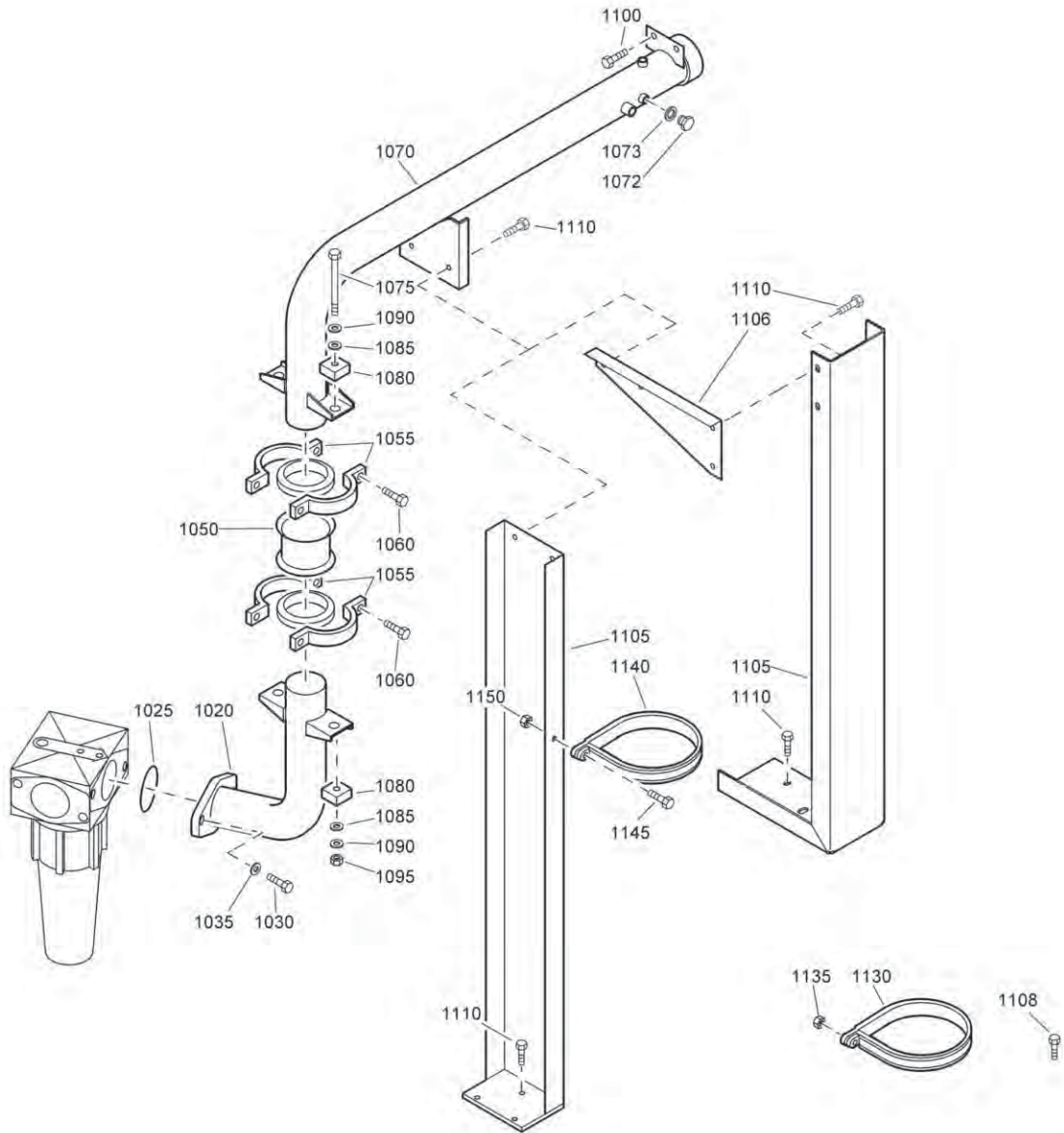


61205_02

Air and oil system - GA W

Ref.	Part number	Qty	Name	Remarks	Ref.	Part number	Qty	Name	Remarks
1010	0663 2107 77	1	O-ring	GA90 W, GA110 W	2130	0147 1369 03	4	Bolt	
	0663 2106 11		GA132 W, GA160 W		2150		1	Pipe	
1015	1614 9006 00	1	Oil filterhousing			1614 9267 00		GA90 W, GA110 W	
1020	0301 2344 00	3	Washer			1614 9290 00		GA132 W, GA160 W	
1025	0147 1363 03	3	Bolt		2155	0663 2106 17	1	O-ring	
1040		1	O-ring		2160	0147 1363 03	4	Bolt	
	0663 2107 77		GA90 W, GA110 W		2170	0301 2344 00	4	Washer	
	0663 2106 11		GA132 W, GA160 W		2180		2	Bolt	
1045	1614 9007 00	1	Cover			0147 1499 03		GA90 W, GA110 W	
1050	0301 2335 00	4	Washer			0147 1501 03		GA132 W, GA160 W	
1055	0147 1325 03	4	Bolt		2185	1614 8926 00	4	Absorber	
1060	1619 3770 00	3	Nipple		2186	0300 0276 03	4	Washer	
1065	1613 6105 00	3	Oil filter		2187	0301 2344 00	4	Washer	
1075	0686 3716 01	1	Plug		2190	0291 1114 00	2	Locknut	
1080	0661 1000 25	1	Seal washer		2200		1	Pipe	
1085	1614 6497 01	1	Flange			1614 9630 00		GA90 W, GA110 W	
1090	0663 2106 11	1	O-ring			1614 9631 00		GA132 W, GA160 W	
1100		1	Hose assembly		2205	0663 2106 17	1	O-ring	
	1614 9050 00		GA90 W, GA110 W		2210	0147 1363 03	4	Bolt	
	1614 9081 00		GA132 W, GA160 W		2215	0301 2344 00	4	Washer	
1105	0663 2106 11	1	O-ring		2220		1	Pipe	
1110	0147 1403 03	2	Bolt			1614 9117 00		GA90 W, GA110 W	
1115	0301 2358 00	2	Washer			1614 9066 00		GA132 W, GA160 W	
1120	0663 2109 68	1	O-ring		2225		2	Joint set	
1125	0147 1363 03	2	Bolt			1614 9114 00		GA90 W, GA110 W	
1130	0301 2344 00	2	Washer			1614 9063 00		GA132 W, GA160 W	
2020		1	Pipe				1	Joint	
	1614 9040 00		GA90 W, GA110 W			1614 9115 00		GA90 W, GA110 W	
	1614 9069 00		GA132 W, GA160 W			1614 9064 00		GA132 W, GA160 W	
2025	0663 2106 18	1	O-ring		2230	0147 1369 03	4	Bolt	
2030	0147 1403 03	4	Bolt		2235		1	Pipe	
2035	0301 2358 00	4	Washer			1614 9576 00		GA90 W, GA110 W	
2040		1	Pipe			1614 9632 00		GA132 W, GA160 W	
	1614 9117 00		GA90 W, GA110 W		2240		1	O-ring	
	1614 9066 00		GA132 W, GA160 W			0663 2107 94		GA90 W, GA110 W	
2045	1614 9114 00	2	Joint set			0663 2109 69		GA132 W, GA160 W	
	1614 9063 00		GA90 W, GA110 W		2245		2	Bolt	
		1	Joint			0147 1476 03	2	GA90 W, GA110 W	
	1614 9115 00		GA90 W, GA110 W			0147 1402 03	4	GA132 W, GA160 W	
	1614 9064 00		GA132 W, GA160 W		2250		2	Washer	
2050	0147 1369 03	4	Bolt			0301 2378 00	2	GA90 W, GA110 W	
2060		1	Pipe			0301 2358 00	4	GA132 W, GA160 W	
	1614 9263 00		GA90 W, GA110 W		2260		2	Bolt	
	1614 9264 00		GA132 W, GA160 W			0147 1499 03		GA90 W, GA110 W	
2065	0663 2106 18	1	O-ring			0147 1501 03		GA132 W, GA160 W	
2070	0147 1403 03	4	Bolt		2265	1614 8926 00	4	Absorber	
2075	0301 2358 00	4	Washer		2270	0300 0276 03	4	Washer	
2080		2	Bolt		2275	0301 2344 00	4	Washer	
	0147 1499 03		GA90 W, GA110 W		2280	0291 1114 00	2	Locknut	
	0147 1501 03		GA132 W, GA160 W		2300		1	Support	
2085	1614 8926 00	4	Absorber			1614 9577 00		GA90 W, GA110 W	
2086	0300 0276 03	4	Washer			1614 9583 00		GA132 W, GA160 W	
2087	0301 2344 00	4	Washer		2305		4	Bolt	
2090	0291 1114 00	2	Locknut			1619 2766 00	4	GA90 W, GA110 W	
2100		1	Pipe			1619 2766 00	2	GA132 W, GA160 W	
	1614 9266 00		GA90 W, GA110 W		2310		1	Support	
	1614 9289 00		GA132 W, GA160 W			1614 9625 00		GA90 W, GA110 W	
2105	0663 2106 17	1	O-ring			1614 9299 00		GA132 W, GA160 W	
2110	0147 1363 03	4	Bolt		2315	1619 2766 00	2	Bolt	
2115	0301 2344 00	4	Washer		3005		1	Thermost.valve	
2120		1	Pipe			1202 5869 03		13bar(e), 200psi	
	1614 9117 00		GA90 W, GA110 W			1619 7560 00		7.5bar(e), 8.5bar(e), 10bar(e)	
	1614 9066 00		GA132 W, GA160 W		4010		1	100psi, 125psi, 150psi	
2125	1614 9114 00	2	Joint set			1614 9373 00		Waterseparator	
	1614 9063 00		GA90 W, GA110 W					GA90 W, GA110 W	
		1	Joint			1614 9374 00		Electronic Condensate Drain	
	1614 9115 00		GA90 W, GA110 W					GA132 W, GA160 W	
	1614 9064 00		GA132 W, GA160 W			1619 7474 01		Electronic Condensate Drain	
						0663 6136 00	1	GA90 W, GA110 W	
						0663 6147 00	1	O-ring	
						1613 6728 00		O-ring	
								GA132 W, GA160 W	

11

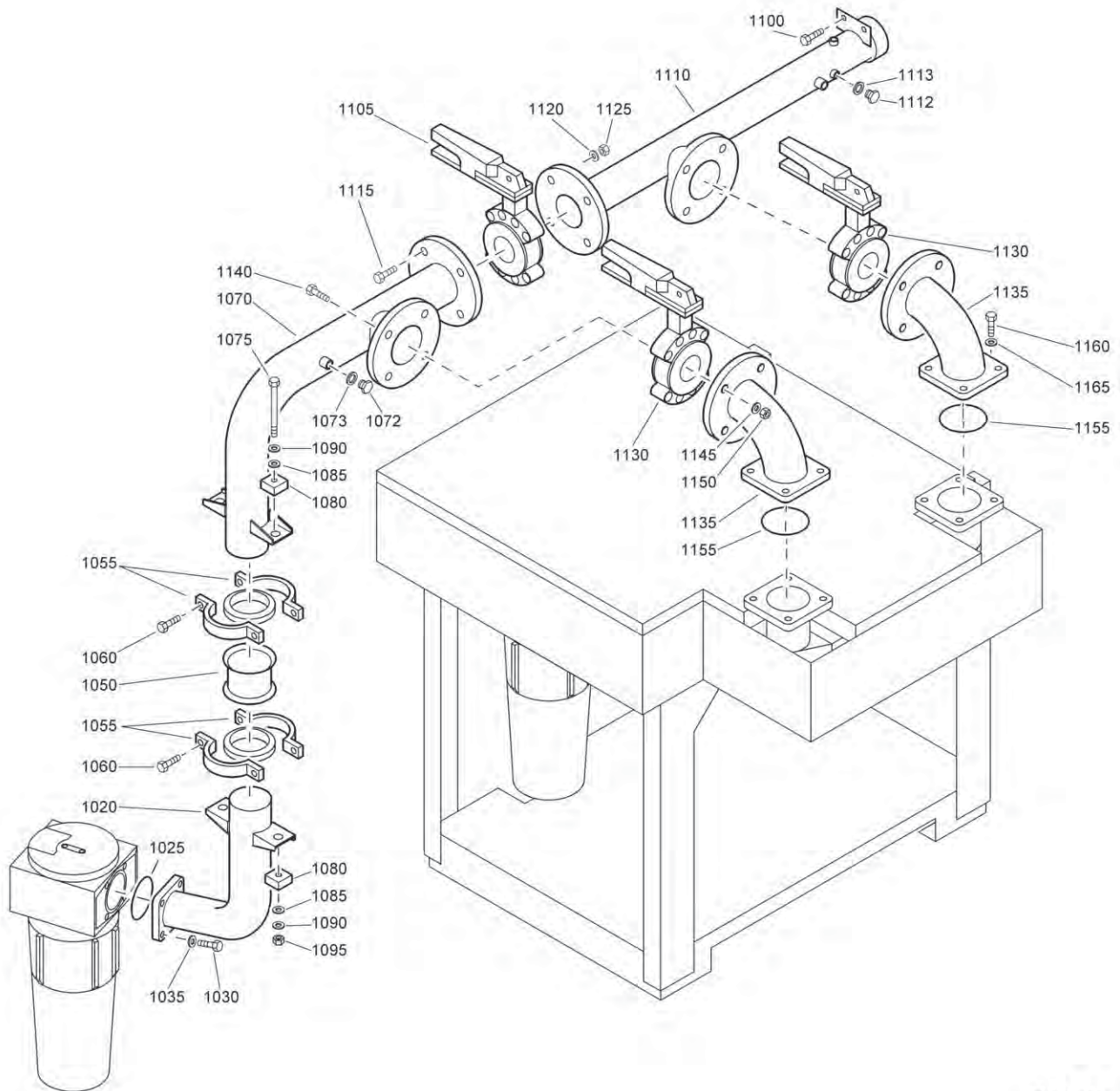


63126_02

Air outlet - Pack

Ref.	Part number	Qty	Name	Remarks	Ref.	Part number	Qty	Name	Remarks
1020	1614 9461 00	1	Pipe		1075	0147 1499 03	2	Bolt	
	1614 9450 00		GA90(W), GA110(W)			0147 1501 03		GA90(W), GA110(W)	
			GA132(W)-Low voltage,		1080	1614 8926 00	4	Absorber	
	1614 9924 00		GA160(W)-Low voltage		1085	0300 0276 03	4	Washer	
			GA132(W)-Medium voltage,		1090	0301 2344 00	4	Washer	
			GA160(W)-Medium voltage		1095	0291 1114 00	2	Locknut	
1025	0663 2107 94	1	O-ring		1100	1619 2766 00	2	Bolt	
	0663 2109 69		GA90(W), GA110(W)		1105		1	Support	
1030			GA132(W), GA160(W)			1614 9713 00		GA90(W), GA110(W),	
	0147 1476 03	2	Bolt/Cap screw					GA132(W)-Low voltage,	
	0211 1401 03	4	GA90(W), GA110(W)					GA160(W)-Low voltage	
1035			GA132(W), GA160(W)			1614 9870 00		GA132(W)-Medium voltage,	
	0301 2378 00	2	Washer					GA160(W)-Medium voltage	
	0301 2358 00	4	GA90(W), GA110(W)		1106		1	Support	
1050		1	GA132(W), GA160(W)			1614 9869 00		GA132(W)-Medium voltage,	
	1614 9117 00		Pipe					GA160(W)-Medium voltage	
	1614 9066 00		GA90(W), GA110(W)		1108		1	Bolt	
1055		2	GA132(W), GA160(W)			0147 1400 03		GA132(W)-Medium voltage,	
	1614 9114 00		Joint set					GA160(W)-Medium voltage	
	1614 9063 00		GA90(W), GA110(W)		1110		5	Bolt	
		1	GA132(W), GA160(W)			1619 5337 01		GA90(W), GA110(W),	
	1614 9115 00		Joint					GA132(W)-Low voltage,	
	1614 9064 00		GA90(W), GA110(W)					GA160(W)-Low voltage	
1060	0147 1369 03	4	GA132(W), GA160(W)			1619 5337 01	6	GA132(W)-Medium voltage,	
1070		1	Bolt					GA160(W)-Medium voltage	
	1614 9719 00		Pipe		1130	0346 1000 27	1	Pipe clamp	
			GA90(W)-ISO,		1135	0266 2110 00	1	Nut	
	1614 9720 00		GA110(W)-ISO		1140		1	Pipe clamp	
			GA90(W)-NPT,			0346 1000 27		GA132(W)-Low voltage,	
	1614 9721 00		GA110(W)-NPT					GA160(W)-Low voltage	
			GA132(W)-ISO,		1145		1	Bolt	
	1614 9722 00		GA160(W)-ISO			0147 1323 03		GA132(W)-Low voltage,	
			GA132(W)-NPT,					GA160(W)-Low voltage	
			GA160(W)-NPT		1150	0266 2110 00	1	Nut	
1072	0686 3716 01	1	Plug						
1073	0653 1062 00	1	Flat gasket						

12

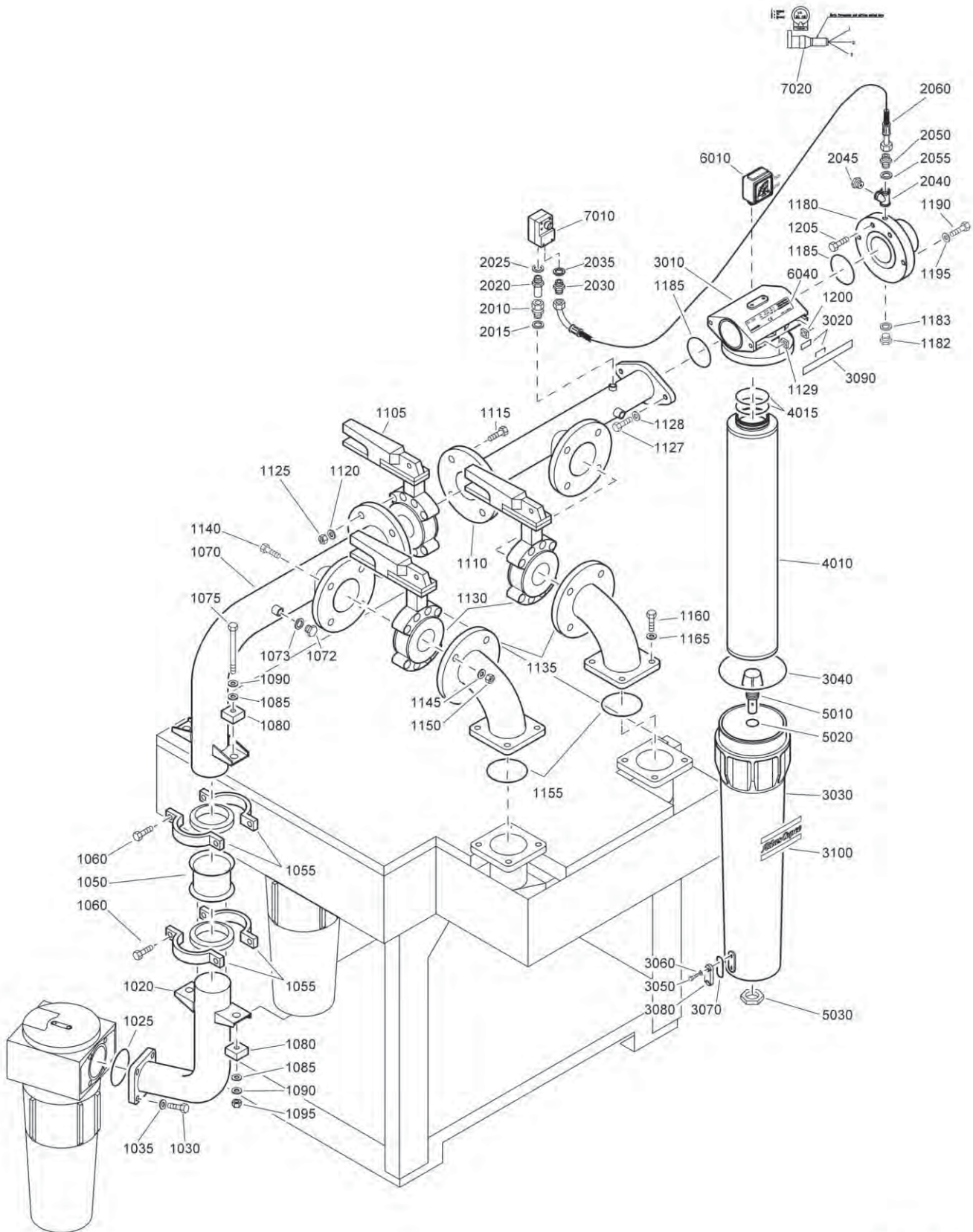


61385_02

Air outlet - Full-feature

Ref.	Part number	Qty	Name	Remarks	Ref.	Part number	Qty	Name	Remarks
1020	1614 9461 00	1	Pipe		1090	0301 2344 00	4	Washer	
	1614 9450 00		GA90(W), GA110(W)		1095	0291 1114 00	2	Locknut	
1025	0663 2107 94	1	GA132(W), GA160(W)		1100	1619 2766 00	2	Bolt	
	0663 2109 69		O-ring		1105		1	Valve	
1030	0147 1476 03	2	GA90(W), GA110(W)			1614 9211 00		GA90(W), GA110(W)	
	0211 1401 03	4	GA132(W), GA160(W)			1614 9212 00		GA132(W), GA160(W)	
1035	0301 2378 00	2	Bolt/Cap screw		1110		1	Pipe	
	0301 2358 00	4	GA90(W), GA110(W)			1614 9227 00		GA90(W)-ISO,	
1050	1614 9117 00	1	GA132(W), GA160(W)			1614 9228 00		GA110(W)-ISO	
	1614 9066 00		Washer			1614 9446 00		GA90(W)-NPT,	
1055	1614 9114 00	2	GA90(W), GA110(W)			1614 9447 00		GA110(W)-NPT	
	1614 9063 00		GA132(W), GA160(W)					GA132(W)-ISO,	
	1614 9115 00	1	Joint set					GA160(W)-ISO,	
	1614 9064 00		GA90(W), GA110(W)		1112	0686 3716 01	1	GA132(W)-NPT,	
1060	0147 1369 03	4	GA132(W), GA160(W)		1113	0653 1062 00	1	GA160(W)-NPT	
1070	1614 9465 00	1	Joint		1115	0147 1489 03	4	Plug	
	1614 9445 00		GA90(W), GA110(W)		1120	0301 2378 00	4	Flat gasket	
1072	0686 3716 01	1	GA132(W), GA160(W)		1125	0266 2114 00	4	Bolt	
1073	0653 1062 00	1	Bolt		1130		2	Washer	
1075	0147 1499 03	2	GA90(W), GA110(W)			1614 9211 00		Nut	
	0147 1501 03		GA132(W), GA160(W)			1614 9212 00		Valve	
1080	1614 8926 00	4	Bolt		1135		2	GA90(W), GA110(W)	
1085	0300 0276 03	4	GA90(W), GA110(W)			1614 9199 00		GA132(W), GA160(W)	
			GA132(W), GA160(W)			1614 9444 00		Pipe	
			Absorber		1140	0147 1489 03	8	GA90(W), GA110(W)	
			Washer		1145	0301 2378 00	8	GA132(W), GA160(W)	
					1150	0266 2114 00	8	GA90(W), GA110(W)	
					1155	0663 2106 18	2	GA132(W), GA160(W)	
					1160	0147 1403 03	8	Plug	
					1165	0301 2358 00	8	Flat gasket	
								Bolt	
								Washer	
								Nut	
								O-ring	
								Bolt	
								Washer	

13



61386_02

Air outlet - Full-feature + DD filter

Ref.	Part number	Qty	Name	Remarks	Ref.	Part number	Qty	Name	Remarks
1020	1614 9461 00	1	Pipe			1614 9245 00		GA132(W)-ISO,	
	1614 9450 00		GA90(W), GA110(W)					GA160(W)-ISO	
1025		1	GA132(W), GA160(W)			1614 9246 00		GA132(W)-NPT,	
	0663 2107 94		O-ring					GA160(W)-NPT	
	0663 2109 69		GA90(W), GA110(W)		1182	0686 3716 01	1	Plug	
1030			GA132(W), GA160(W)		1183	0653 1062 00	1	Flat gasket	
	0147 1476 03	2	Bolt/Cap screw		1185	0663 2106 16	2	O-ring	
	0211 1401 03	4	GA90(W), GA110(W)		1190	0147 1365 03	2	Bolt	
1035			GA132(W), GA160(W)		1195	0333 3232 00	2	Lock washer	
	0301 2378 00	2	Washer		1200	0282 0000 06	2	Square nut	
	0301 2358 00	4	GA90(W), GA110(W)		1205		2	Bolt	
1050		1	GA132(W), GA160(W)			0147 1328 03		GA90(W), GA110(W)	
	1614 9117 00		Pipe			1619 2766 00		GA132(W), GA160(W)	
	1614 9066 00		GA90(W), GA110(W)		2010	0581 0025 01	1	Pipe coupling	
1055	1614 9114 00	2	Joint set		2015	0653 1046 00	1	Flat gasket	
	1614 9063 00		GA90(W), GA110(W)		2020	1615 3624 00	1	Nozzle	
			GA132(W), GA160(W)		2025	0653 1046 00	1	Flat gasket	
	1614 9115 00	1	Joint		2030	1079 5840 01	1	Nipple	
	1614 9064 00		GA90(W), GA110(W)		2035	0653 1046 00	1	Flat gasket	
1060	0147 1369 03	4	GA132(W), GA160(W)		2040	0560 4401 09	1	Tee	
1070		1	Bolt		2045	1621 0148 00	1	Nipple	
	1614 9465 00		Pipe		2050	1619 5205 00	1	Nipple	
	1614 9445 00		GA90(W), GA110(W)		2055	0653 1062 00	1	Flat gasket	
1072	0686 3716 01	1	GA132(W), GA160(W)		2060	0574 8231 16	1	Hose assembly	
1073	0653 1062 00	1	Plug			8102 2603 64	1	Filter DD	1)
1075		2	Flat gasket			8102 2604 06		DD390	GA90-110
	0147 1499 03		Bolt					DD520	GA132-160
	0147 1501 03		GA90(W), GA110(W)				• 1	Head/bowl assy	
1080	1614 8926 00	4	GA132(W), GA160(W)		3010	1617 7008 00	•• 1	Head	
1085	0300 0276 03	4	Absorber		3020	1617 7038 03	•• 2	Dual lock strip	
1090	0301 2344 00	4	Washer		3030		•• 1	Bowl	
1095	0291 1114 00	2	Washer			1617 7016 00		DD390	GA90-110
1105		1	Locknut			1617 7017 00		DD520	GA132-160
	1614 9211 00		Valve		3040	0663 2109 63	•• 1	O-ring	
	1614 9212 00		GA90(W), GA110(W)		3050	0160 0996 06	•• 2	Screw	
1110		1	GA132(W), GA160(W)		3060	0661 1010 00	•• 2	Tredo washer	
	1614 9251 00		Pipe		3070	0663 9095 00	•• 1	O-ring	
	1614 9460 00		GA90(W), GA110(W)		3080	1617 7044 00	•• 1	Sight glass	
1115	0147 1489 03	4	GA132(W), GA160(W)		3090	1617 7035 00	•• 2	Side plate	
1120	0301 2378 00	4	Bolt		3100	0690 1112 01	•• 2	Atlas copco logo	
1125	0266 2114 00	4	Washer				• 1	Filter element	
1127	0147 1365 03	2	Nut			1617 7043 03		DD390	GA90-110
1128	0333 3232 00	2	Bolt			1617 7043 07		DD520	GA132-160
1129	0282 0000 06	2	Lock washer		4010		•• 1	Element	
1130		2	Square nut		4015	0663 2109 67	•• 2	O-ring	
	1614 9211 00		Valve			1603 7002 20	• 1	Automatic drain	
	1614 9212 00		GA90(W), GA110(W)		5010	1617 7047 00	•• 1	Autom.drain valve	
1135		2	GA132(W), GA160(W)		5020	0663 2111 29	•• 1	O-ring	
	1614 9199 00		Pipe		5030	1617 7046 00	•• 1	Nut	
	1614 9444 00		GA90(W), GA110(W)		6010	1617 7045 00	• 1	Diff.press.gauge	
1140	0147 1489 03	8	GA132(W), GA160(W)		6040		• 1	Label	
1145	0301 2378 00	8	Bolt			1617 7055 03		Dd390	GA90-110
1150	0266 2114 00	8	Washer			1617 7055 07		Dd520	GA132-160
1155	0663 2106 18	2	Nut		7010	1089 0575 20	1	Dp transducer	
1160	0147 1403 03	8	O-ring		7020	1614 8519 02	1	Cable	
1165	0301 2358 00	8	Bolt						
1180		1	Washer						
	1614 9249 00		Pipe						
			GA90(W)-ISO,						
			GA110(W)-ISO						
	1614 9250 00		GA90(W)-NPT,						
			GA110(W)-NPT						

1) See / Zie / Se / Siehe / Voir / Véase / Vedere / Se / Ver / Se / Katso

Service kits

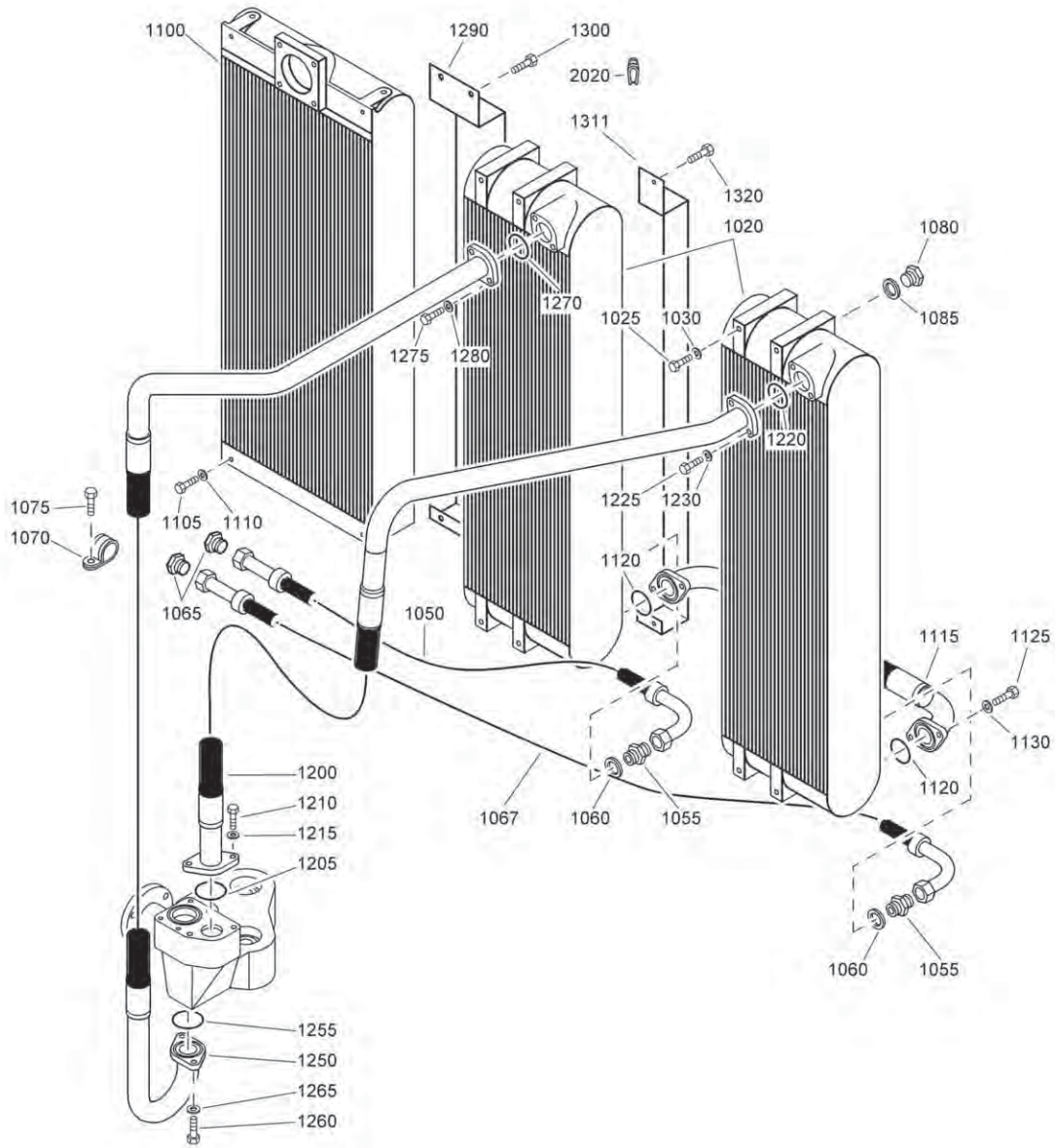
2906 7000 00 : Spare element kit : DD390 :

GA90-110

2906 7003 00 : Spare element kit : DD520 :

GA132-160

14

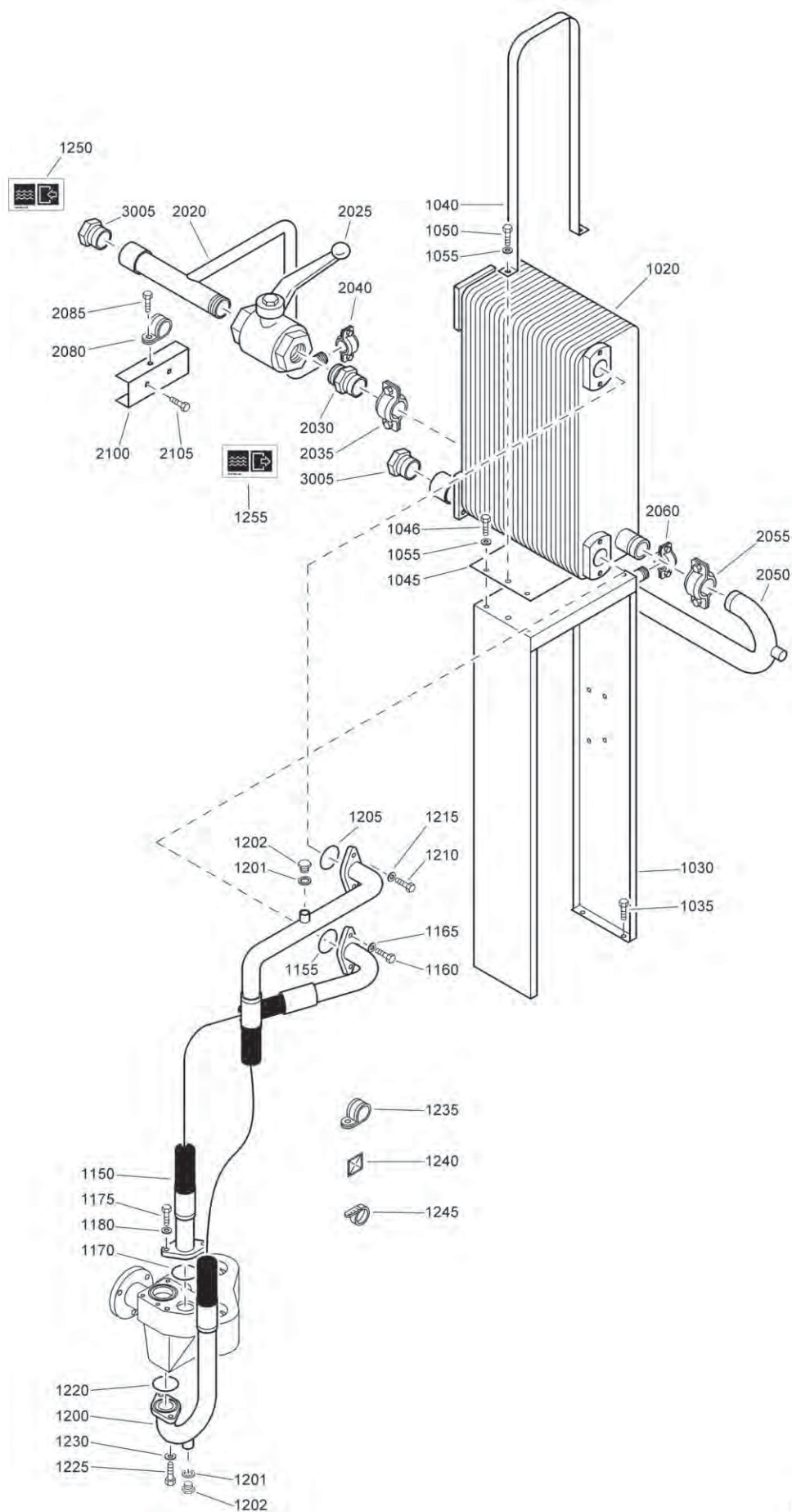


61273_02

Coolers - GA

Ref.	Part number	Qty	Name	Remarks	Ref.	Part number	Qty	Name	Remarks
1020	1614 9358 00	2	Oil cooler			0147 1372 03		GA90 Energy recovery,	
	1614 9188 00		GA90					GA110 Energy recovery	
	1614 9365 00		GA132					GA132 Energy recovery,	
	1614 9189 00		GA160					GA160 Energy recovery	
1025	0147 1323 03	8	Bolt		1215	0301 2344 00	2	Washer	
1030	0300 8019 00	8	Washer		1220	0663 2109 68	1	O-ring	
1050	0574 8235 32	1	Hose assembly		1225	0147 1363 03	2	Bolt	
	0574 8235 37		GA90, GA110		1230	0301 2344 00	2	Washer	
1055	1079 5840 15	2	Nipple		1250		1	Hose assembly	
1060	0661 1000 27	2	Seal washer			1614 8959 00		GA90, GA110	
1065	1614 9252 00	2	Plug			1614 9474 00		GA90 Energy recovery,	
1067	0574 8235 42	1	Hose assembly			1621 9139 00		GA110 Energy recovery	
	0574 8235 45		GA90, GA110			1614 9456 00		GA132, GA160	
1070	0346 1012 44	1	Pipe clamp					GA132 Energy recovery,	
1075	1619 5337 01	1	Bolt		1255	0663 2109 68	1	O-ring	
1080	0686 3716 02	2	Plug		1260		2	Bolt	
1085	0661 1000 27	2	Seal washer			0147 1362 03		GA90, GA110,	
1100	1614 9200 00	1	Aftercooler			0147 1372 03		GA132, GA160	
	1614 9201 00		GA90, GA110					GA90 Energy recovery,	
1105	0147 1323 03	4	Bolt					GA110 Energy recovery,	
1110	0300 8019 00	4	Washer		1265	0301 2344 00	2	Washer	
1115	1614 9220 00	1	Hose assembly		1270	0663 2109 68	1	O-ring	
	1621 9138 00		GA90, GA110		1275	0147 1363 03	2	Bolt	
1120	0663 2109 68	2	O-ring		1280	0301 2344 00	2	Washer	
1125	0147 1363 03	4	Bolt		1290		1	Plate	
1130	0301 2344 00	4	Washer			1614 9494 00		GA90	
1200	1614 8961 00	1	Hose assembly			1614 9498 00		GA110	
	1621 9137 00		GA90, GA110			1614 9497 00		GA132	
1205	0663 2109 68	1	O-ring		1300	1619 2766 00	4	Bolt	
1210	0147 1362 03	2	Bolt		1311		1	Plate	
			GA90, GA110,			1614 9495 00		GA90	
			GA132, GA160			1614 9497 00		GA132	
					1320	1619 2766 00	4	Bolt	
					2020	1619 2795 00	AR	Rubber strip	

15

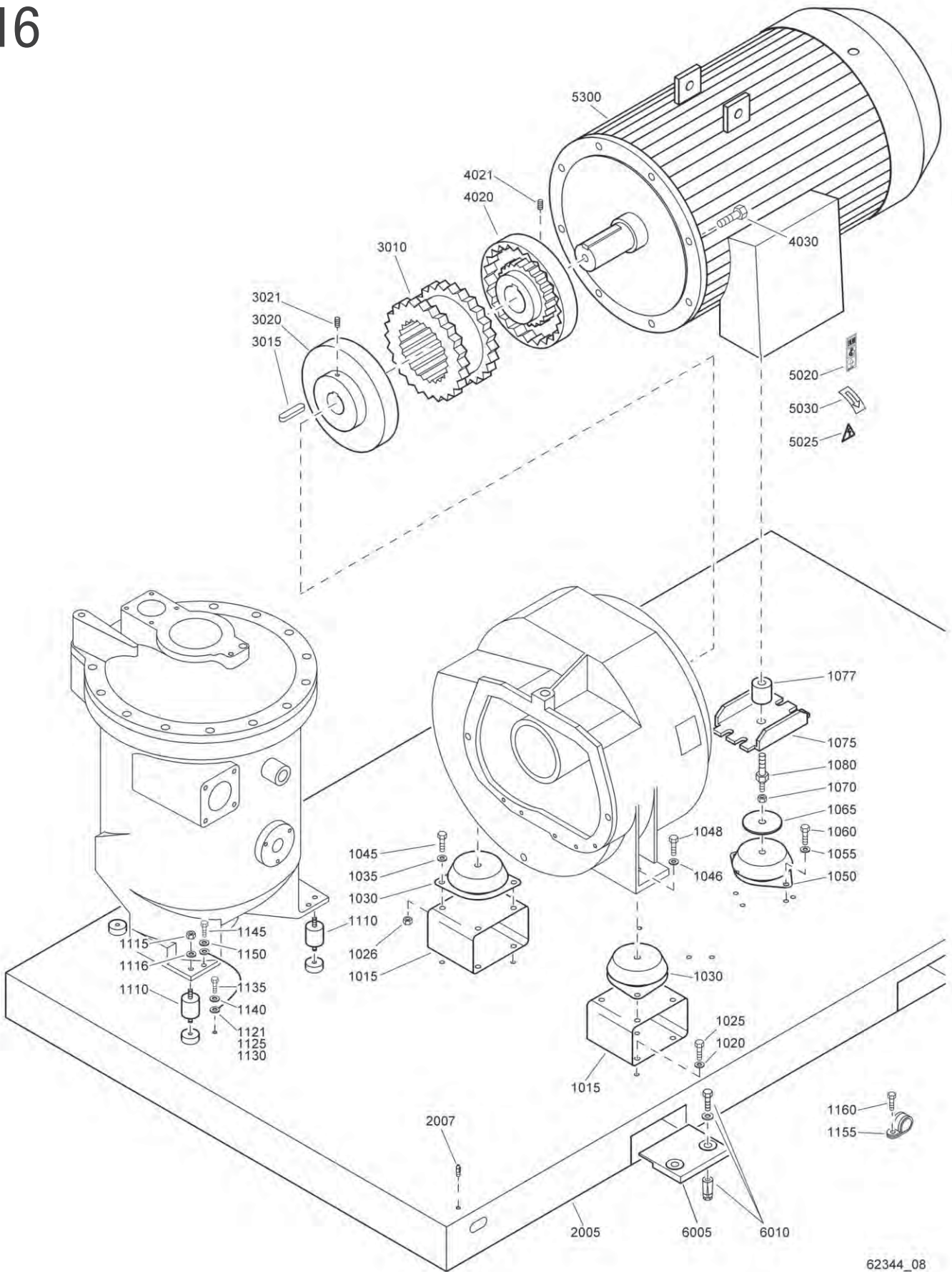


61272_02

Coolers - GA W

Ref.	Part number	Qty	Name	Remarks	Ref.	Part number	Qty	Name	Remarks
1020		1	Cooler		1220	0663 2109 68	1	O-ring	
	1614 9580 00		GA90 W, GA110 W		1225		2	Bolt	
	1614 9584 00		GA132 W, GA160 W			0147 1362 03		GA90 W, GA110 W, GA132 W, GA160 W	
1030	1614 9578 00	1	Support			0147 1363 03		GA90 W Energy recovery, GA110 W Energy recovery, GA132 W Energy recovery, GA160 W Energy recovery	
1035	1619 2766 00	4	Bolt						
1040	1614 9567 00	1	Support						
1045		1	Plate						
	1614 9581 00		GA90 W, GA110 W		1230	0301 2344 00	2	Washer	
	1614 9585 00		GA132 W, GA160 W		1235	0346 1000 15	2	Pipe clamp	
1046	0147 1323 03	4	Bolt		1240	1088 1305 02	5	Push mount	
1050	0147 1325 03	2	Bolt		1245	1088 1301 03	7	Cable strip	
1055	0301 2335 00	6	Washer		1250		1	Inform.label	
1150		1	Hose assembly			1079 9913 79		GA90 W Energy recovery, GA110 W Energy recovery, GA132 W Energy recovery, GA160 W Energy recovery	
	1614 8960 00		GA90 W, GA110 W						
	1614 8962 00		GA132 W, GA160 W						
1155	0663 2109 68	1	O-ring		1255		1	Inform.label	
1160		2	Bolt			1079 9913 69		GA90 W Energy recovery, GA110 W Energy recovery, GA132 W Energy recovery, GA160 W Energy recovery	
	0147 1362 03		GA90 W, GA110 W, GA132 W, GA160 W						
	0147 1372 03		GA90 W Energy recovery, GA110 W Energy recovery, GA132 W Energy recovery, GA160 W Energy recovery		2020		1	Pipe	
1165	0301 2344 00	2	Washer			1614 9272 00		Without air dryer	
1170	0663 2109 68	1	O-ring			1614 9273 00		GA90 W With air dryer, GA110 W With air dryer	
1175		2	Bolt			1614 9932 00		GA132 W With air dryer, GA160 W With air dryer	
	0147 1362 03		GA90 W, GA110 W, GA132 W, GA160 W		2025	1619 6153 08	1	Ball valve	
	0147 1363 03		GA90 W Energy recovery, GA110 W Energy recovery, GA132 W Energy recovery, GA160 W Energy recovery		2030	1614 9274 00	1	Pipe	
					2035	0634 1000 27	1	Pipe coupling	
					2040		1	Union	
1180	0301 2344 00	2	Washer			0586 1000 30		With air dryer	
1200		1	Hose assembly		2050		1	Pipe	
	1614 8957 00		GA90 W, GA110 W			1614 9390 00		GA90 W With air dryer, GA110 W With air dryer	
	1614 8958 00		GA132 W, GA160 W			1614 9391 00		GA90 W Without air dryer, GA110 W Without air dryer	
	1614 9396 00		GA90 W Energy recovery, GA110 W Energy recovery			1614 9933 00		GA132 W With air dryer, GA160 W With air dryer,	
	1614 9397 00		GA132 W Energy recovery, GA160 W Energy recovery			1614 9389 00		GA132 W Without air dryer, GA160 W Without air dryer	
1201	0661 1000 25	2	Seal washer		2055	0634 1000 27	1	Pipe coupling	
1202	0686 3716 01	2	Plug		2060		1	Union	
1205	0663 2109 68	1	O-ring			0586 1000 30		With air dryer	
1210		2	Bolt		2080	1619 2861 01	2	Clamp	
	0147 1362 03		GA90 W, GA110 W, GA132 W, GA160 W		2085	1619 5337 01	2	Bolt	
	0147 1372 03		GA90 W Energy recovery, GA110 W Energy recovery, GA132 W Energy recovery, GA160 W Energy recovery		2100	1614 9579 00	1	Support	
					2105	1619 2766 00	2	Bolt	
					3005		2	Bushing	
1215	0301 2344 00	2	Washer			0605 8350 26		NPT	

16

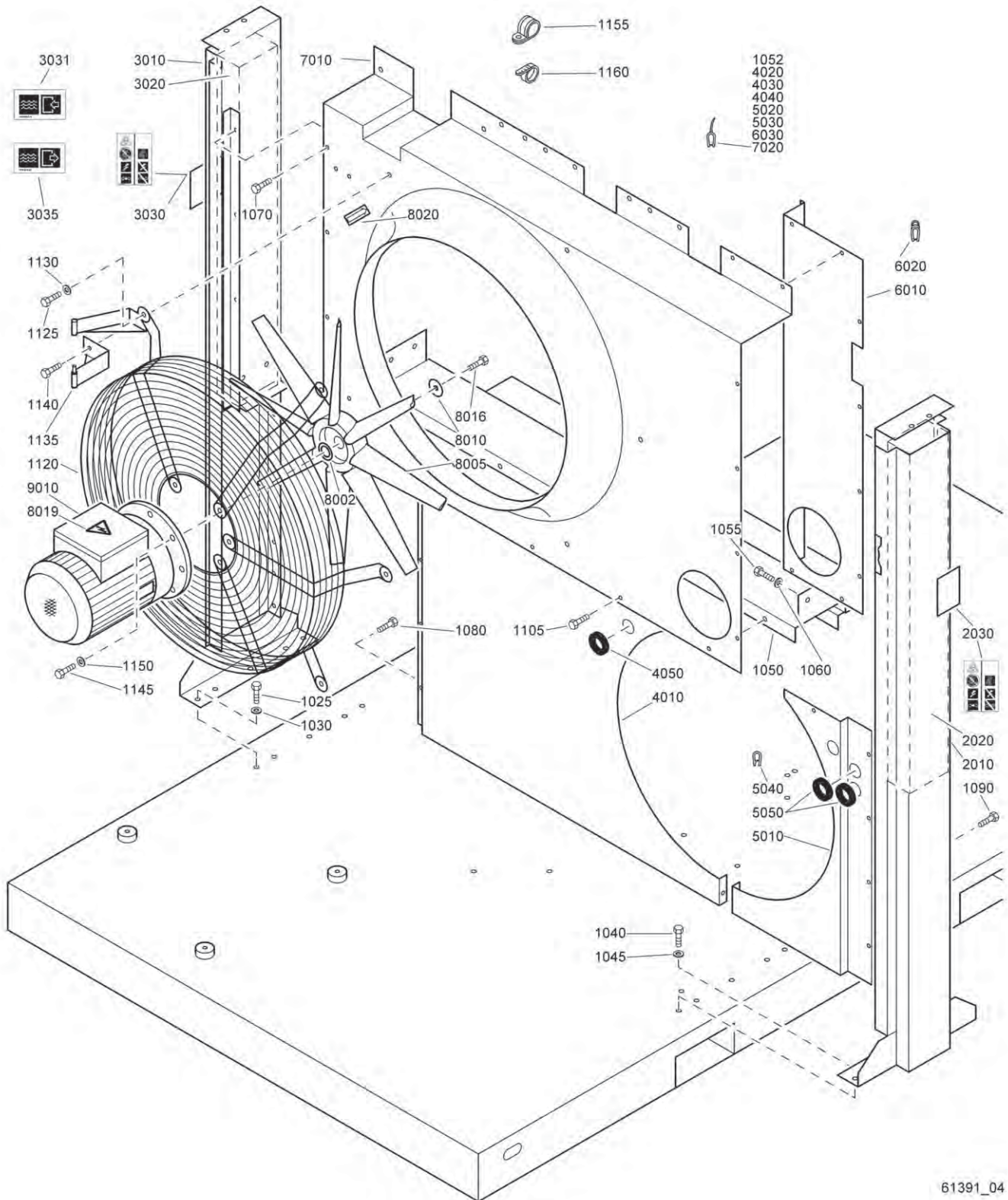


62344_08

Frame and coupling

Ref.	Part number	Qty	Name	Remarks	Ref.	Part number	Qty	Name	Remarks
1015	1614 9099 00	2	Support		1080 2855 43		GA90	13)	500V/50Hz
1020	0301 2358 00	12	Washer		1080 2855 51		GA90	13)	220-230V/60Hz
1025		4	Bolt		1080 2855 42		GA90	13)	380V/60Hz
	0147 1401 03		1)6)7)10)11)		1080 2855 19		GA90	12)	440-460V/60Hz
	0147 1400 03		2)3)4)5)8)9)		1080 2855 52		GA90	13)	440-460V/60Hz
1026	0266 2112 00	4	Nut		1080 2855 52		GA90	13)	440-460V/60Hz
1030	1020 5072 00	2	Rubber buffer		1080 4022 34		GA110	13)	230V/50Hz
1035	0301 2358 00	4	Washer		1080 4022 02		GA110	12)	400V/50Hz
1045	0147 1400 03	4	Bolt		1080 4022 31		GA110	13)	400V/50Hz
1046	0333 3244 00	2	Lock washer		1080 4022 31		GA110	13)	400V/50Hz
1048	0147 1479 03	2	Bolt		1080 4022 33		GA110	13)	500V/50Hz
1050		1	Rubber buffer		1080 4023 51		GA110	13)	220-230V/60Hz
	1020 5072 00		1)2)3)4)5)6)8)9)		1080 4023 18		GA110	12)	380V/60Hz
	1619 5318 01		7)		1080 4023 32		GA110	13)	380V/60Hz
1055	0301 2358 00	2	Washer		1080 4023 32		GA110	13)	380V/60Hz
1060			Bolt		1080 4023 19		GA110	12)	440-460V/60Hz
	0147 1400 03	2	1)3)4)5)6)7)8)9)		1080 4023 52		GA110	13)	440-460V/60Hz
	0147 1401 03	4	2)		1080 4023 52		GA110	13)	440-460V/60Hz
1065	1614 6600 00	1	Disc		1080 4023 54		GA132	13)	230V/50Hz
1070	0261 2114 00	1	Nut		1080 4023 02		GA132	12)	400V/50Hz
1075		1	Support		1080 4023 31		GA132	13)	400V/50Hz
	1614 6599 00		1)2)3)4)5)8)9)		1080 4023 31		GA132	13)	400V/50Hz
	1614 8743 00		6)7)		1080 4023 33		GA132	13)	500V/50Hz
1077		1	Spacer		1080 2857 54		GA160	13)	230V/50Hz
	1614 9710 00		6)7)		1080 2857 12		GA160	12)	400V/50Hz
1080		1	Stud		1080 2857 51		GA160	13)	400V/50Hz
	1614 6659 00		1)		1080 2857 51		GA160	13)	400V/50Hz
	1614 6597 00		2)3)4)5)8)9)		1080 2857 53		GA160	13)	500V/50Hz
	1614 9499 00		6)7)		1080 2857 18		GA160	12)	380V/60Hz
1110	1614 9542 00	3	Buffer		1080 2857 52		GA160	13)	380V/60Hz
1115	0266 2111 00	3	Nut		1080 2857 52		GA160	13)	380V/60Hz
1116	0333 3232 00	3	Lock washer		1080 2857 19		GA160	12)	440-460V/60Hz
1121	0017 2071 00	AR	Cable		1080 2857 62		GA160	13)	440-460V/60Hz
1125	0694 5138 00	1	Cable lug		1080 2857 62		GA160	13)	440-460V/60Hz
1130	1088 0010 25	1	Cable lug				ABB motor		HXR 315 LA - 4
1135	0147 1322 03	1	Bolt		1080 4038 21		GA132	12)	3KV/50Hz
1140	0333 3227 00	1	Lock washer		1080 4038 22		GA132	12)	3.3KV/50Hz
1145	0147 1358 03	1	Bolt		1080 4038 25		GA132	12)	6KV/50Hz
1150	0333 3232 00	1	Lock washer		1080 4038 41		GA160	12)	3KV/50Hz
1155	1619 2861 04	2	Clamp		1080 4038 42		GA160	12)	3.3KV/50Hz
1160	1619 2766 00	1	Bolt		1080 4038 45		GA160	12)	6KV/50Hz
		1	Frame		1080 4038 61		GA160	12)	3.3KV/60Hz
	1614 9725 80		1)2)6)10)		1080 4038 62		GA160	12)	4.16KV/60Hz
	1614 9726 80		3)4)5)7)8)9)11)		1080 4038 63		GA160	12)	6.6KV/60Hz
2005		• 1	Frame				WEG motor		W21 ... /4
	1614 9725 00		1)2)6)10)		1080 4146 09		GA90	12)	440-460V/60Hz
	1614 9726 00		3)4)5)7)8)9)11)		1080 4146 10		GA90	12)	575V/60Hz
2007	1614 9851 00	• 4	Pin		1080 4147 09		GA110	12)	440-460V/60Hz
3010	1614 8738 00	1	Flex.coupling		1080 4147 10		GA110	12)	575V/60Hz
3015	0337 5305 00	1	Parallel key		1080 4148 09		GA160	12)	440-460V/60Hz
3020	2254 7357 01	1	Coupling half		1080 4148 10		GA160	12)	575V/60Hz
3021	0196 1360 00	• 1	Screw				Standard option		
4020		1	Coupling half				Anchor pads		
	2254 7357 12		1)		6005 1621 5004 00	• 4	Plate		
	2254 7357 04		6)		6010 0226 9929 06	• 8	Wedge bolt		
	2254 7357 07		2)3)4)5)8)9)						
	2254 7357 06		7)		1)		GA90/50Hz, GA110/50Hz (ABB motor),		
	2254 7357 03		10)11)				GA90/60Hz (ABB motor)		
4021	0196 1360 00	• 1	Screw		2)		GA110/60Hz (ABB motor)		
4030			Bolt		3)		GA132/50Hz-230/500V (ABB motor)		
	0147 1479 03	8	1)		4)		GA160/50Hz-230/500V (ABB motor)		
	0147 1550 03	8	6)7)		5)		GA160/60Hz-380/575V (ABB motor)		
	0147 1552 03	8	2)3)4)5)8)9)		6)		GA90/60Hz, GA110/60Hz (WEG motor)		
		1	Labels		7)		GA160/60Hz (WEG motor)		
	2000 0211 61		2)3)4)5)7)8)9)		8)		GA132/60Hz-3,3/6,6KV,		
5020	1079 9901 29	• 1	Label				GA160/60Hz-3,3/6,6KV (ABB motor)		
5025	1088 1001 04	• 1	Warning mark		9)		GA132/50Hz-3/6KV,		
5030	1503 0786 00	• 1	Rotation arrow				GA160/50Hz-3/6KV (ABB motor)		
5300		1	Motor		10)		GA90, GA110 (Without motor)		
			ABB motor	M2CA - 4	11)		GA132, GA160 (Without motor)		
	1080 2855 44		GA90	13)	12)		Basic motor		
	1080 2855 12		GA90	12)	13)		Full option motor		
	1080 2855 41		GA90	13)					
	1080 2855 41		GA90	13)					

17

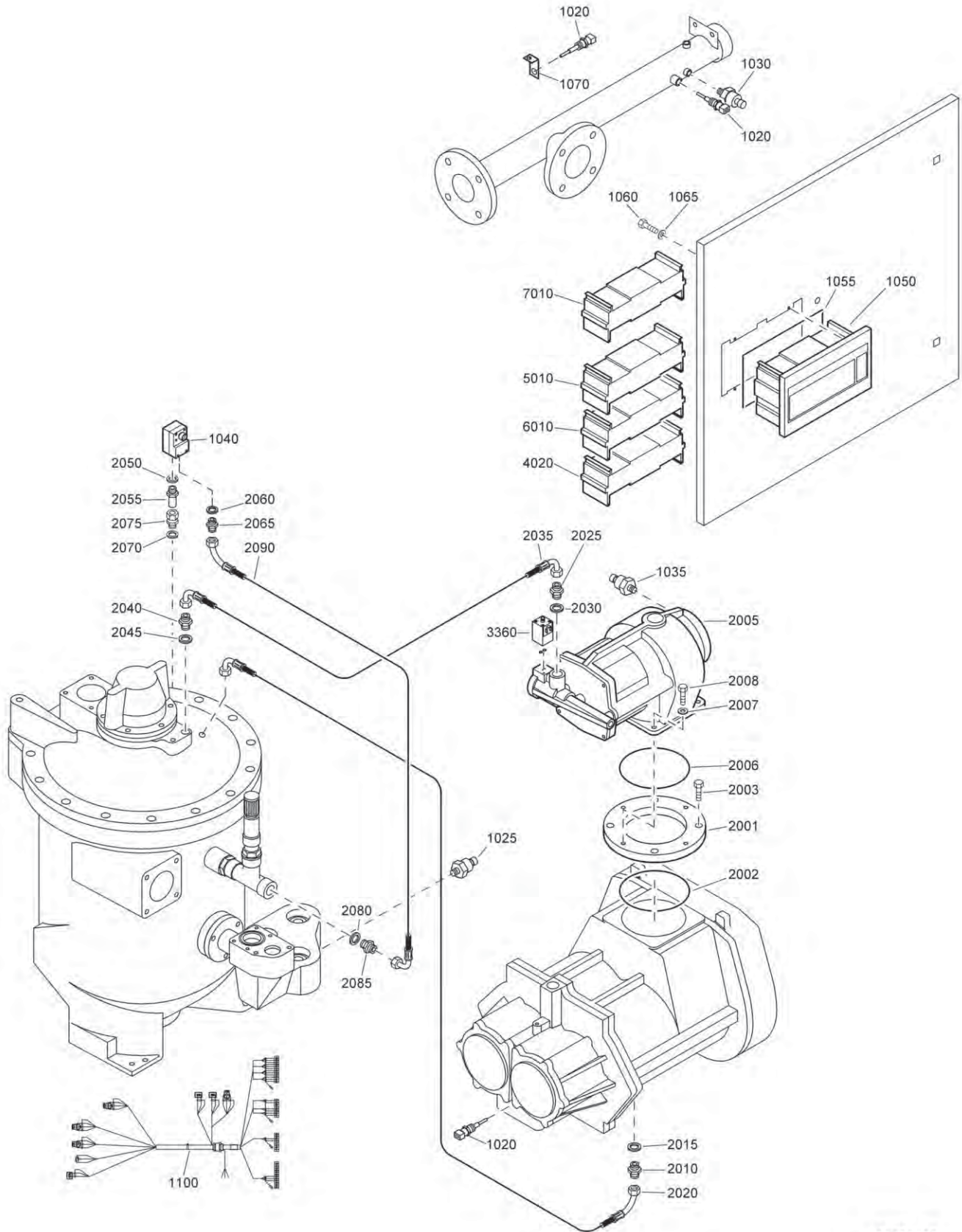


61391_04

Fan and cooling duct plates - GA

Ref.	Part number	Qty	Name	Remarks	Ref.	Part number	Qty	Name	Remarks
1025	0147 1362 03	5	Bolt		4030	1619 6449 00	AR	Seal	
1030	0301 2344 00	5	Washer		4040	1619 6449 00	AR	Seal	
1040	0147 1362 03	5	Bolt		4050	1088 0803 26	1	Grommet	
1045	0301 2344 00	5	Washer		5010	1614 9196 00	1	Baffle	
1050		1	Support		5020	1619 6449 00	AR	Seal	
	1614 9469 00		GA90, GA110		5030	1619 6449 00	AR	Seal	
	1614 9183 00		GA132, GA160		5040	1503 1056 00	AR	Seal	
1052	1619 6449 00	AR	Seal		5050	1088 0803 26	2	Grommet	
1055	0147 1360 03	4	Bolt		6010		1	Plate	
1060	0301 2344 00	4	Washer			1614 9466 00		GA90, GA110	
1070			Bolt			1614 9216 00		GA132, GA160	
	1619 2766 00	8	GA90, GA110		6020	1619 2795 00	AR	Rubber strip	
	1619 2766 00	9	GA132, GA160		6030	1619 6449 00	AR	Seal	
1080	1619 2766 00	5	Bolt		7010		1	Fan cowl	
1090			Bolt			1614 9471 00		GA90, GA110	
	1619 2766 00	8	GA90, GA110			1614 9489 00		GA132, GA160	
	1619 2766 00	6	GA132, GA160		7020	1619 6449 00	AR	Seal	
1105			Bolt		8002			Washer	
	1619 2766 00	13	GA90, GA110			1614 6453 00	1	GA90, GA110	
	1619 2766 00	14	GA132, GA160			1614 6453 00	2	GA132, GA160	
1120			Fan guard		8005			Fan	
	1614 9882 00	1	GA90, GA110			1614 9285 00	1	GA90, GA110 50Hz	
	1614 9403 00	2	GA132, GA160			1614 9287 00	1	GA90, GA110 60Hz	
1125			Bolt			1614 9287 00	2	GA132, GA160 50Hz	
	0147 1363 03	5	GA90, GA110			1614 9424 00	2	GA132, GA160 60Hz	
	0147 1363 03	10	GA132, GA160		8010			Washer	
1130			Lock washer			1614 6456 00	1	GA90, GA110	
	0333 3232 00	5	GA90, GA110			1614 6456 00	2	GA132, GA160	
	0333 3232 00	10	GA132, GA160		8016			Bolt	
1135			Hinge			0147 1363 03	1	GA90, GA110	
	1614 9762 00	2	GA90, GA110			0147 1363 03	2	GA132, GA160	
	1614 9405 00	4	GA132, GA160		8019	1088 1001 01	1	Warning mark	
1140			Bolt		8020	1503 0786 00	1	Rotation arrow	
	1619 5337 01	4	GA90, GA110		9010		1	Fan motor	
	1619 5337 01	8	GA132, GA160					GA90, GA110	
1145			Bolt			1080 4034 42		230-400V/50Hz, 3.6KW	
	0147 1401 03	4	GA90, GA110					440-460V/60Hz 5HP	
	0147 1401 03	8	GA132, GA160			1080 4034 44		500V/50Hz, 3.6KW	
1150			Washer					575V/60Hz 5HP	
	0301 2358 00	4	GA90, GA110			1080 4034 47		220-230V/60Hz, 5HP	
	0301 2358 00	8	GA132, GA160				2	380V/60Hz 5HP	
1155	0346 1000 15	3	Pipe clamp					GA132, GA160	
1160	1088 1301 04	5	Cable strip			1080 4034 42		230-400V/50Hz, 3.6KW	
2010	1614 9440 00	1	Beam	1)				440-460V/60Hz 5HP	
2020	1614 9442 00	1	Silencing foam			1080 4034 44		500V/50Hz, 3.6KW	
2030	1079 9901 09	1	Label					575V/60Hz 5HP	
3010		1	Beam			1080 4034 47		220-230V/60Hz, 5HP	
	1614 9441 00		Standard	1)				380V/60Hz 5HP	
	1614 9422 00		Energy recovery	1)2)					
3020	1614 9442 00	1	Silencing foam		1)			Lined with / Bekleed met / Beklädd med / Ausgekleidet mit / Garnir de / Rivestido de / Allineato con / Foret med / Revestido com / Kledd med / Vuorattu :	
3030	1079 9901 09	1	Label					Foam: 0395 6001 69 (AR) 50 x 2040 x 1650	
3031	1079 9913 79	1	Inform.label		2)			Lined with / Bekleed met / Beklädd med / Ausgekleidet mit / Garnir de / Rivestido de / Allineato con / Foret med / Revestido com / Kledd med / Vuorattu :	
3035	1079 9913 69	1	Inform.label					Foam: 0395 6001 59 (AR) 30 x 2040 x 1650	
4010		1	Baffle						
	1614 9197 00		GA90, GA110						
	1614 9215 00		GA132, GA160						
4020	1619 6449 00	AR	Seal						

18



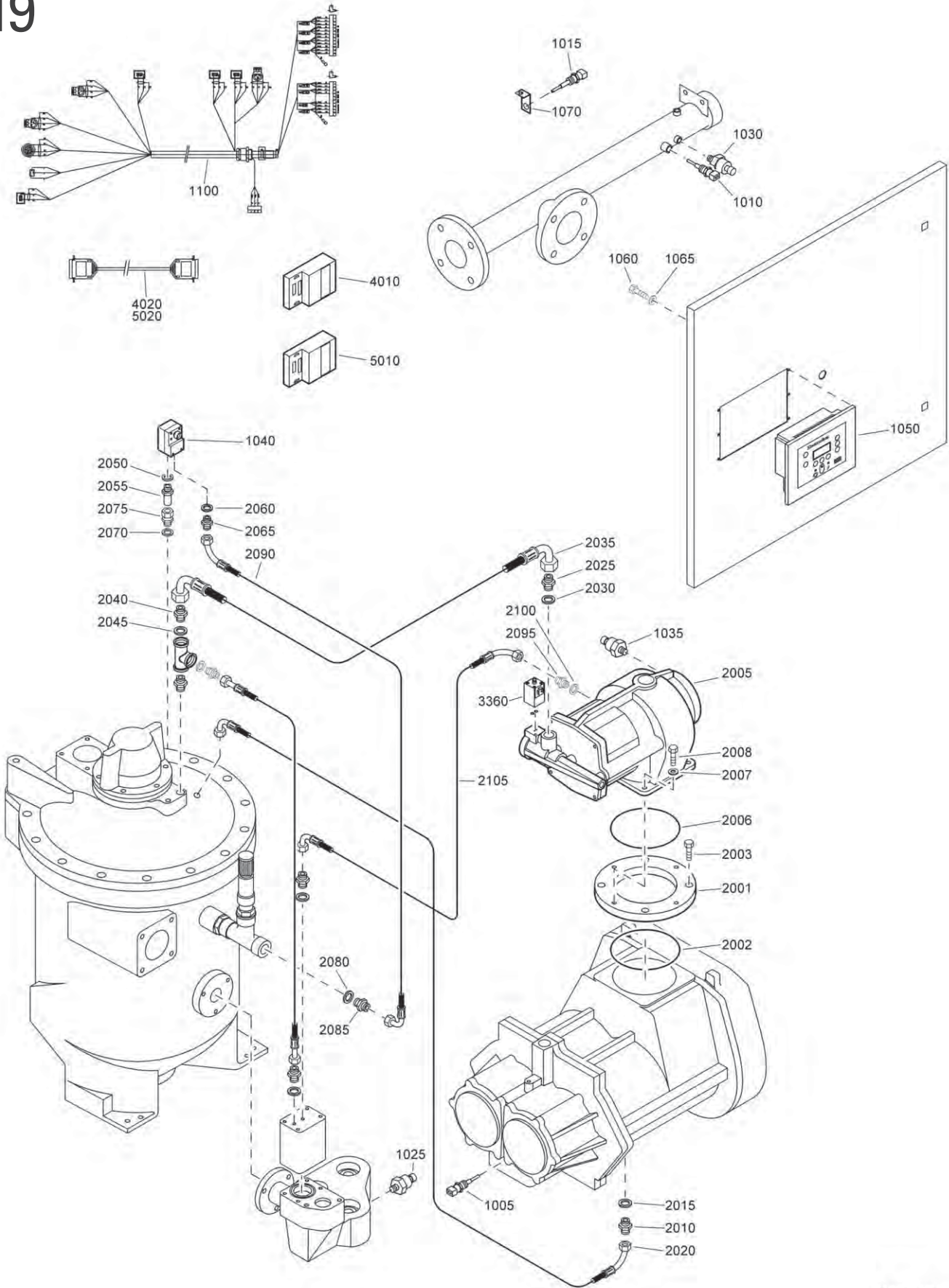
61395_09

Regulating system - 1)

Ref.	Part number	Qty	Name	Remarks	Ref.	Part number	Qty	Name	Remarks
1020	1089 0574 07	3	Temp. sensor		2040	1079 5840 29	1	Hexagon nipple	
1025	1089 0575 28	1	Press.transducer		2045	0661 1000 29	1	Seal washer	
1030	1089 0575 28	1	Press.transducer		2050	0661 1000 24	1	Seal washer	
1035	1089 0575 33	1	Press.transducer		2055	1615 3624 00	1	Nozzle	
1040	1089 0575 20	1	Dp transducer		2060	0661 1000 24	1	Seal washer	
1050	1900 0701 25	1	Regulator		2065	1079 5840 01	1	Nipple	
1055	1503 2467 00	AR	Seal cord		2070	0661 1000 25	1	Seal washer	
1060	0160 6059 00	4	Screw		2075	0580 0013 32	1	Coupling	
1065	0301 2318 00	4	Washer		2080	0661 1000 30	1	Seal washer	
1070	1614 9406 00	1	Bracket		2085	1614 9144 00	1	Hexagon nipple	
1100	1614 9149 00	1	Wire harness		2090	0575 0361 18	1	Hose assembly	
2001		1	Spacer		3360		1	Solenoid valve	
	1614 9237 00		GA90(W), GA110(W)			1089 0621 10		50Hz	
2002		1	O-ring			1089 0621 11		60Hz	CSA/UL
	0663 2109 71		GA90(W), GA110(W)		4020	1900 0701 91	1	Profibus	
2003		4	Cap screw		5010	1900 0701 45	1	Sioe	
	0211 1362 03		GA90(W), GA110(W)		6010	1900 0701 63	1	COM1 module	
2005	<<< >>>	1	Unloader assembly		7010	1900 0701 82	1	COM2 module	
2006	0663 2109 71	1	O-ring						
2007	0301 2344 00	4	Washer						
2008	0147 1363 03	4	Bolt						
2010	1079 5840 19	1	Nipple						
2015	0661 1000 27	1	Seal washer						
2020		1	Hose assembly						
	0575 0791 37		GA90(W), GA110(W)						
	0575 0791 46		GA132(W), GA160(W)						
2025	1079 5840 29	1	Hexagon nipple						
2030	0661 1000 29	1	Seal washer						
2035		1	Hose assembly						
	0574 8845 16		GA90(W), GA110(W)						
	0574 8845 43		GA132(W), GA160(W)						

1) Up to serial No. :
 Tot serienummer:
 T.o.m. tillverkningsnummer:
 Bis Seriennummer:
 Jusqu'au numéro de série:
 Hasta el número de serie:
 Fino al numeri di serie:
 Gælder til følgende serienumre:
 Até o número de série:
 Til følgende serienummer:
 Seuraavaan valmistusnumeroon asti, No.:
 AIF-078 299

19



61783_09

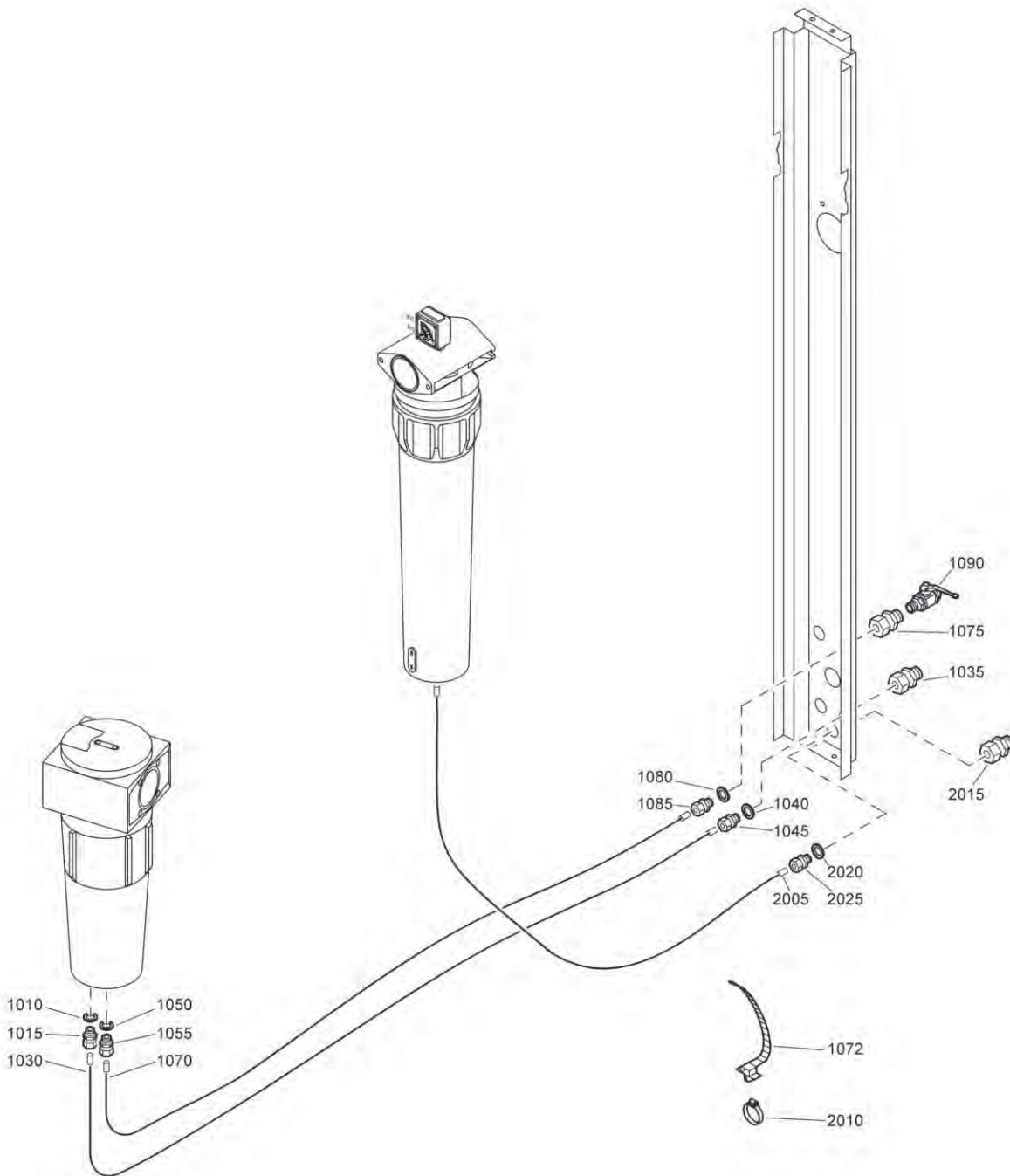
Regulating system - 2)

Ref.	Part number	Qty	Name	Remarks	Ref.	Part number	Qty	Name	Remarks
1005	1089 0574 07	1	Temp. sensor		2055	1615 3624 00	1	Nozzle	
1010	1089 0574 07	1	Temp. sensor		2060	0661 1000 24	1	Seal washer	
1015	1089 0574 07	1	Temp. sensor		2065	1079 5840 01	1	Nipple	
1025	1089 0575 28	1	Press.transducer		2070	0661 1000 25	1	Seal washer	
1030	1089 0575 28	1	Press.transducer		2075	0580 0400 03	1	Str.coupling	
1035	1089 0575 33	1	Press.transducer		2080	0661 1000 30	1	Seal washer	
1040	1089 0575 20	1	Dp transducer		2085	1614 9144 00	1	Hexagon nipple	
1050	1900 0710 31	1	Regulator		2090	0575 0361 18	1	Hose assembly	
1060	0160 6038 00	4	Screw		2095	1619 5205 00	1	Nipple	
1065	0301 2315 00	4	Washer		2100	0653 0500 02	1	Flat gasket	
1070	1614 9406 00	1	Bracket		2105		1	Hose assembly	
1100	1621 0920 00	1	Wire harness			0574 8231 26		GA90(W), GA110(W)	
2001		1	Spacer			0574 8231 35		GA132(W), GA160(W)	
	1614 9237 00		GA90, GA110		3360		1	Solenoid valve	
2002		1	O-ring			1089 0621 10		50Hz	
	0663 2109 71		GA90, GA110			1089 0621 11		60Hz	CSA/UL
2003		4	Cap screw		4010	1900 0710 41	1	Regulator module	SIOE-
	0211 1362 03		GA90, GA110						
2005	<<< >>>	1	Unloader assembly		4020	1622 0661 03	1	Cable	
2006	0663 2109 71	1	O-ring		5010	1900 0710 71	1	Regulator module	DIOE-
2007	0301 2344 00	4	Washer						
2008	0147 1363 03	4	Bolt		5020	1622 0661 03	1	Cable	
2010	1079 5840 19	1	Nipple						
2015	0661 1000 27	1	Seal washer						
2020		1	Hose assembly						
	0575 0791 37		GA90(W), GA110(W)						
	0575 0791 46		GA132(W), GA160(W)						
2025	1079 5840 29	1	Hexagon nipple						
2030	0661 1000 29	1	Seal washer						
2035		1	Hose assembly						
	0574 8845 16		GA90, GA110						
	0574 8235 32		GA90 W, GA110 W						
	0574 8845 44		GA132(W), GA160(W)						
2040	1079 5840 29	1	Hexagon nipple						
2045	0661 1000 29	1	Seal washer						
2050	0661 1000 24	1	Seal washer						

2) From following serial No. onwards:
 Geldig vanaf volgend serienummer:
 Fr.o.m. tillverkningsnummer:
 Gültig ab Seriennummer:
 Valable à partir du numéro de série suivant:
 A partir del siguiente número de serie:
 Dai seguenti numeri di serie in avanti:
 Gælder fra følgende serienumre:
 A partir do número de série:
 Fra og med følgende serienummer:
 Alkaen valmistusnumerosta
 AIF-078 300

20

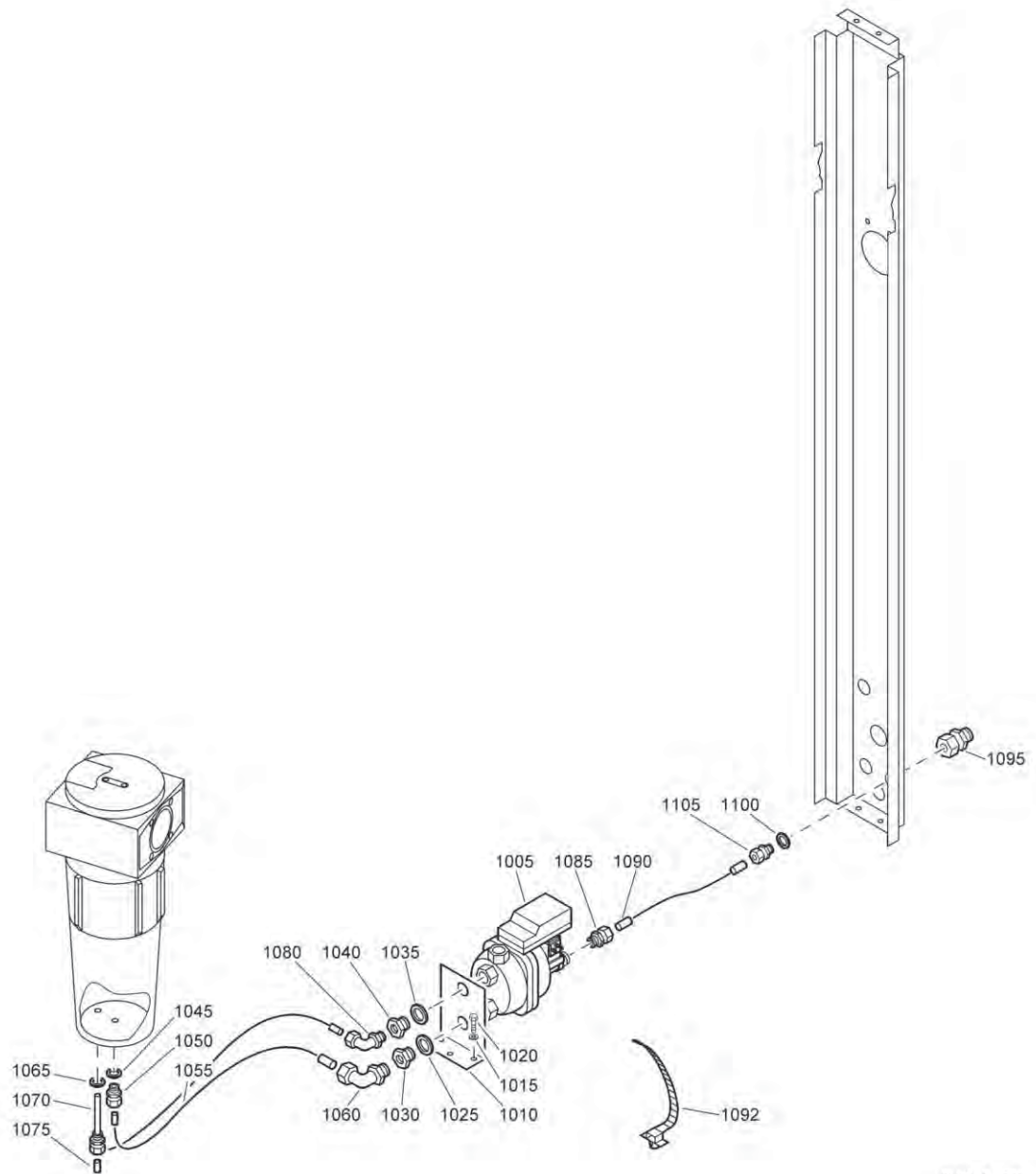
Drain system - Basic- and DD-filter drain



61243_06
61243_06

Ref.	Part number	Qty	Name	Remarks	Ref.	Part number	Qty	Name	Remarks
1010	0661 1000 25	1	Seal washer		1075	0581 0000 86	1	Pipe coupling	
1015	0581 0000 45	1	Pipe coupling		1080	0653 1124 00	1	Flat gasket	
1030	0070 6002 06	AR	Plastic tube		1085	0581 0000 53	1	Pipe coupling	
1035	0581 0000 86	1	Pipe coupling		1090	0852 0010 33	1	Ball valve	
1040	0653 1124 00	1	Flat gasket		2005	0070 6002 06	AR	Plastic tube	
1045	0581 0000 53	1	Pipe coupling		2010	0347 6102 00	1	Hose clip	
1050	0653 1062 00	1	Flat gasket		2015	0581 0000 86	1	Pipe coupling	
1055	0581 0000 45	1	Pipe coupling		2020	0661 1000 27	1	Seal washer	
1070	0070 6002 06	AR	Plastic tube		2025	0581 0000 53	1	Pipe coupling	
1072	1621 1091 00	3	Clamp						

Drain system - Electronic drain system

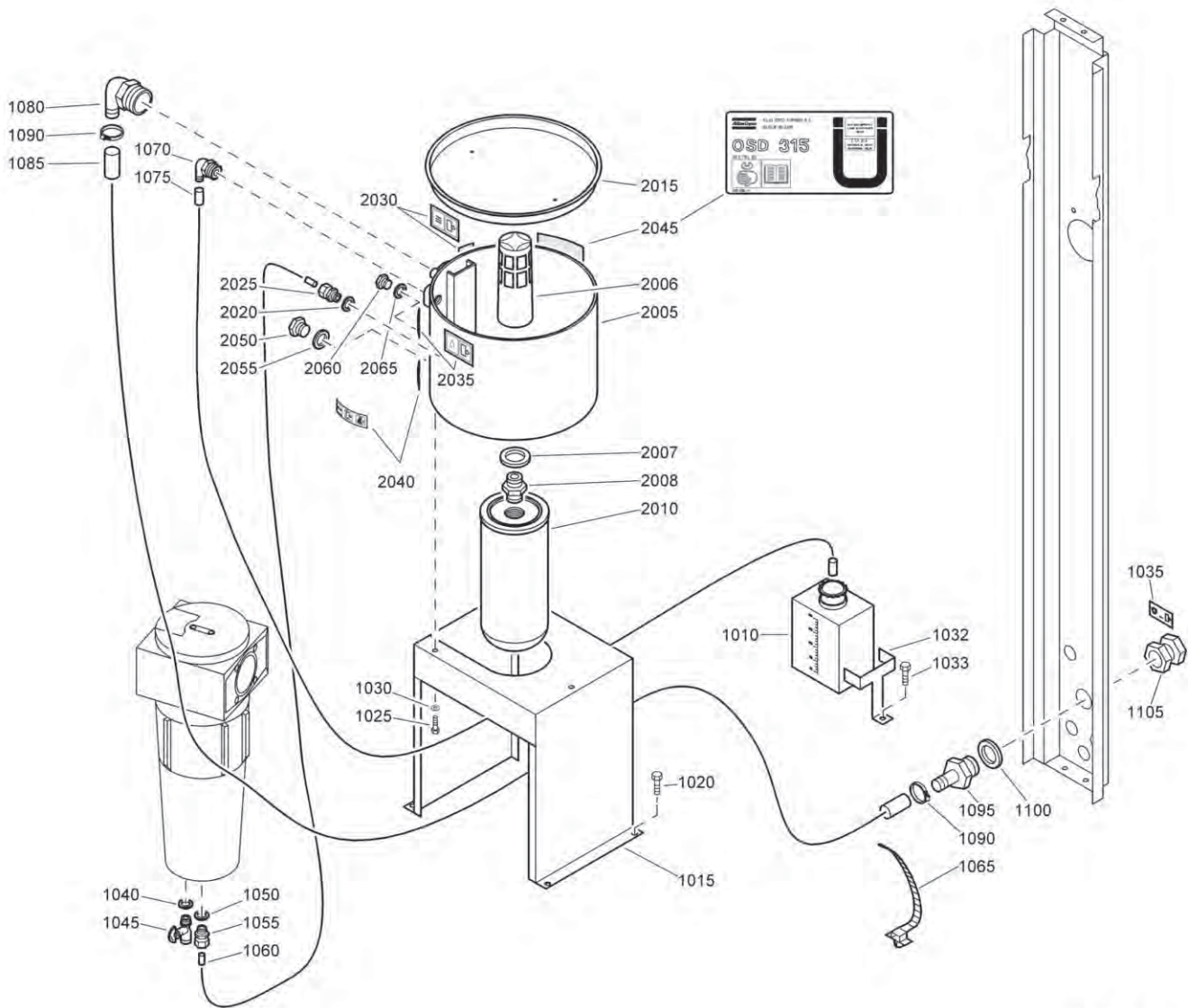


61245_06

61245_06

Ref.	Part number	Qty	Name	Remarks	Ref.	Part number	Qty	Name	Remarks
1005	8102 0425 80	1	Drain valve	230V 50-60Hz	1055	0070 6002 13	AR	Plastic tube	
	8102 0425 98			110V 50-60Hz	1060	0581 1200 38	1	Pipe coupling	
1010	1617 1768 00	1	Support		1065	0661 1000 25	1	Seal washer	
1015	0301 2335 00	3	Washer		1070	1613 8084 00	1	Pipe coupling	
1020	0147 1323 03	3	Bolt		1075	0070 6002 05	AR	Plastic tube	
1025	0661 1000 29	1	Seal washer		1080	0581 1200 23	1	Elbow	
1030	0605 8700 84	1	Bushing		1085	0581 0001 04	1	Pipe coupling	
1035	0661 1000 29	1	Seal washer		1090	0070 6002 13	AR	Plastic tube	
1040	0605 8820 05	1	Bushing		1092	1621 1091 00	2	Clamp	
1045	0661 1000 27	1	Seal washer		1095	0581 0000 86	1	Pipe coupling	
			GA90(W), GA110(W)		1100	0661 1000 27	1	Seal washer	
1050		1	Pipe coupling		1105	0581 0000 71	1	Pipe coupling	
	0581 0000 71		GA90(W), GA110(W)						
	0581 1200 38		GA132(W), GA160(W)						

22

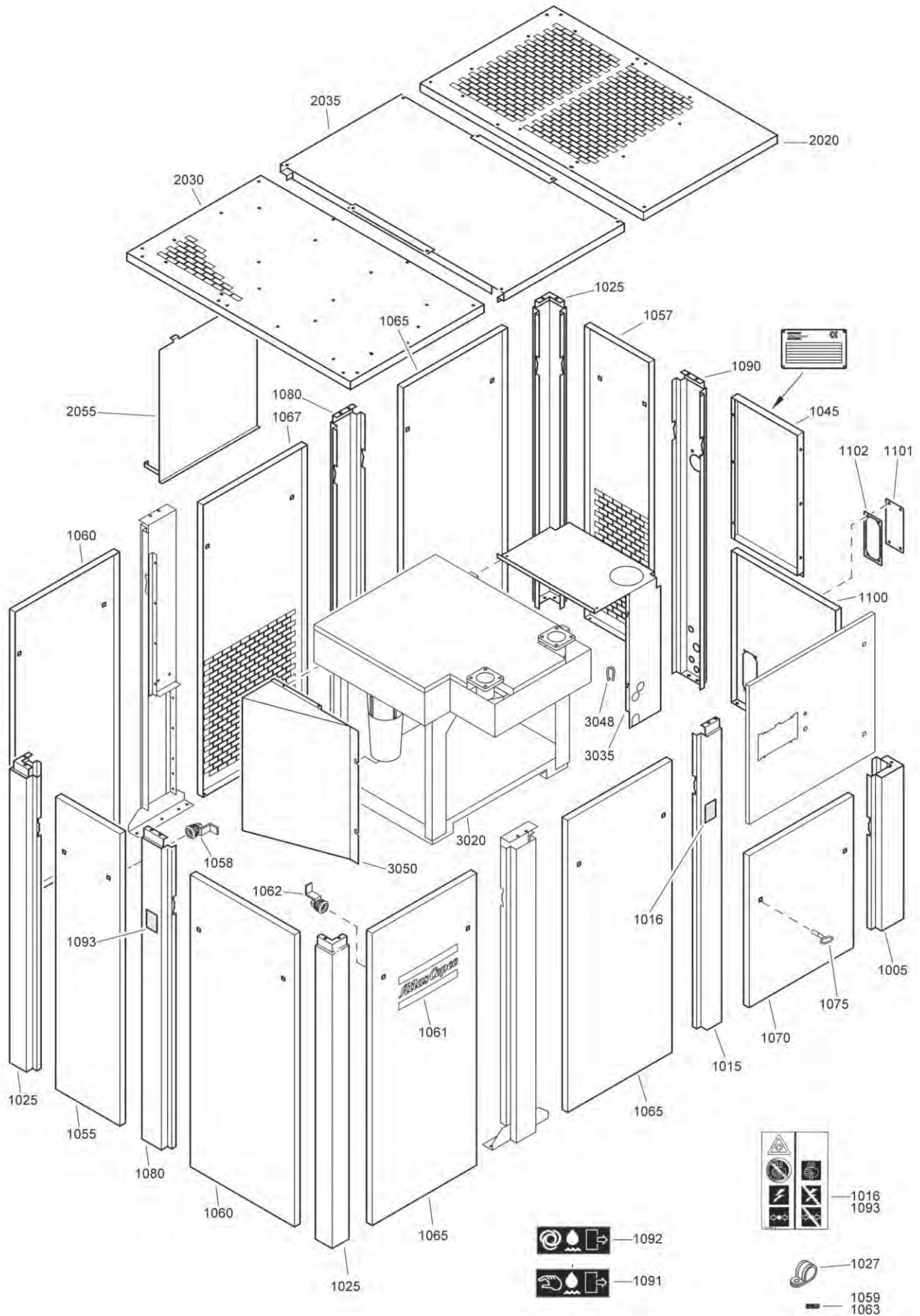


61244_06

Drain system - Oil Separator Condensate drain

Ref.	Part number	Qty	Name	Remarks	Ref.	Part number	Qty	Name	Remarks
1010	1613 9735 00	1	Oil can		1100	0661 1000 31	1	Seal washer	
1015	1621 9084 00	1	Support		1105	1614 9881 00	1	Bushing	
1020	1619 2766 00	4	Bolt		2005	1614 9351 00	1	Housing	
1025	0147 1322 03	3	Bolt		2006	1613 7299 00	1	Strainer	
1030	0301 2335 00	3	Washer		2007	9125 6295 00	1	Seal washer	
1032	1622 0091 00	1	Support		2008	1613 7297 00	1	Check valve	
1033	1619 2766 00	1	Bolt		2010	1614 9352 00	1	Oil filter	
1035	1079 9910 97	1	Label		2015	1614 9707 00	1	Cover	
1040	0661 1000 25	1	Seal washer		2020	0661 1000 25	1	Seal washer	
1045	0852 0010 29	1	Ball valve		2025	1614 9363 00	1	Pipe coupling	
1050	0661 1000 25	1	Seal washer		2030	1079 9913 69	1	Inform.label	
1055	0581 0000 35	1	Pipe coupling		2035	1079 9912 28	1	Information label	
1060	0070 6002 03	AR	Flexible		2040	1079 9912 07	1	Information label	
1065	1621 1091 00	3	Clamp		2045	1079 9920 17	1	Information label	
1070	1613 7335 00	1	Hose nipple		2050	0686 3716 45	1	Hexagon plug	
1075	0070 6002 14	AR	Flexible		2055	0661 1000 27	1	Seal washer	
1080	1614 9706 00	1	Hose nipple		2060	0686 3716 44	1	Hexagon plug	
1085	0070 6002 28	AR	Plastic tube		2065	0661 1000 25	1	Seal washer	
1090	0347 6110 00	2	Hose clip						
1095	1614 9876 00	1	Hose nipple						

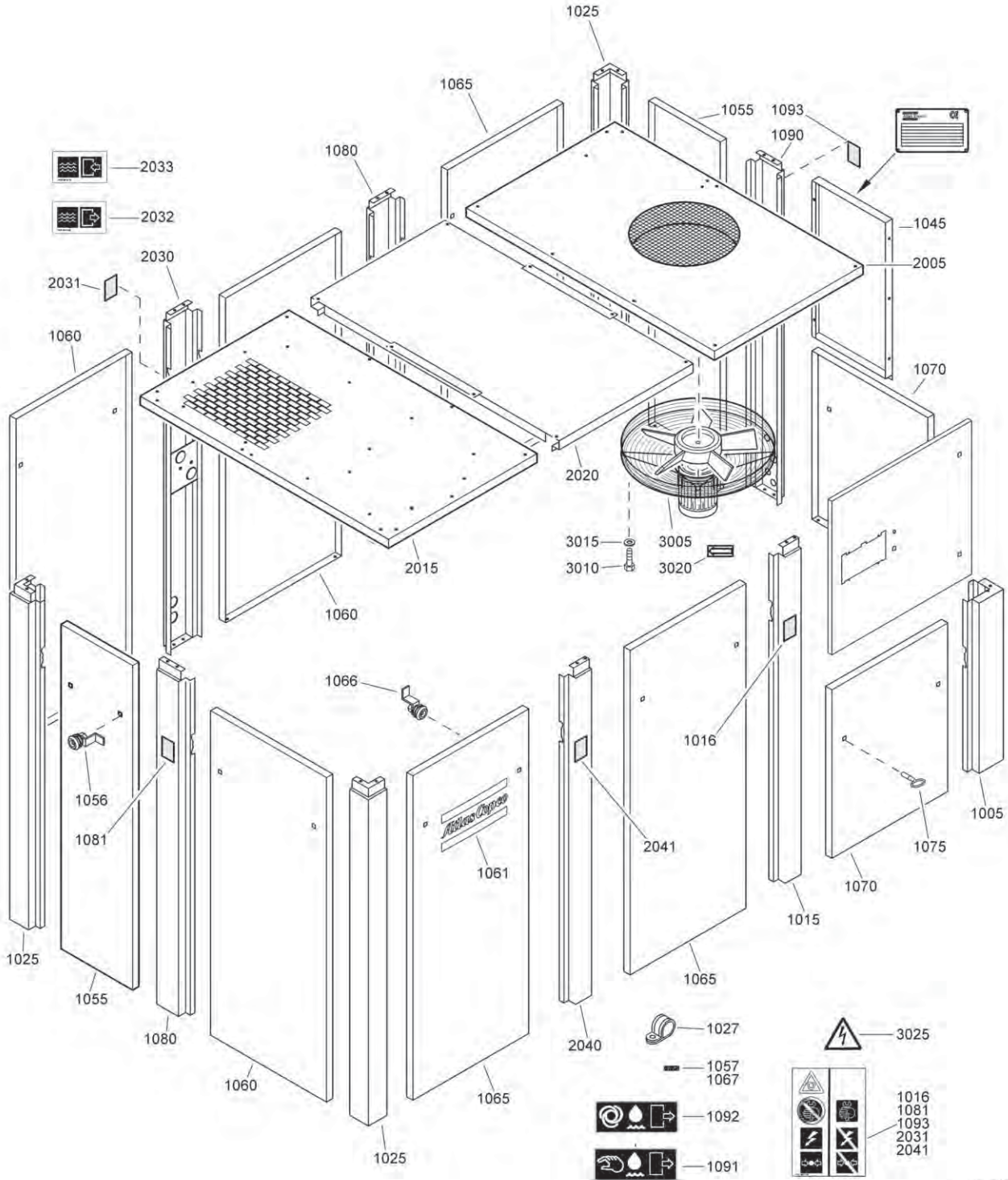
23



Bodywork - GA

Ref.	Part number	Qty	Name	Remarks	Ref.	Part number	Qty	Name	Remarks
1005	1614 9505 00	1	Stay	1)	1102	1088 0497 06	2	Gasket	6)
1015	1621 9086 00	1	Stay	1)	2020		1	Roof	1)
1016	1079 9901 09	1	Label			1614 9492 00			2)3)
1025	1614 9014 00	3	Stay	1)		1614 9493 00			4)5)6)
1027	1619 2861 01	1	Clamp		2030		1	Roof	1)
1045		1	Panel/Door	1)		1614 9433 00			2)3)
	1614 9019 00		Panel	2)3)4)5)		1614 9436 00			4)5)6)
	1614 9399 00		Door	6)	2035		1	Roof	1)
1055		1	Door	1)		1614 9434 00			2)3)
	1614 9161 00			2)3)		1614 9437 00			4)5)6)
	1614 9017 00			4)5)6)	2055		1	Baffle	1)
1057		1	Door	1)		1614 9415 00			4)5)6)
	1614 9929 00			3)	3020	<<< >>>	1	Air dryer	3)5)
	1614 9928 00			5)	3035	1621 9085 00	1	Duct plate	3)5)
	1614 9161 00			2)	3048	1503 1056 00	AR	Seal	3)5)
	1614 9017 00			4)6)	3050	1614 9927 00	1	Duct plate	3)5)
1058	2252 7237 00	2	Doorlock				AR	Bolt	
1059	1619 5188 00	AR	Seal			0147 1322 03		M8 x 16	
1060			Door	1)		0147 1323 03		M8 x 20	8.8
	1614 9017 00	2		2)3)5)6)		1619 2766 00		M8 x 20	
	1614 9017 00	3		4)		0147 1325 03		M8 x 25	
1061	0690 1140 01	1	House mark			1079 1472 06		M8 x 30	
1062	2252 7237 00	2	Doorlock			1619 5337 01		M8 x 30	
1063	1619 5188 00	AR	Seal			0147 1405 03		M12 x 50	
1065			Door	1)			AR	Washer	
	1614 9017 00	3		2)3)5)		0301 2335 00		Ø8.4 x 16 x 1.6	
	1614 9017 00	4		4)6)		0301 2358 00		Ø13 x 24 x 2.5	
1067		1	Door	1)					
	1614 9928 00			3)5)	1)	Lined with / Bekleed met / Beklädd med / Ausgekleidet mit / Garnir de / Rivestido de / Allineato con / Foret med / Revestido com / Kledd med / Vuorattu :			
	1614 9017 00			2)4)6)		Foam: 0395 6001 69 (AR) 50 x 2040 x 1650			
1070	1614 9615 00	1	Panel	1)	2)	GA90-110 Pack (Low voltage),			
1075	1089 9068 01	1	Key			GA90-110 Pack (No motor)			
1080	1614 8910 00	2	Stay	1)	3)	GA90-110 FF (Low voltage),			
1090		1	Stay	1)		GA90-110 FF (No motor)			
	1621 9087 00			2)3)	4)	GA132-160 Pack (Low voltage),			
	1621 9088 00			4)5)6)		GA132-160 Pack (No motor)			
1091	1079 9910 95	1	Label		5)	GA132-160 FF (Low voltage),			
1092	1079 9910 96	1	Label			GA132-160 FF (No motor)			
1093	1079 9901 09	1	Label		6)	GA132-160 Pack (Medium voltage)			
1100		1	Panel	1)					
	1614 9401 00			6)					
	1614 9615 00			2)3)4)5)					
1101	1088 0412 06	2	Flange	6)					

24

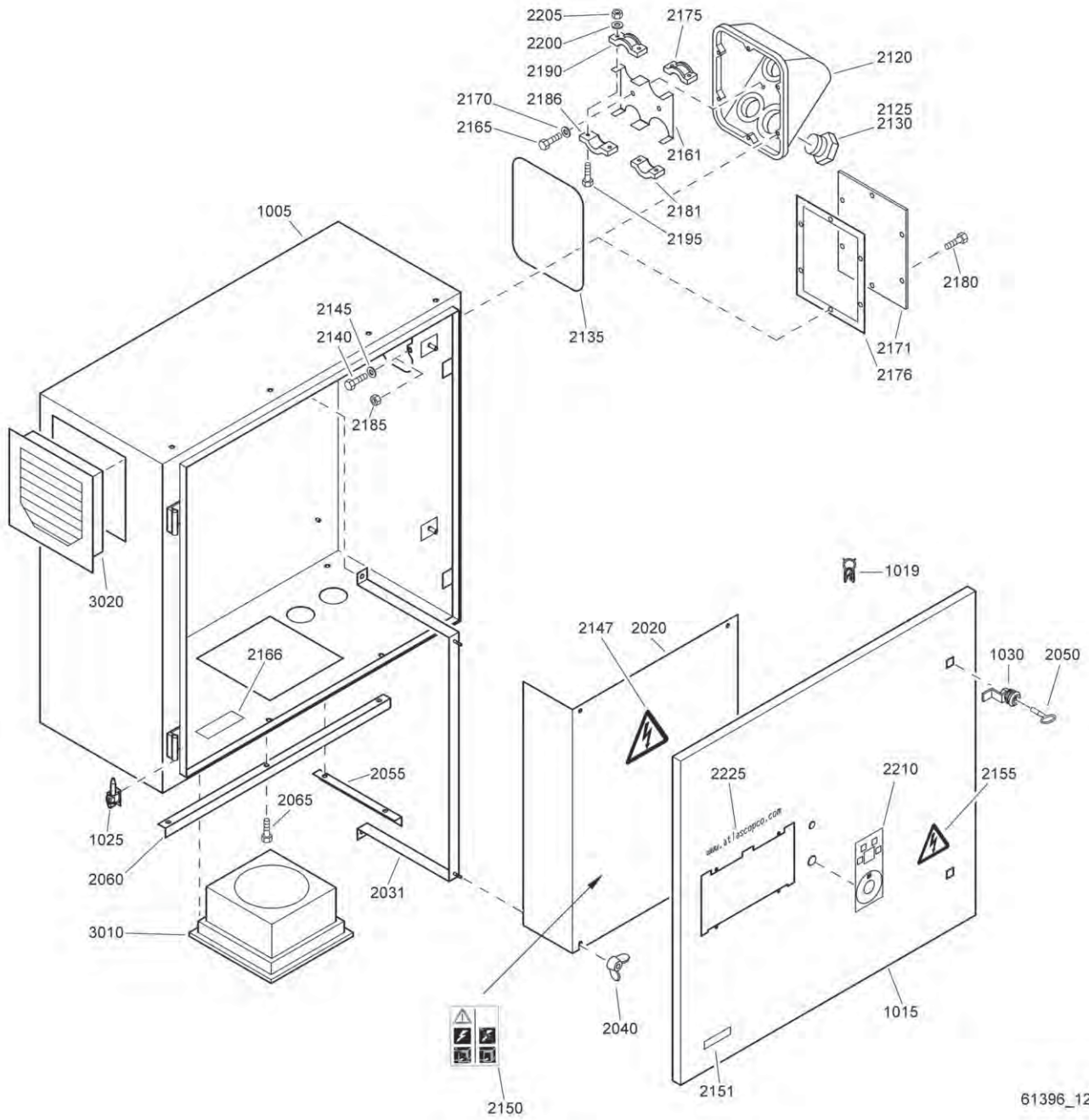


61239_10

Bodywork - GA W

Ref.	Part number	Qty	Name	Remarks	Ref.	Part number	Qty	Name	Remarks
1005	1614 9505 00	1	Stay	1)	2030	1614 9766 00	1	Stay	1)
1015	1621 9086 00	1	Stay	1)	2031	1079 9901 09	1	Label	
1016	1079 9901 09	1	Label		2032	1079 9913 69	1	Inform.label	
1025	1614 9014 00	3	Stay	1)	2033	1079 9913 79	1	Inform.label	
1027	1619 2861 01	1	Clamp		2040	1614 8910 00	1	Stay	1)
1045	1614 9019 00	1	Panel	1)	2041	1079 9901 09	1	Label	
1055		2	Door panel	1)	3005	1614 9608 01	1	Fan assembly	
	1614 9161 00		GA90W - 110W			1614 9608 02		230 D 400 Y 50Hz	
	1614 9017 00		GA132W - 160W			1614 9608 03		500 Y 50Hz	
1056	2252 7237 00	2	Doorlock			1614 9608 04		220 D 230 D 380 Y 60Hz	
1057	1619 5188 00	AR	Seal			1614 9608 05		440 Y 460 Y 60Hz	
1060	1614 9017 00	3	Door panel	1)				575 Y 60Hz	
1061	0690 1140 01	1	House mark		3010	0147 1250 03	3	Bolt	
1065	1614 9017 00	3	Door panel	1)	3015	0300 0274 35	3	Washer	
1066	2252 7237 00	2	Doorlock		3020	1503 0786 00	1	Rotation arrow	
1067	1619 5188 00	AR	Seal		3025	1088 1001 01	1	Warning mark	
1070	1614 9615 00	2	Panel	1)			AR	Bolt	
1075	1089 9068 01	1	Key			0147 1322 03		M8 x 16	
1080	1614 8910 00	2	Stay	1)		0147 1323 03		M8 x 20	8.8
1081	1079 9901 09	1	Label			1619 2766 00		M8 x 20	
1090		1	Stay	1)		0147 1325 03		M8 x 25	
	1621 9087 00		GA90W - 110W			1079 1472 06		M8 x 30	
	1621 9088 00		GA132W - 160W			1619 5337 01		M8 x 30	
1091	1079 9910 95	1	Label			0147 1405 03		M12 x 50	
1092	1079 9910 96	1	Label				AR	Washer	
1093	1079 9901 09	1	Label			0301 2335 00		Ø8.4 x 16 x 1.6	
2005		1	Roof	1)		0301 2358 00		Ø13 x 24 x 2.5	
	1614 9765 00		GA90W - 110W						
	1614 9764 00		GA132W - 160W		1)			Lined with / Bekleed met / Beklädd med / Ausgekleidet mit / Garnir de / Rivestido de / Allineato con / Foret med / Revestido com / Kledd med / Vuorattu : Foam: 0395 6001 69 (AR) 50 x 2040 x 1650	
2015		1	Roof	1)					
	1614 9660 00	1	GA90W - 110W						
	1614 9662 00	1	GA132W - 160W						
2020		1	Roof	1)					
	1614 9434 00		GA90W - 110W						
	1614 9437 00		GA132W - 160W						

25

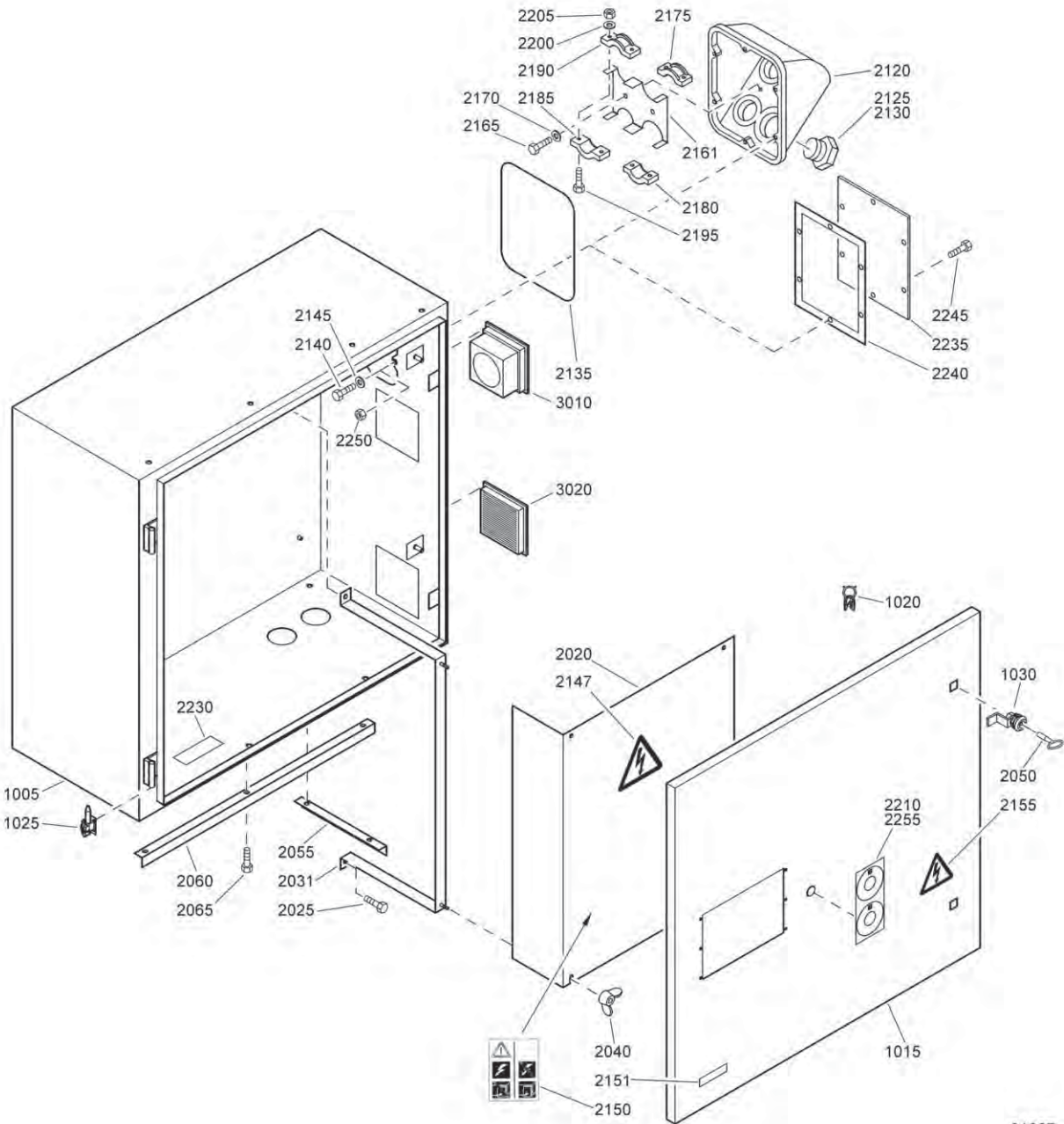


61396_12

Cubicle - 1)

Ref.	Part number	Qty	Name	Remarks	Ref.	Part number	Qty	Name	Remarks
	1614 9712 80	1	Cubicle		2171	1614 7146 00	1	Flange	(CSA/UL)
	1614 9430 80		HAT version		2175	1614 6562 00	2	Clamp	
	1614 9430 80		Others		2176	1614 7145 00	1	Gasket	(CSA/UL)
1005	• 1614 9712 00	• 1	Cubicle		2180	0147 1325 03	6	Bolt	(CSA/UL)
	1614 9430 00		HAT version		2181	1614 6563 00	2	Clamp	
1015	• 1614 9105 00	• 1	Door		2185	0266 2110 00	6	Nut	(CSA/UL)
1019	• 1202 6584 00	• AR	Seal		2186	1614 6565 00	2	Clamp	
1025	• 1614 9106 03	• 2	Pin		2190	1614 6564 00	2	Clamp	
1030	• 1619 7704 00	• 2	Lock		2195	0147 1250 03	8	Bolt	
2020	1614 8924 00	1	Screen		2200	0301 2321 00	8	Washer	
2031	1614 9108 00	1	Bracket		2205	0266 2108 00	8	Nut	
2040	0296 1108 02	4	Wing nut		2210	1614 8071 00	1	Label	
2050	1089 9154 02	1	Key		2225	1079 9920 56	1	Label	
2055	1614 9379 00	1	Bracket		3010		1	Fan	HAT version
2060	1614 9380 00	1	Bracket			1089 0598 01		230V/50-60Hz	
2065	1619 2766 00	5	Bolt			1089 0598 02		115V/50-60Hz	CSA/UL
2120	1614 6571 00	1	Cable box		3020	1089 0598 03	1	Filter	HAT version
2125	1088 0524 09	2	Plug						
2130	1088 0524 10	2	Plug		1)			Up to serial No. :	
2135	1614 6567 00	1	Seal					Tot serienummer:	
2140	0147 1322 03	6	Bolt					T.o.m. tillverkningsnummer:	
2145	0301 2335 00	6	Washer					Bis Seriennummer:	
2147	1088 1001 04	1	Warning mark					Jusqu'au numéro de série:	
2150	1079 9901 67	1	Label					Hasta el número de serie:	
2151	1613 3431 00	1	Label	(CSA/UL)				Fino al numeri di serie:	
2155	1088 1001 01	1	Warning mark					Gælder til følgende serienumre:	
2161	1614 6566 00	1	Plate					Até o número de série:	
2165	0147 1322 03	2	Bolt					Til følgende serienummer:	
2166	1613 5330 00	1	Listing mark	(CSA/UL)				Seuraavaan valmistusnumeroon asti, No.:	
2170	0301 2335 00	2	Washer					AIF-078 299	

26

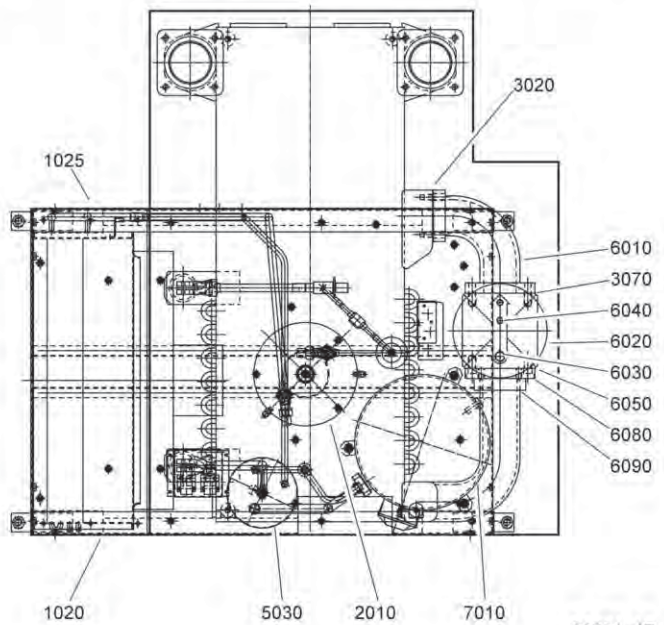
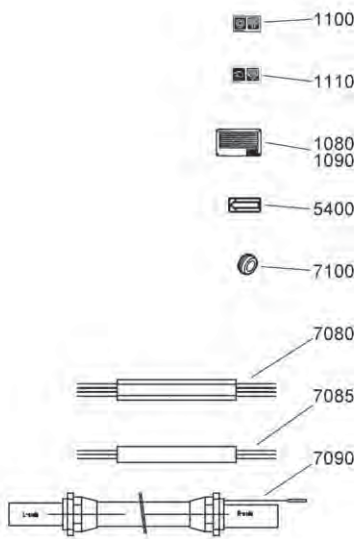
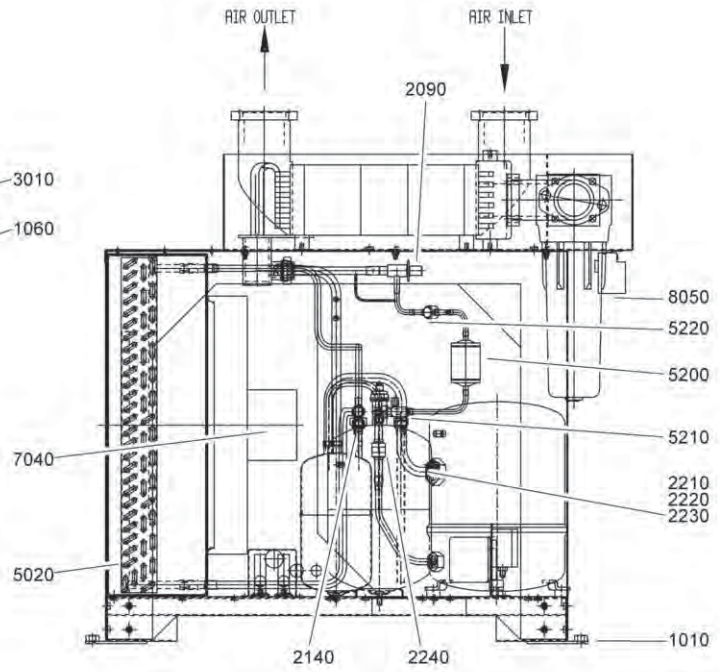
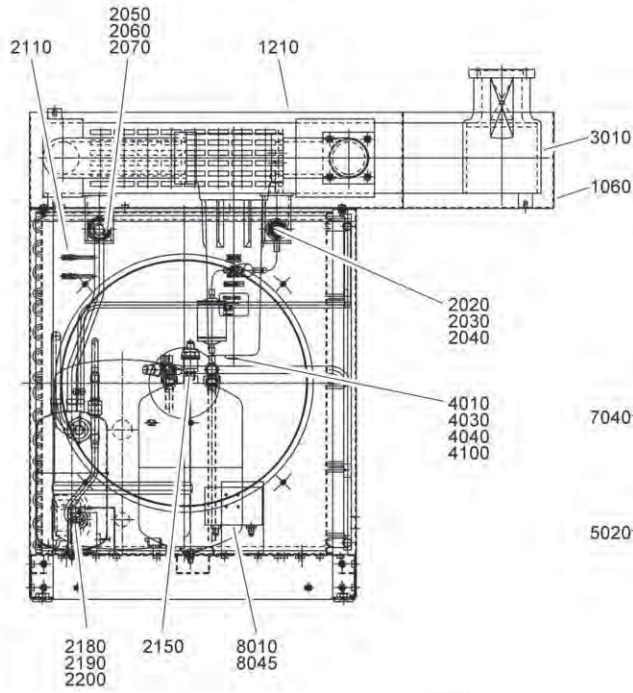


61807_12

Cubicle - 2)

Ref.	Part number	Qty	Name	Remarks	Ref.	Part number	Qty	Name	Remarks
	1621 4505 80	1	Cubicle		2175	1614 6562 00	2	Clamp	
	1621 4500 80		HAT version		2180	1614 6563 00	2	Clamp	
	1621 4500 80		Others		2185	1614 6565 00	2	Clamp	
1005		• 1	Cubicle		2190	1614 6564 00	2	Clamp	
	1621 4505 00		HAT version		2195	0147 1250 03	8	Bolt	
	1621 4500 00		Others		2200	0301 2321 00	8	Washer	
1015	1621 4600 00	• 1	Door		2205	0266 2108 00	8	Nut	
1020	1202 6584 00	• AR	Seal		2210	1621 0478 00	1	Label	
1025	1614 9106 03	• 2	Pin		2230	1613 5330 00	1	Listing mark	(CSA/UL)
1030	1619 7704 00	• 2	Lock		2235	1614 7146 00	1	Flange	(CSA/UL)
2020	1621 9285 00	1	Screen		2240	1614 7145 00	1	Gasket	(CSA/UL)
2025	1619 2766 00	2	Bolt		2245	0147 1325 03	6	Bolt	(CSA/UL)
2031	1614 9108 00	1	Bracket		2250	0266 2110 00	6	Nut	(CSA/UL)
2040	0296 1108 02	4	Wing nut		2255	1621 0478 00	1	Label	(CSA/UL)
2050	1089 9154 02	1	Key		3010		1	Fan	HAT version
2055	1614 9379 00	1	Bracket			1089 0598 01		230V/50-60Hz	
2060	1614 9380 00	1	Bracket			1089 0598 02		115V/50-60Hz	CSA/UL
2065	1619 2766 00	5	Bolt		3020	1089 0598 03	1	Filter	HAT version
2120	1614 6571 00	1	Cable box						
2125	1088 0524 09	2	Plug		2)			From following serial No. onwards:	
2130	1088 0524 10	2	Plug					Geldig vanaf volgend serienummer:	
2135	1614 6567 00	1	Seal					Fr.o.m. tillverkningsnummer:	
2140	0147 1322 03	6	Bolt					Gültig ab Seriennummer:	
2145	0301 2335 00	6	Washer					Valable à partir du numéro de série suivant:	
2147	1088 1001 04	1	Warning mark					A partir del siguiente número de serie:	
2150	1079 9901 67	1	Label					Dai seguenti numeri di serie in avanti:	
2151	1613 3431 00	1	Label	(CSA/UL)				Gælder fra følgende serienumre:	
2155	1088 1001 01	1	Warning mark					A partir do número de série:	
2161	1614 6566 00	1	Plate					Fra og med følgende serienummer:	
2165	0147 1322 03	2	Bolt					Alkaen valmistusnumerosta	
2170	0301 2335 00	2	Washer					AIF-078 300	

27



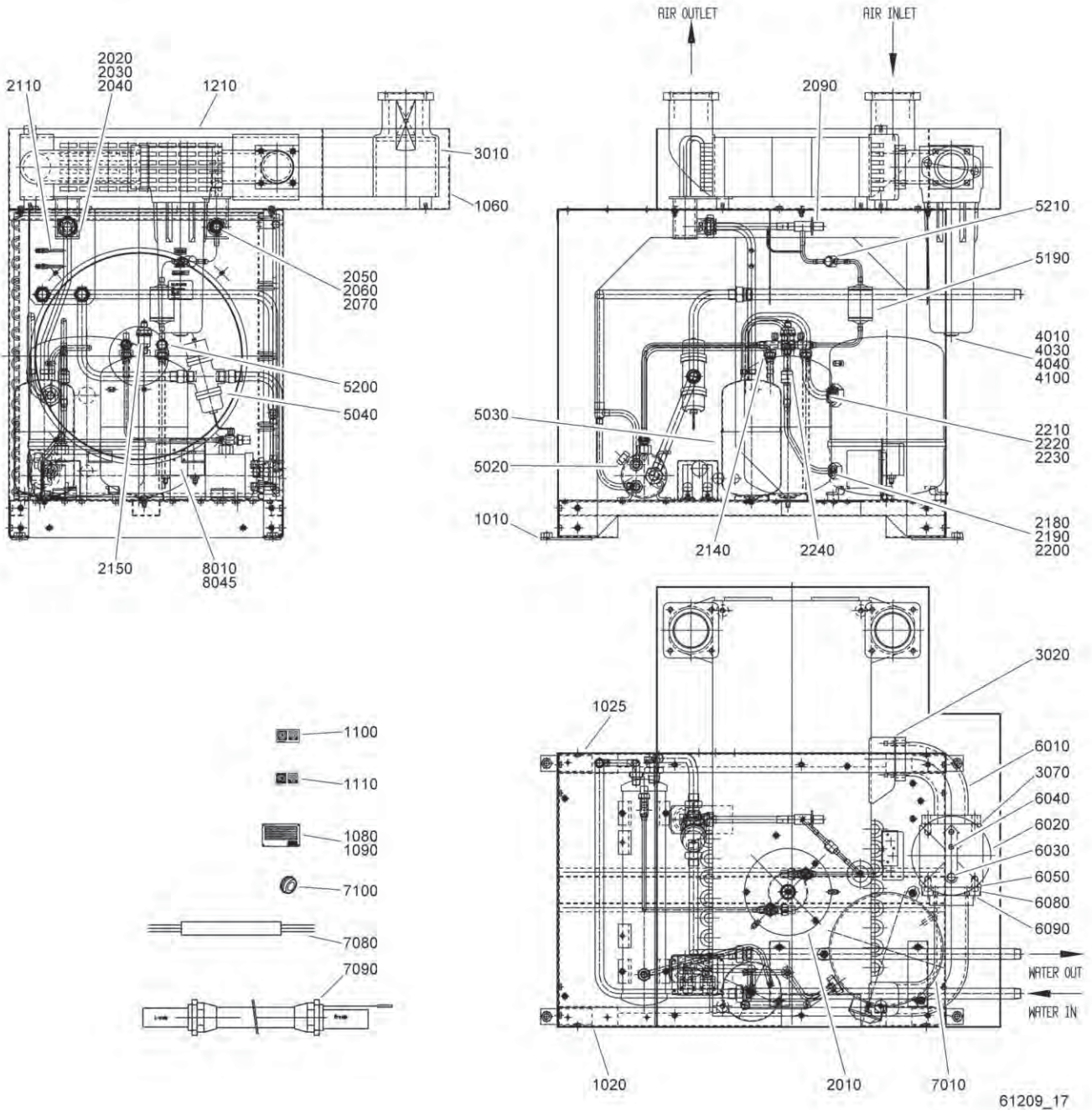
61201_17

Air dryer - GA90-110

Ref.	Part number	Qty	Name	Remarks	Ref.	Part number	Qty	Name	Remarks
	1617 2160 80	1	Air dryer		5400	1503 0786 00	• 1	Rotation arrow	
			GA90 220-230V/50Hz,		6010	1617 1246 00	• 1	Connector	
			GA110 220-230V/50Hz		6020	1619 7474 01	• 1	Waterseparator	
	1617 2160 81		GA90 380-415V/50Hz,			0663 6147 00	•• 1	O-ring	
			GA110 380-415V/50Hz		6030	0686 6132 00	• 2	Plug	
	1617 2160 82		GA90 500V/50Hz,		6040	0686 6128 00	• 1	Plug	
			GA110 500V/50Hz		6050	0663 3143 00	• 2	O-ring	
	1617 2160 85		GA90 220-230V/60Hz,		6080	1617 2049 00	• 1	Flange	
			GA110 220-230V/60Hz		6090	0215 0003 21	• 4	Cap screw	
	1617 2160 86		GA90 440-460V/60Hz,		7010		• 1	Refrigerant compressor	
			GA110 440-460V/60Hz			1614 7168 13		GA90 380-415V/50Hz,	
	1617 2160 87		GA90 380V/60Hz,					GA110 380-415V/50Hz,	
			GA110 380V/60Hz					GA90 440-460V/60Hz,	
	1617 2160 88		GA90 575V/60Hz,					GA110 440-460V/60Hz	
			GA110 575V/60Hz			1614 7168 14		GA90 220-230V/50Hz,	
1010	1617 2126 00	• 1	Frame			1614 7168 16		GA110 220-230V/50Hz	
1020	1617 2124 00	• 1	Support front					GA90 220-230V/60Hz,	
1025	1617 2537 00	• 1	Support rear 1)			1614 7168 18		GA110 220-230V/60Hz	
1060	1603 2123 80	• 1	Box ass'y					GA90 380V/60Hz,	
	1617 2123 00	•• 1	Box heat exchanger					GA110 380V/60Hz	
	1617 2096 00	•• 1	Insulation bottom			1614 7168 20		GA90 500V/50Hz,	
	1617 2097 00	•• 1	Insulation top					GA110 500V/50Hz,	
1080	1617 0745 00	• 1	Data plate					GA90 575V/60Hz,	
1090	0129 3103 00	• 4	Blind rivet					GA110 575V/60Hz	
1100	1079 9915 89	• 1	Label		7040		• 1	Fan ass'y	
1110	1079 9915 98	• 1	Label			1617 1183 82		GA90 500V/50Hz,	
1210	1617 2630 00	• 1	Cover					GA110 500V/50Hz,	
2010	1617 2056 00	• 1	Liquid receiver					GA90 575V/60Hz,	
2020	1617 0477 00	• 1	Sleeve					GA110 575V/60Hz	
2030	1617 0476 00	• 1	Nut			1617 1183 81		Others	
2040	1617 0320 00	• 1	Ring				•• 1	Fan motor	
2050	1617 0386 00	• 1	Sleeve			1617 2383 00		GA90 500V/50Hz,	
2060	1617 0314 00	• 1	Nut					GA110 500V/50Hz,	
2070	1617 0315 00	• 1	Ring					GA90 575V/60Hz,	
2090	1619 6768 17	• 1	Expansion valve					GA110 575V/60Hz	
2110	1619 5563 06	• 2	Non return valve			1617 2382 00		Others	
2140	1617 2098 00	• 1	Valve			1617 0526 00	•• 1	Fan	
2150	1617 2248 00	• 1	Safety valve			1617 0364 00	•• 1	Grating	
2180	1617 0314 00	• 1	Nut			1617 0136 00	•• 1	Adapter	
2190	1617 0474 00	• 1	Sleeve		7080		• 1	Cable (compressor)	
2200	1617 0315 00	• 1	Ring			1617 2172 01		60Hz	CSA/UL
2210	1617 0476 00	• 1	Nut			1617 2172 03		50Hz	
2220	1617 0477 00	• 1	Sleeve		7085		• 1	Cable (fanmotor)	
2230	1617 0320 00	• 1	Ring			1617 2172 02		60Hz	CSA/UL
2240	1617 2384 00	• 1	Non return valve			1617 2172 04		50Hz	
3010	1617 2044 00	• 1	Heat exchanger		7090		• 1	Wiring (regulating)	
3020	0650 0100 09	• 1	Gasket			1617 2173 00		60Hz	CSA/UL
3070	0663 2107 46	• 1	O-ring			1617 2312 00		50Hz	
4010	0653 1062 00	• 2	Flat gasket		7100	0698 0154 00	• 2	Grommet	
4030	0581 0000 35	• 2	Straight coupling		8010	1089 9214 10	• 1	Pressure switch	
4040	0070 6002 05	• AR	Plastic tube		8045	1617 2618 00	• 2	Capillar connection	
4100	0070 6002 13	• AR	Plastic tube		8050	1089 9214 33	• 1	Pressure switch	
5020	1617 2050 00	• 1	Condensor						
5030	1617 0708 00	• 1	Liquid separator						
5200	1617 1495 01	• 1	Filter drier						
5210	1617 0123 00	• 1	Stop valve						
5220	1619 5567 02	• 1	Sight glass						

1) Lined with / Bekleed met / Beklädd med / Ausgekleidet mit / Garnir de / Rivestido de / Allineato con / Foret med / Revestido com / Kledd med / Vuorattu :
Foam: 0395 6001 69 (AR) 50 x 2040 x 1650

28



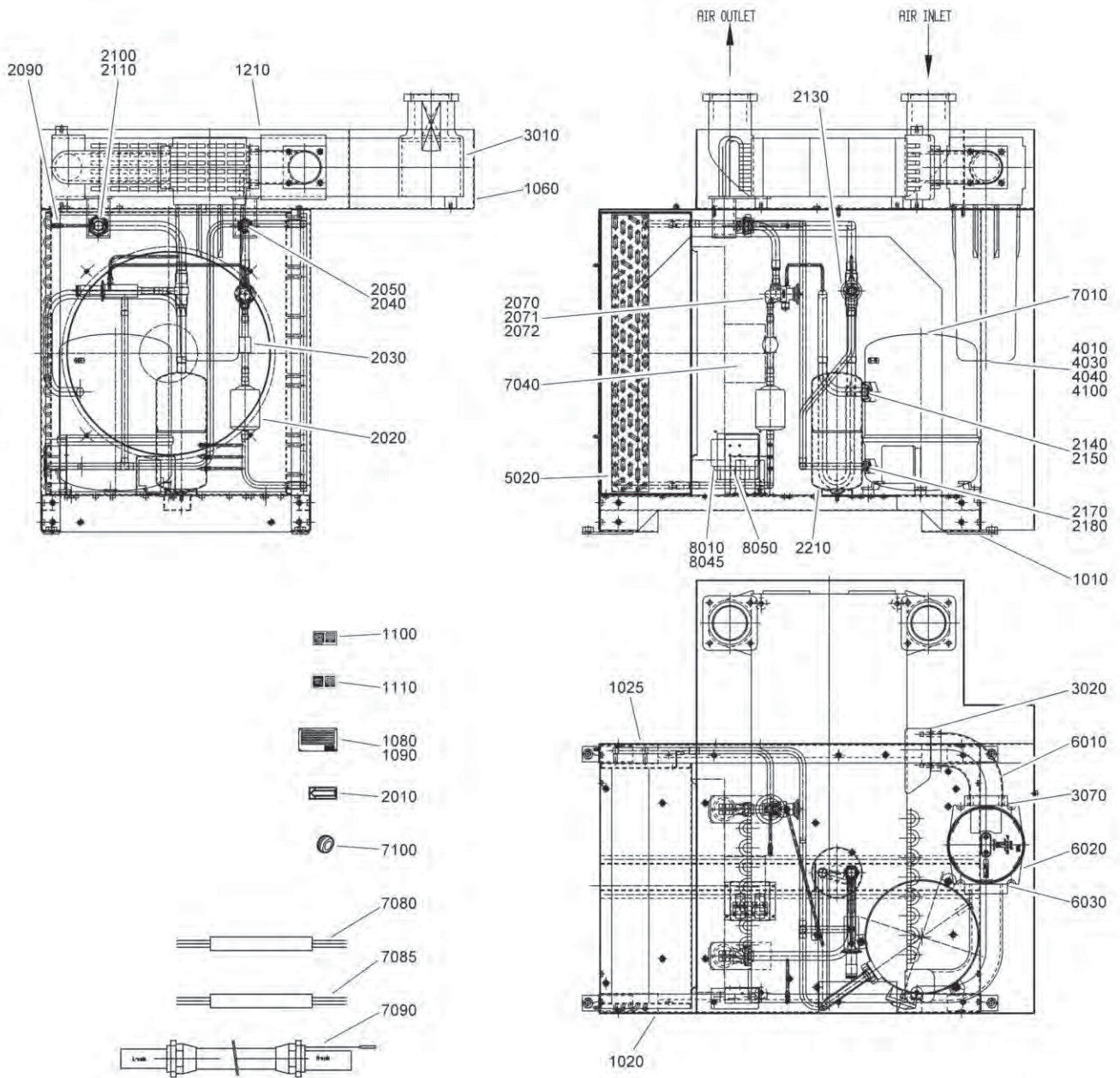
61209_17

Air dryer - GA 90 W-110 W

Ref.	Part number	Qty	Name	Remarks	Ref.	Part number	Qty	Name	Remarks
	1617 2161 80	1	Air dryer		4010	0653 1062 00	• 2	Flat gasket	
			GA90 W 220-230V/50Hz,		4030	0581 0000 35	• 2	Straight coupling	
	1617 2161 81		GA110 W 220-230V/50Hz		4040	0070 6002 05	• AR	Plastic tube	
			GA90 W 380-415V/50Hz,		4100	0070 6002 13	• AR	Plastic tube	
	1617 2161 82		GA110 W 380-415V/50Hz		5020	1617 2395 01	• 1	Tube condensor	
			GA90 W 500V/50Hz,		5030	1617 0708 00	• 1	Liquid separator	
	1617 2161 85		GA110 W 500V/50Hz		5040	1617 2002 03	• 1	Regulating valve	
			GA90 W 220-230V/60Hz,		5190	1617 1495 01	• 1	Filter drier	
	1617 2161 86		GA110 W 220-230V/60Hz		5200	1617 0123 00	• 1	Stop valve	
			GA90 W 440-460V/60Hz,		5210	1619 5567 02	• 1	Sight glass	
	1617 2161 87		GA110 W 440-460V/60Hz		6010	1617 1246 00	• 1	Connector	
			GA90 W 380V/60Hz,		6020	1619 7474 01	• 1	Waterseparator	
	1617 2161 88		GA110 W 380V/60Hz			0663 6147 00	•• 1	O-ring	
			GA90 W 575V/60Hz,		6030	0686 6132 00	• 2	Plug	
			GA110 W 575V/60Hz		6040	0686 6128 00	• 1	Plug	
1010	1617 2126 00	• 1	Frame		6050	0663 3143 00	• 2	O-ring	
1020	1617 2124 00	• 1	Support front		6080	1617 2049 00	• 1	Flange	
1025	1617 2537 00	• 1	Support rear 1)		6090	0215 0003 21	• 4	Cap srew	
1060	1603 2123 80	• 1	Box ass'y		7010		• 1	Refrigerant compressor	
	1617 2123 00	•• 1	Box heat exchanger			1614 7168 13		GA90 W 380-415V/50Hz,	
	1617 2096 00	•• 1	Insulation bottom					GA110 W 380-415V/50Hz,	
	1617 2097 00	•• 1	Insulation top					GA90 W 440-460V/60Hz,	
1080	1617 0745 00	• 1	Data plate			1614 7168 14		GA110 W 440-460V/60Hz	
1090	0129 3103 00	• 4	Blind rivet			1614 7168 16		GA90 W 220-230V/50Hz,	
1100	1079 9915 89	• 1	Label					GA110 W 220-230V/50Hz,	
1110	1079 9915 98	• 1	Label			1614 7168 18		GA90 W 220-230V/60Hz,	
1210	1617 2630 00	• 1	Cover					GA110 W 220-230V/50Hz	
2010	1617 2056 00	• 1	Liquid receiver			1614 7168 20		GA90 W 380V/60Hz,	
2020	1617 0477 00	• 1	Sleeve					GA110 W 380V/60Hz	
2030	1617 0476 00	• 1	Nut					GA90 W 500V/50Hz,	
2040	1617 0320 00	• 1	Ring					GA110 W 500V/50Hz,	
2050	1617 0386 00	• 1	Sleeve					GA90 W 575V/60Hz,	
2060	1617 0314 00	• 1	Nut					GA110 W 575V/60Hz	
2070	1617 0315 00	• 1	Ring		7080		• 1	Cable (compressor)	
2090	1619 6768 17	• 1	Expansion valve			1617 2172 01		60Hz CSA/UL	
2110	1619 5563 06	• 2	Non return valve			1617 2172 03		50Hz	
2140	1617 2098 00	• 1	Valve		7090		• 1	Wiring (regulating)	
2150	1617 2248 00	• 1	Safety valve			1617 2173 00		60Hz CSA/UL	
2180	1617 0314 00	• 1	Nut			1617 2312 00		50Hz	
2190	1617 0474 00	• 1	Sleeve		7100	0698 0154 00	• 2	Grommet	
2200	1617 0315 00	• 1	Ring		8010	1089 9214 10	• 1	Pressure switch	
2210	1617 0476 00	• 1	Nut		8045	1617 2618 00	• 2	Capillar connection	
2220	1617 0477 00	• 1	Sleeve						
2230	1617 0320 00	• 1	Ring						
2240	1617 2384 00	• 1	Non return valve						
3010	1617 2044 00	• 1	Heat exchanger						
3020	0650 0100 09	• 1	Gasket						
3070	0663 2107 46	• 1	O-ring						

1) Lined with / Bekleed met / Beklädd med / Ausgekleidet mit / Garnir de / Rivestido de / Allineato con / Foret med / Revestido com / Kledd med / Vuorattu :
Foam: 0395 6001 69 (AR) 50 x 2040 x 1650

29



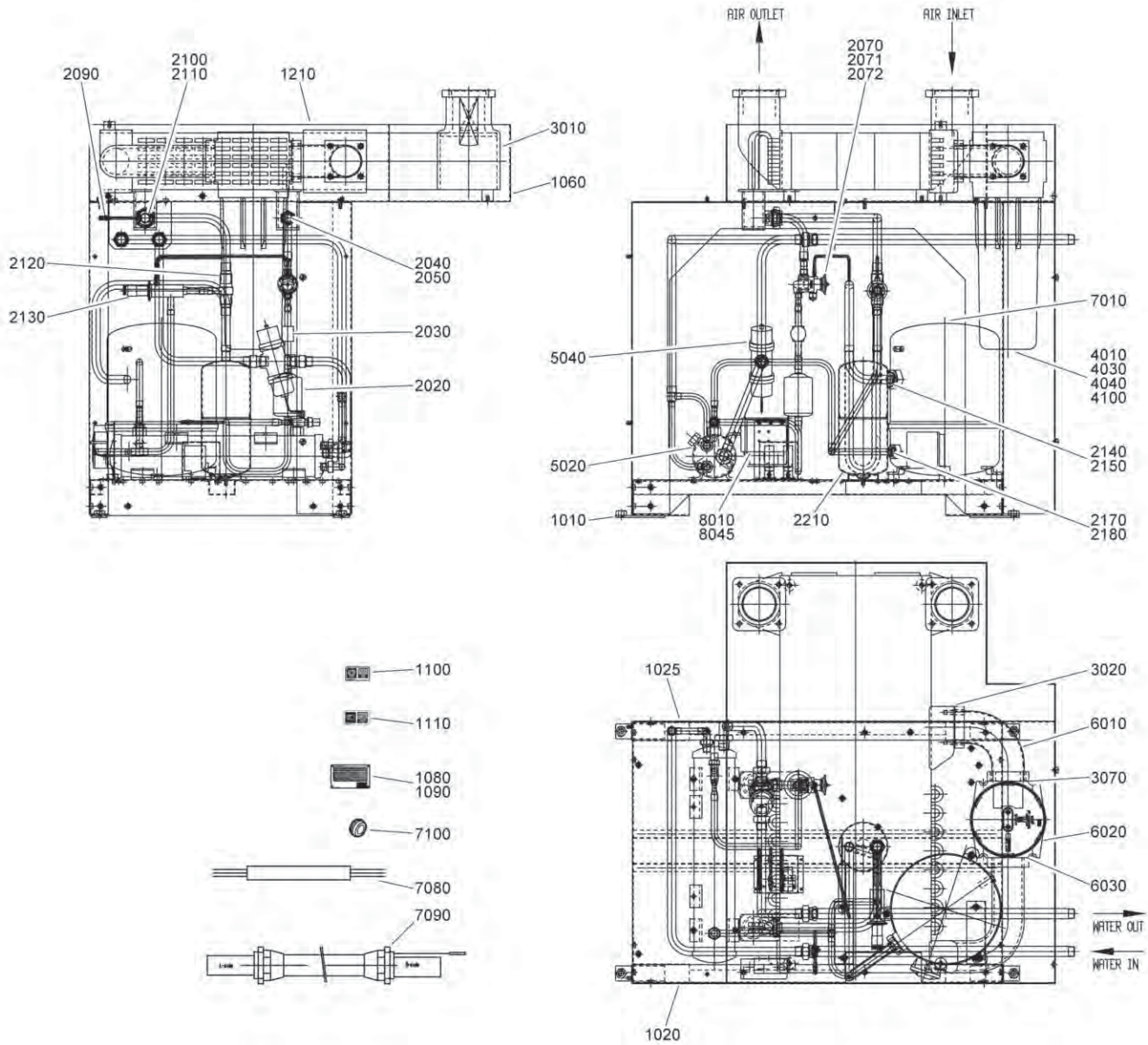
61202_17

Air dryer - GA132-160

Ref.	Part number	Qty	Name	Remarks	Ref.	Part number	Qty	Name	Remarks
	1617 2535 80	1	Air dryer		4100	0070 6002 13	• AR	Plastic tube	
			GA132 220-230V/50Hz,		5020	1617 2051 00	• 1	Condensor	
			GA160 220-230V/50Hz		6010	1617 1247 00	• 1	Connector	
	1617 2535 81		GA132 380-415V/50Hz,		6020	1613 6728 00	• 1	Waterseparator	
			GA160 380-415V/50Hz		6030	0663 2107 46	• 2	O-ring	
	1617 2535 82		GA132 500V/50Hz,		7010		• 1	Refrigerant compressor	
			GA160 500V/50Hz			1619 7674 18		GA132 220-230V/50Hz,	
	1617 2535 86		GA160 440-460V/60Hz			1619 7674 19		GA160 220-230V/50Hz,	
	1617 2535 87		GA160 380V/60Hz					GA132 380-415V/50Hz,	
	1617 2535 88		GA160 575V/60Hz					GA160 380-415V/50Hz,	
1010	1617 2126 00	• 1	Frame					GA160 440-460V/60Hz	
1020	1617 2124 00	• 1	Support front			1619 7674 21		GA160 380V/60Hz	
1025	1617 2537 00	• 1	Support rear 1)			1619 7674 22		GA132 500V/50Hz,	
1060	1603 2123 80	• 1	Box ass'y		7040		• 1	Fan ass'y	
	1617 2123 00	•• 1	Box heat exchanger			1617 1183 82		GA132 500V/50Hz,	
	1617 2096 00	•• 1	Insulation bottom					GA160 500V/50Hz,	
	1617 2097 00	•• 1	Insulation top					GA160 575V/60Hz	
1080	1617 0745 00	• 1	Data plate			1617 1183 81	•• 1	Others	
1090	0129 3103 00	• 4	Blind rivet					Fan motor	
1100	1079 9915 89	• 1	Label			1617 2383 00		GA132 500V/50Hz,	
1110	1079 9915 98	• 1	Label					GA160 500V/50Hz,	
1210	1617 2630 00	• 1	Cover					GA160 575V/60Hz	
2010	1503 0786 00	• 1	Rotation arrow			1617 2382 00		Others	
2020	1619 5566 04	• 1	Freon dryer			1617 0526 00	•• 1	Fan	
2030	1619 5567 04	• 1	Sight glass			1617 0364 00	•• 1	Grating	
2040	1617 0314 00	• 1	Nut			1617 0136 00	•• 1	Adapter	
2050	1617 0107 00	• 1	Sleeve		7080		• 1	Cable (compressor)	
2070	1617 2231 01	• 1	Thermostatic valve (bulb)			1617 2172 01		60Hz	CSA/UL
2071	1617 2232 01	• 1	Thermostatic valve (orifice)			1617 2172 03		50Hz	
2072	1617 2233 01	• 1	Thermostatic valve (body)		7085		• 1	Cable (fanmotor)	
2090	1619 5563 05	• 2	Non return valve			1617 2172 02		60Hz	CSA/UL
2100	1617 0488 00	• 1	Sleeve			1617 2172 04		50Hz	
2110	1617 0476 00	• 1	Nut		7090		• 1	Wiring (regulating)	
2130	1617 2528 01	• 1	Capacitor			1617 2173 00		60Hz	CSA/UL
2140	1617 0476 00	• 1	Nut			1617 2312 00		50Hz	
2150	1617 0488 00	• 1	Sleeve		7100	0698 0154 00	• 2	Grommet	
2170	1617 0386 00	• 1	Sleeve		8010	1089 9214 10	• 1	Pressure switch	
2180	1617 0314 00	• 1	Nut		8045	1617 2618 00	• 2	Capillar connection	
2210	1617 2529 00	• 1	Liquid separator		8050	1089 9214 33	• 1	Pressure switch	
3010	1617 2044 00	• 1	Heat exchanger						
3020	0650 0100 09	• 1	Gasket						
3070	0663 2107 46	• 1	O-ring						
4010	0653 1062 00	• 2	Flat gasket						
4030	0581 0000 35	• 2	Straight coupling						
4040	0070 6002 05	• AR	Plastic tube						

1) Lined with / Bekleed met / Beklädd med / Ausgekleidet mit / Garnir de / Rivestido de / Allineato con / Foret med / Revestido com / Kledd med / Vuorattu :
Foam: 0395 6001 69 (AR) 50 x 2040 x 1650

30



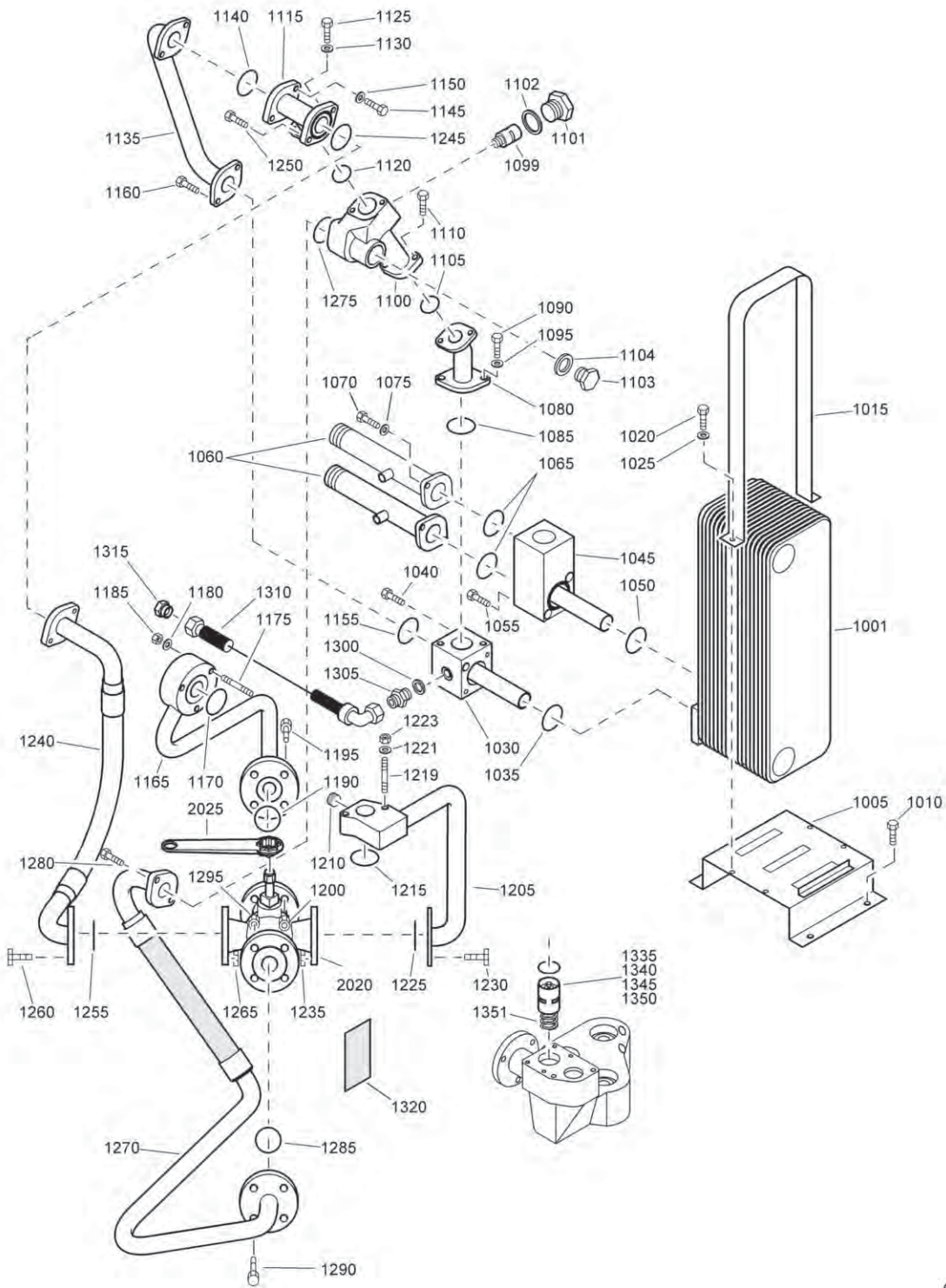
61210_17

Air dryer - GA 132 W-160 W

Ref.	Part number	Qty	Name	Remarks	Ref.	Part number	Qty	Name	Remarks
	1617 2536 80	1	Air dryer		2170	1617 0386 00	• 1	Sleeve	
			GA132 W 220-230V/50Hz,		2180	1617 0314 00	• 1	Nut	
	1617 2536 81		GA160 W 220-230V/50Hz		2210	1617 2529 00	• 1	Liquid separator	
			GA132 W 380-415V/50Hz,		3010	1617 2044 00	• 1	Heat exchanger	
	1617 2536 82		GA160 W 380-415V/50Hz		3020	0650 0100 09	• 1	Gasket	
			GA132 W 500V/50Hz,		3070	0663 2107 46	• 1	O-ring	
	1617 2536 86		GA160 W 500V/50Hz		4010	0653 1062 00	• 2	Flat gasket	
	1617 2536 87		GA160 W 440-460V/60Hz		4030	0581 0000 35	• 2	Straight coupling	
	1617 2536 88		GA160 W 380V/60Hz		4040	0070 6002 05	• AR	Plastic tube	
			GA160 W 575V/60Hz		4100	0070 6002 13	• AR	Plastic tube	
1010	1617 2126 00	• 1	Frame		5020	1617 2395 01	• 1	Tube condensor	
1020	1617 2124 00	• 1	Support front		5040	1617 2617 01	• 1	Regulating valve	
1025	1617 2537 00	• 1	Support rear 1)		6010	1617 1247 00	• 1	Connector	
1060	1603 2123 80	• 1	Box ass'y		6020	1613 6728 00	• 1	Waterseparator	
	1617 2123 00	•• 1	Box heat exchanger		6030	0663 2107 46	• 2	O-ring	
	1617 2096 00	•• 1	Insulation bottom		7010		• 1	Refrigerant compressor	
	1617 2097 00	•• 1	Insulation top			1619 7674 18		GA132 W 220-230V/50Hz,	
1080	1617 0745 00	• 1	Data plate			1619 7674 19		GA160 W 220-230V/50Hz	
1090	0129 3103 00	• 4	Blind rivet					GA132 W 380-415V/50Hz,	
1100	1079 9915 89	• 1	Label					GA160 W 380-415V/50Hz,	
1110	1079 9915 98	• 1	Label					GA160 W 440-460V/60Hz	
1210	1617 2630 00	• 1	Cover			1619 7674 21		GA160 W 380V/60Hz	
2020	1619 5566 04	• 1	Freon dryer			1619 7674 22		GA132 W 500V/50Hz,	
2030	1619 5567 04	• 1	Sight glass					GA160 W 500V/50Hz,	
2040	1617 0314 00	• 1	Nut					GA160 W 575V/60Hz	
2050	1617 0107 00	• 1	Sleeve		7080		• 1	Cable (compressor)	
2070	1617 2231 01	• 1	Thermostatic valve (bulb)			1617 2172 01		60Hz	CSA/UL
			Thermostatic valve (orifice)			1617 2172 03		50Hz	
2071	1617 2232 01	• 1	Thermostatic valve (body)		7090		• 1	Wiring (regulating)	
			Thermostatic valve (body)			1617 2173 00		60Hz	CSA/UL
2090	1619 5563 02	• 4	Schraderventiel			1617 2312 00		50Hz	
2100	1617 0488 00	• 1	Sleeve		7100	0698 0154 00	• 2	Grommet	
2110	1617 0476 00	• 1	Nut		8010	1089 9214 10	• 1	Pressure switch	
2120	1617 2527 02	• 1	Liquid gas mixer		8045	1617 2618 00	• 2	Capillar connection	
2130	1617 2528 02	• 1	Capacitor						
2140	1617 0476 00	• 1	Nut						
2150	1617 0488 00	• 1	Sleeve						

1) Lined with / Bekleed met / Beklädd med / Ausgekleidet mit / Garnir de / Rivestido de / Allineato con / Foret med / Revestido com / Kledd med / Vuorattu :
Foam: 0395 6001 69 (AR) 50 x 2040 x 1650

31

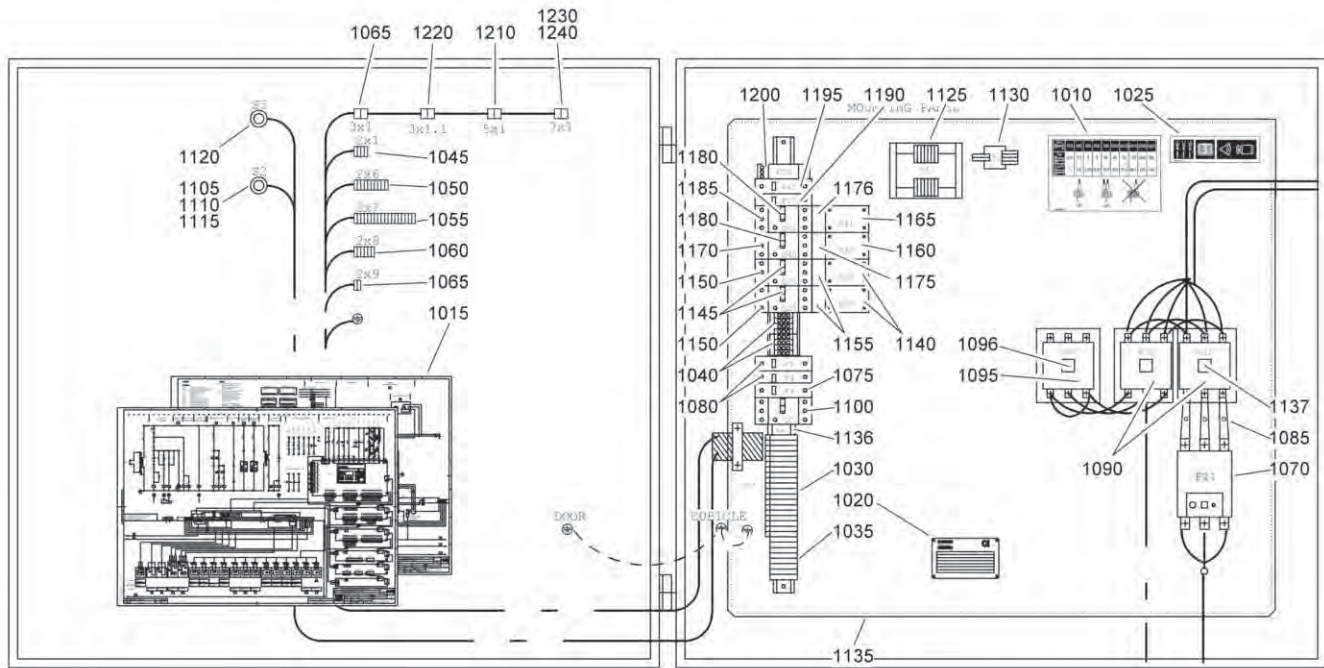


61263_15

Energy recovery system - Optional

Ref.	Part number	Qty	Name	Remarks	Ref.	Part number	Qty	Name	Remarks
1001	1614 9407 00	1	Heat exchanger		1180	0301 2344 00	3	Washer	
1005	1614 9408 00	1	Support		1185	0266 2111 00	3	Nut	
1010	0147 1362 03	4	Bolt		1190	0663 2107 77	1	O-ring	
1015	1614 9409 00	2	Bracket		1195	0147 1479 03	4	Bolt	
1020	0147 1328 03	4	Bolt		1200	0266 2114 00	4	Nut	
1025	0301 2335 00	4	Washer		1205	1614 9419 00	1	Pipe	
1030	1614 9410 00	1	Connect.block		1210	0686 3115 52	1	Plug	
1035	0663 2107 77	1	O-ring		1215	0663 2109 68	1	O-ring	
1040	0211 1375 00	2	Cap screw		1219	0246 1956 36	2	Stud	
1045	1614 8821 00	1	Connection pipe		1221	0301 2344 00	2	Washer	
1050	0663 2107 77	1	O-ring		1223	0266 2111 00	2	Nut	
1055	0211 1375 00	2	Cap screw		1225	0663 2107 77	1	O-ring	
1060	1614 9411 00	2	Pipe		1230	0147 1479 03	4	Bolt	
1065	0663 2107 77	2	O-ring		1235	0266 2114 00	4	Nut	
1070	0147 1362 03	4	Bolt		1240	1614 9420 00	1	Hose assembly	
1075	0301 2344 00	4	Washer		1245	0663 2106 11	1	O-ring	
1080	1614 9413 00	1	Pipe		1250	0147 1362 03	2	Bolt	
1085	0663 2108 00	1	O-ring		1255	0663 2107 77	1	O-ring	
1090	0147 1400 03	2	Bolt		1260	0147 1479 03	4	Bolt	
1095	0301 2358 00	2	Washer		1265	0266 2114 00	4	Nut	
1099	1619 7560 00	1	Thermost.valve		1270	1614 9421 00	1	Hose assembly	
1100	1614 6028 00	1	Therm.valve housing		1275	0663 2108 00	1	O-ring	
1101	0686 3716 29	1	Plug		1280	0147 1362 03	2	Bolt	
1102	0661 1000 33	1	Seal washer		1285	0663 2107 77	1	O-ring	
1103	0686 3716 07	1	Plug		1290	0147 1479 03	4	Bolt	
1104	0661 1000 30	1	Seal washer		1295	0266 2114 00	4	Nut	
1105	0663 2108 00	1	O-ring		1300	0653 1124 00	1	Flat gasket	
1110	0147 1402 03	2	Bolt		1305	1079 5840 15	1	Nipple	
1115	1614 7152 00	1	Tee		1310	0574 8235 07	1	Hose assembly	
1120	0663 2106 11	1	O-ring		1315	1614 9252 00	1	Plug	
1125	0147 1363 03	2	Bolt		1320	1079 9906 57	1	Instruct.label	
1130	0301 2344 00	2	Washer		1335	1202 5869 01	1	Thermost.valve 70°C - 85°C	
1135	1614 9414 00	1	Pipe		1340	1202 5869 02	1	Thermost.valve 60°C - 75°C	
1140	0663 2106 11	1	O-ring		1345	1202 5869 03	1	Thermost.valve 65°C - 80°C	
1145	0147 1362 03	2	Bolt		1350	1202 5869 04	1	Thermost.valve 75°C - 90°C	
1150	0301 2344 00	2	Washer		1351	1202 5868 00 •	1	Spring	
1155	0663 2107 77	1	O-ring			1614 6900 82	1	4-way valve	
1160	0147 1362 03	2	Bolt		2020	1614 6900 00 •	1	4-way valve	
1165	1614 9417 00	1	Pipe		2025	1614 6904 00 •	1	Wrench	
1170	0663 2107 77	1	O-ring						
1175	0246 1956 36	3	Stud						

32 Start cubicle - star/delta - Control Voltage 230/24V - Full options - 1)-21)



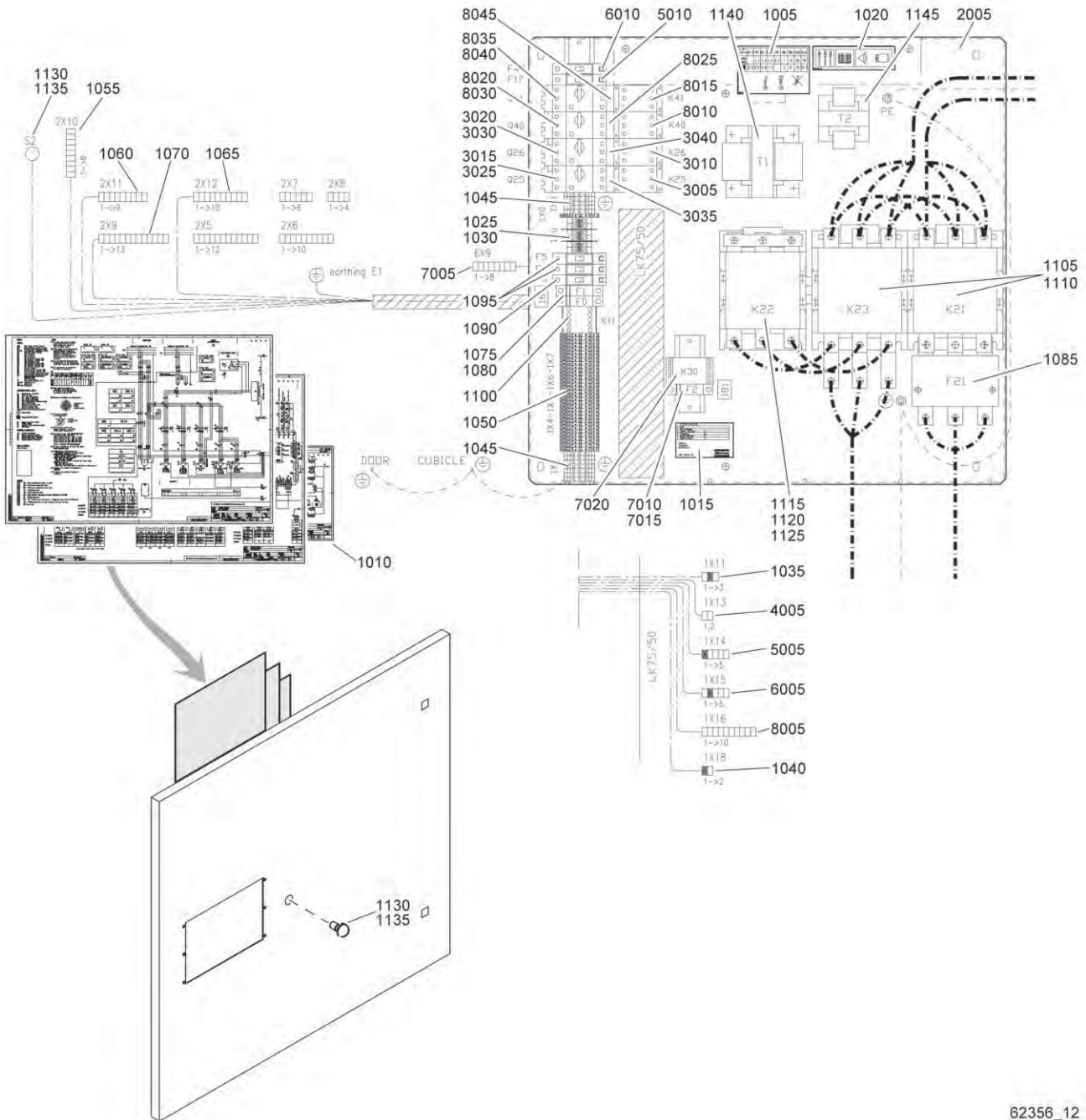
61397_12

61397_12

Ref.	Part number	Qty	Name	Remarks	Ref.	Part number	Qty	Name	Remarks
		1	Control panel		1020	1613 6639 00	• 1	Data plate	
1900 3100 51			GA90 230V/50Hz		1025	1079 9901 68	• 1	Label	
1900 3100 12			GA110 230V/50Hz		1030	1089 9398 11	• 36	Terminal	
1900 3100 13			GA132 230V/50Hz		1035	1089 0506 27	• 10	Terminal	
1900 3100 14			GA160 230V/50Hz		1040	1089 0506 06	• 6	Terminal	
1900 3100 25			GA90 400V/50Hz		1045	1088 0024 04	• 1	Connector	
1900 3100 26			GA110 400V/50Hz		1050	1088 0024 10	• 1	Connector	
1900 3100 17			GA132 400V/50Hz		1055	1088 0024 18	• 1	Connector	
1900 3100 58			GA160 400V/50Hz		1060	1088 0000 06	• 1	Connector	
1900 3100 19			GA90 500V/50Hz		1065	1088 0024 02	• 2	Connector	
1900 3100 27			GA110 500V/50Hz		1070		• 1	Overload relay	
1900 3100 28			GA132 500V/50Hz			1089 9205 30		1)17)	
1900 3100 29			GA160 500V/50Hz			1089 9399 03		2)3)4)	
1900 3102 11			GA90 220-230V/60Hz			1089 9205 24		5)	
1900 3102 12			GA110 220-230V/60Hz			1089 9205 26		6)15)	
1901 3102 15			GA90 380V/60Hz			1089 9205 08		7)20)	
1901 3102 16			GA110 380V/60Hz			1089 9205 30		8)	
1902 3102 27			GA160 380V/60Hz			1089 9205 13		9)	
1902 3102 19			GA90 440-460V/60Hz			1089 9205 24		10)	
1903 3102 20			GA110 440-460V/60Hz			1089 9205 07		11)12)	
1903 3102 21			GA160 440-460V/60Hz			1089 9399 03		13)14)	
1010	1079 9906 09	• 1	Label			1089 9205 06		16)19)	
1015	9823 1821 01	• 1	Label			1089 9205 23		18)	

Ref.	Part number	Qty	Name	Remarks	Ref.	Part number	Qty	Name	Remarks
1 075	• 1	Circuit breaker							
	1089 9203 11		1)2)3)4)7)8)13)14)16)17)19)20)						
	1089 9203 21		5)6)9)10)11)12)15)18)						
1 080	• 2	Circuit breaker							
1 085	•	Connecting link				1089 9416 06	2	7)8)11)12)	Air cooled
	1089 9215 07	6	1)8)17)			1089 9416 91	2	17)20)	Air cooled
	1089 9215 07	3	7)11)12)20)			1089 9416 06	1		Water cooled
1 090	• 2	Contact			1 160	• 1	Contact		
	1089 9221 30		1)7)8)11)12)16)17)19)20)			1089 9415 23		1)2)13)14)17)20)	
	1089 9221 96		2)3)14)			1089 9415 31		3)4)	
	1089 9421 14		4)			1089 9415 21		5)6)9)10)	
	1089 9421 11		5)6)10)15)18)			1089 9415 22		7)8)11)12)15)16)18)19)	
	1089 9221 03		9)		1 165	• 1	Contact		Air cooled
	1089 9421 12		13)		1 170	• 1	Circuit breaker		
1 095	• 1	Contact				1089 9416 73		1)2)17)	
	1089 9421 11		1)2)13)			1089 9416 84		3)4)	
	1089 9221 30		3)14)			1089 9416 70		5)6)9)10)	
	1089 9421 12		4)			1089 9416 71		7)8)11)12)15)16)18)19)	
	1089 9415 41		5)6)10)15)18)19)			1089 9416 74		13)14)	
	1089 9415 42		7)11)12)16)20)			1089 9416 72		20)	
	1089 9221 03		8)17)		1 175	• 1	Connection element		
	1089 9415 32		9)			1089 9416 90		3)4)	
1 096	• 1	Contact block				1089 9416 91		Others	
	1089 9415 70				1 176	• 1	Connection element		
			5)6)7)9)10)11)12)15)16)18)19)20)			1089 9416 06		Air cooled	
1 100	• 1	Circuit breaker			1 180	•	Contact block		
	1089 9416 26		1)2)13)14)			1089 9416 07	2	Air cooled	
	1089 9416 27		3)4)			1089 9416 07	1	Water cooled	
	1089 9416 22		5)6)15)		1 185	• 1	Circuit breaker		Air cooled
	1089 9416 24		7)8)16)17)			1089 9416 24		1)2)3)4)	
	1089 9416 21		9)10)11)12)18)			1089 9416 21		5)6)7)8)	
	1089 9416 23		19)20)			1089 9416 20		9)10)11)12)	
1 105	• 1	Contact block				1089 9416 25		13)14)	
1 110	• 1	Emergency stop button				1089 9416 23		15)16)17)18)19)20)	
1 115	• 1	Contact block			1 190	• 1	Circuit breaker		
1 120	• 1	Key switch			1 195	• 1	Circuit breaker		
1 125	• 1	Transformer			1 200	• 1	Phase sequence relay		
	1089 9136 98		1)2)7)8)13)14)			1089 9461 03		9)10)11)12)18)19)20)	
	1089 9136 99		3)4)			1089 9461 01		Others	
	1089 9136 97		5)6)		1 210	• 1	Connector		COM1 (5x1)
	1089 9436 05		9)10)11)12)15)18)		1 220	• 1	Connector		THM (3x1.1)
	1089 9436 07		16)17)19)20)		1 230	• 1	Connector		COM2 (7x1)
1 130	• 1	Transformer			1 240	• 1	Connector		PROFIBUS (7x1)
1 135	• 1	Mounting plate							
1 136	• 1	Interface relay							
1 137	• 1	Contact block			1)	GA90 230V/50Hz			
1 140	•	Contact			2)	GA110 230V/50Hz			
	1089 9415 22	1	1)2)13)14)	Air cooled	3)	GA132 230V/50Hz			
	1089 9415 12	1	5)6)9)10)	Air cooled	4)	GA160 230V/50Hz			
	1089 9415 21	1	15)16)18)19)	Air cooled	5)	GA90 400V/50Hz			
	1089 9415 22	2	3)4)	Air cooled	6)	GA110 400V/50Hz			
	1089 9415 12	2	7)8)11)12)	Air cooled	7)	GA132 400V/50Hz			
	1089 9415 21	2	17)20)	Air cooled	8)	GA160 400V/50Hz			
	1089 9415 11	1		Water cooled	9)	GA90 500V/50Hz			
1 145	•	Contact block			10)	GA110 500V/50Hz			
	1089 9416 07	1	1)2)5)6)9)10)	Air cooled	11)	GA132 500V/50Hz			
	1089 9416 07	1	13)14)15)16)18)19)		12)	GA160 500V/50Hz			
			Air cooled		13)	GA90 220-230V/60Hz			
	1089 9416 07	2	3)4)7)8)11)12)17)20)		14)	GA110 220-230V/60Hz			
			Air cooled		15)	GA90 380V/60Hz			
	1089 9416 07	1		Water cooled	16)	GA110 380V/60Hz			
1 150	•	Circuit breaker			17)	GA160 380V/60Hz			
	1089 9416 71	1	1)2)13)14)	Air cooled	18)	GA90 440-460V/60Hz			
	1089 9416 28	1	5)6)9)10)	Air cooled	19)	GA110 440-460V/60Hz			
	1089 9416 69	1	15)16)18)19)	Air cooled	20)	GA160 440-460V/60Hz			
	1089 9416 71	2	3)4)	Air cooled	21)	Up to serial No. :			
	1089 9416 28	2	7)8)11)12)	Air cooled		Tot serienummer:			
	1089 9416 69	2	17)20)	Air cooled		T.o.m. tillverkningsnummer:			
	1089 9416 24	1	1)2)3)4)	Water cooled		Bis Seriennummer:			
	1089 9416 21	1	5)6)7)8)15)16)17)	Water cooled		Jusqu'au numéro de série:			
	1089 9416 20	1	9)10)11)12)18)19)20)			Hasta el número de serie:			
1 155	•	Connection element				Fino al numeri di serie:			
	1089 9416 91	1	1)2)13)14)	Air cooled		Gælder til følgende serienumre:			
	1089 9416 91	1	15)16)18)19)	Air cooled		Até o número de série:			
	1089 9416 06	1	5)6)9)10)	Air cooled		Til følgende serienummer:			
	1089 9416 91	2	3)4)	Air cooled		Seuraavaan valmistusnumeroon asti, No.:			
						AIF-078 299			

33

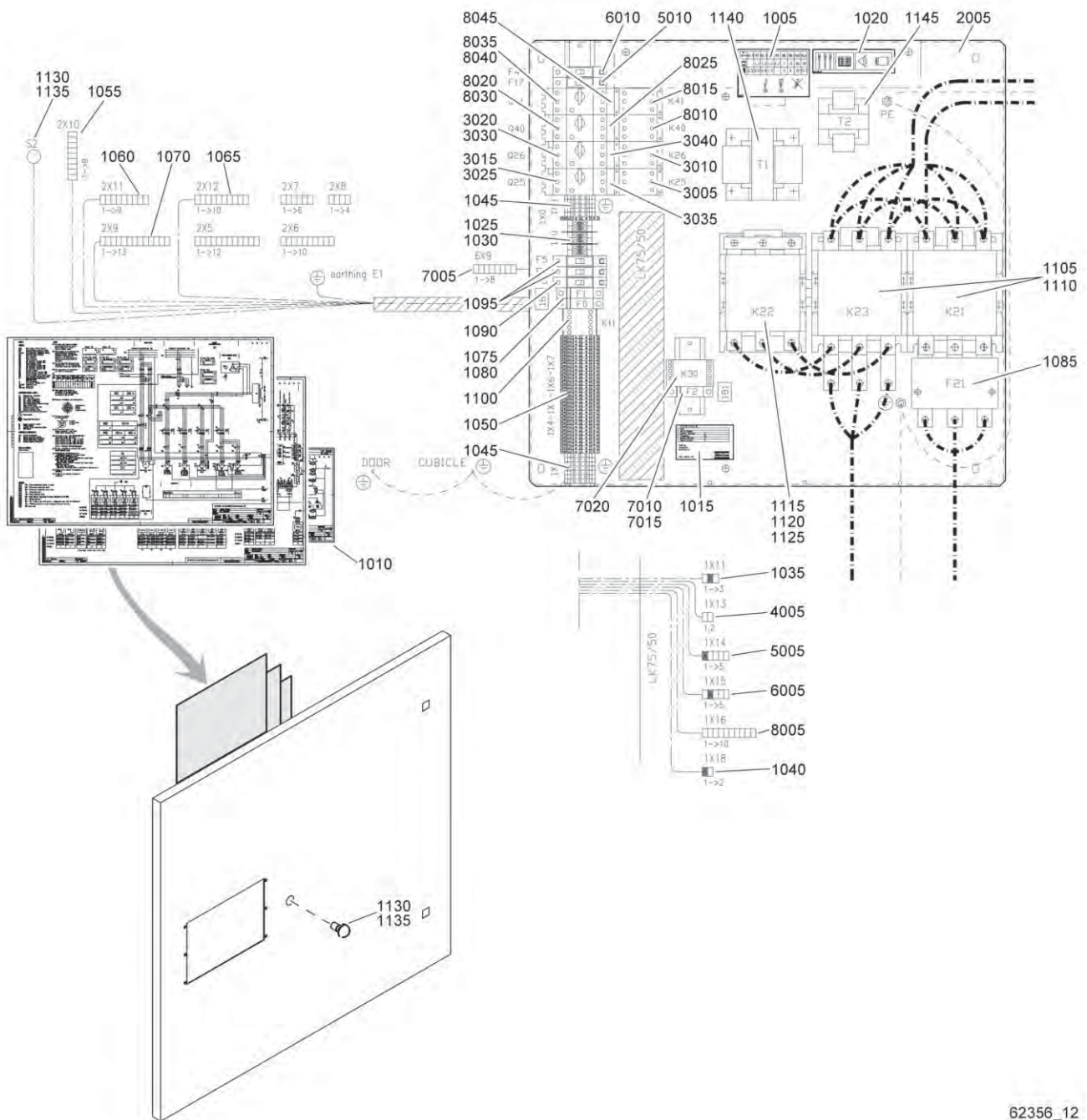


62356_12

Start cubicle - without starter - Control Voltage 230/24V - Full options - 2)

Ref.	Part number	Qty	Name	Remarks	Ref.	Part number	Qty	Name	Remarks
		1	Control panel			1089 9415 59		GA110 380V/60Hz,	
	1900 3127 10		GA90 230V/50Hz,			1089 9415 58		GA160 500V/50Hz	
			GA90 220-230V/60Hz,					GA90-GA110 400V/50Hz,	
	1900 3127 12		GA160 380V/60Hz					GA90 380V/60Hz,	
			GA110 230V/50Hz,					GA90-GA110 440-460V/	
	1900 3127 13		GA160 400V/50Hz					60Hz,	
			GA132 230V/50Hz,					GA90-GA110-GA132 500V/	
	1900 3127 14		GA110 220-230V/60Hz		1110	1089 9415 09	• 2	50Hz	Contact block
			GA132 400V/50Hz,		1115	1089 9415 07	• 2		Contact block
	1900 3127 15		GA160 440-460V/60Hz					GA90-GA110-GA132 400V/	
	1901 3127 16		GA160 230V/50Hz					50Hz,	
			GA160 500V/50Hz,					GA90-GA110 380V/60Hz,	
	1900 3127 18		GA110 380V/60Hz					GA90-GA110-GA160 440-	
	1900 3127 19		GA90 400V/50Hz					460V/60Hz,	
			GA110 400V/50Hz,					GA90-GA110-GA132-GA160	
			GA90 500V/50Hz,					500V/50Hz	
			GA110 500V/50Hz,		1120	1089 9415 08	• 1		Contact block
			GA132 500V/50Hz,					GA90-GA110-GA132 400V/	
			GA90 380V/60Hz,					50Hz,	
			GA90 440-460V/60Hz,					GA90-GA110 380V/60Hz,	
			GA110 440-460V/60Hz					GA90-GA110-GA160 440-	
1005	1079 9906 09	• 1	Label					460V/60Hz,	
1010	9823 1821 11	• 1	Label					GA90-GA110-GA132-GA160	
1015	1613 6639 00	• 1	Data plate					500V/50Hz	
1020	1079 9901 68	• 1	Label						
1025	1089 0506 06	• 6	Terminal		1125		• 1	Contactor	
1030	1089 9398 12	• 1	Terminal			1089 9415 58		GA90-GA110-GA132 230V/	
1035	1088 0031 03	• 1	Connector					50Hz,	
1040	1088 0031 02	• 1	Connector					GA90GA110 220-230V/60Hz,	
1045	1089 0506 27	• 11	Terminal					GA160 380V/60Hz ,	
1050	1089 9398 11	• 29	Terminal					GA160 400V/50Hz	
1055	1088 0031 49	• 1	Connector			1089 9415 42		GA90-GA110 380V/60Hz,	
1060	1088 0031 29	• 1	Connector					GA110-GA132 400V/50Hz,	
1065	1088 0031 30	• 1	Connector					GA90-GA110-GA160 440-	
1070	1088 0031 13	• 1	Connector					460V/60Hz,	
1075	1089 0612 01	• 2	Fuse holder					GA90-GA110-GA132-GA160	
1080	1089 0612 25	• 2	Fuse					500V/50Hz	
1085		• 1	Electric overload relay			1089 9415 78		GA160 230V/50Hz	
	1089 9446 22		GA90-GA110 230V/50Hz,			1089 9415 41		GA90 400V/50Hz	
			GA90 220-230V/60Hz,		1130	1089 0362 51	• 1	Emergency stop button	
			GA160 380V/60Hz,		1135	1089 0362 58	• 1	Contact block	
			GA160 400V/50Hz		1140	1089 9436 07	• 1	Trafo	
	1089 9446 23		GA110 220-230V/60Hz,		1145	1089 9136 93	• 1	Trafo	
			GA132-160 230V/50Hz		2005	1614 9110 00	• 1	Mounting plate	
	1089 9446 21		GA90-GA110-GA132 400V/				1	Option Fan	
			50Hz,			1900 3133 01		GA90-GA110 220-230V/50-	
			GA90-GA110 380V/60Hz					60Hz	
			GA90-GA110-GA160 440-			1900 3133 02		GA132-GA160 220-230V/50-	
			460V/60Hz					60Hz	
			GA90-GA110-GA132-GA160			1900 3133 03		GA90-GA110 380-500V/50Hz	
			500V/50Hz			1900 3133 04		GA132-GA160 380-500V/	
								50Hz	
1090	1089 9203 11	• 1	Circuit breaker			1900 3133 05		GA90-GA110 380-460V/60Hz	
1095	1089 9203 11	• 2	Circuit breaker			1900 3133 06		GA160 380-460V/60Hz	
1100	1089 9415 17	• 1	Contactor			1900 3133 10		GA90 W-GA160 W 220-	
1105		• 2	Contactor					240V/50-60Hz	
	1089 9415 78		GA90-GA110 230V/50Hz,			1900 3133 11		GA90 W-GA160 W 380-	
			GA90 220-230V/60Hz,					415V/60Hz	
			GA160 380V/60Hz,			1900 3133 12		GA90 W-GA160 W 440-	
			GA160 400V/50Hz					500V/50-60Hz	
	1089 9415 79		GA110 220-230V/60Hz,		3005		• 1	Contactor	
			GA132 230V/50Hz			1089 9415 22		GA90-160 220-230V/50-60Hz	
	1089 9415 60		GA132 400V/50Hz,			1089 9415 12		GA90-160 380-500V/50Hz	
			GA160 440-460V/60Hz			1089 9415 13		GA90-160 380-460V/60Hz	
	1089 9415 74		GA160 230V/50Hz			1089 9415 11		GA90 W-GA160 W	

33

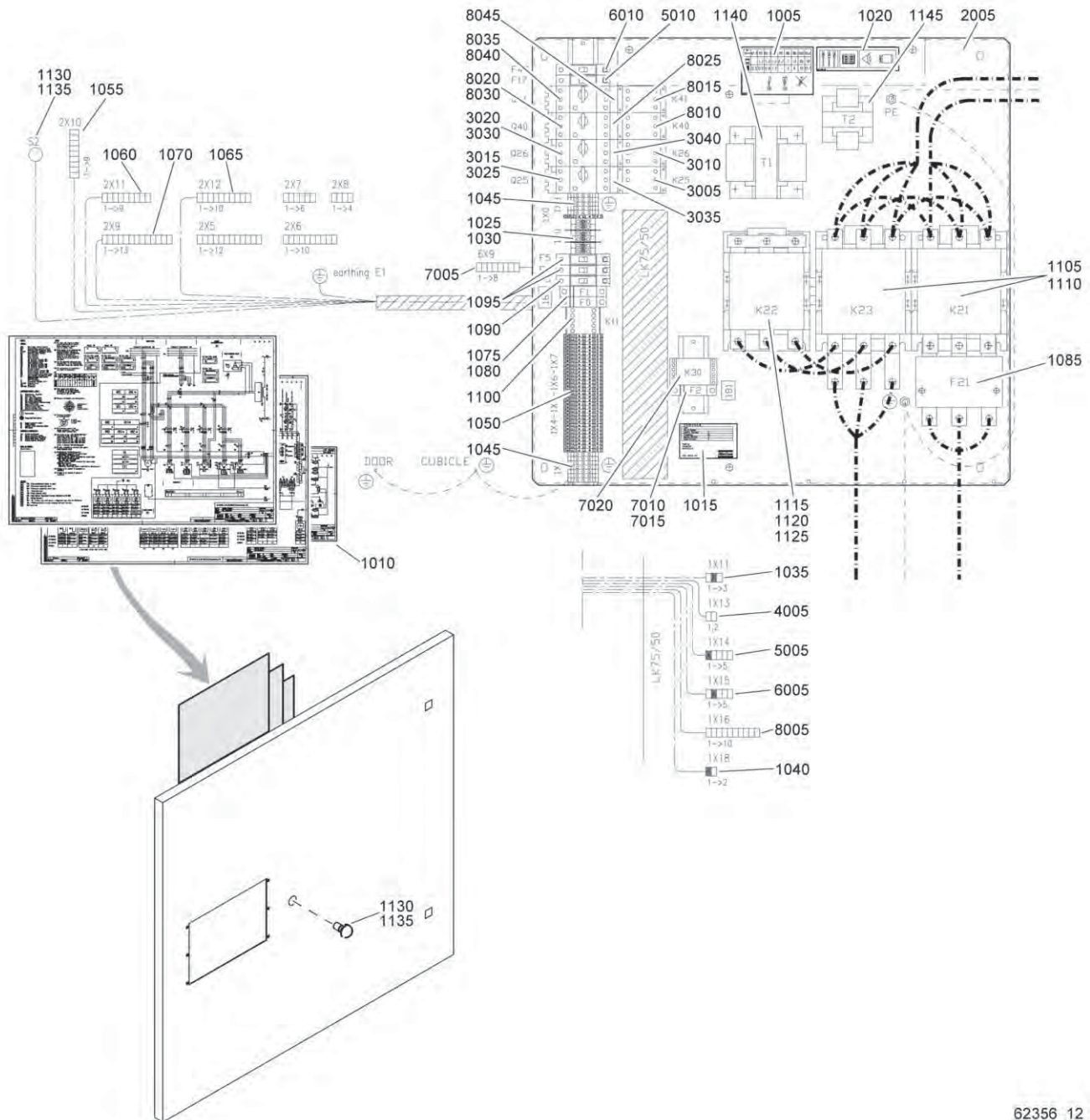


62356_12

Start cubicle - star/delta - Control Voltage 230/24V - Full options - 2)

Ref.	Part number	Qty	Name	Remarks	Ref.	Part number	Qty	Name	Remarks
3010	1089 9415 22	• 1	Contactor GA132-GA160 220-230V/50-60Hz		1900 3134 27			GA90-GA110 380V/60Hz, GA90-GA110 440-460V/60Hz	
	1089 9415 12		GA132-GA160 380-500V/ 50Hz		1900 3134 28			GA160 380V/60Hz	
	1089 9415 13		GA160 380-460V/60Hz		1900 3134 29			GA160 440-460V/60Hz	
3015	1089 9416 71	• 1	Circuit breaker GA90-160 220-230V/50-60Hz		1900 3134 30			GA90-GA110 500V/50Hz	
	1089 9416 28		GA90-160 380-500V/50Hz		1900 3134 41			GA90 W-GA110 W 220-240V/ 50Hz,	
	1089 9416 29		GA90-160 380-460V/60Hz					GA160 W 380V/60Hz	
	1089 9416 24		GA90 W-GA160 W 220-240V/ 50-60Hz		1900 3134 42			GA132 W-GA160 W 220- 240V/50Hz	
	1089 9416 21		GA90 W-GA160 W 380-415V/ 60Hz		1900 3134 43			GA90 W-GA110 W 400V/ 50Hz,	
	1089 9416 20		GA90 W-GA160 W 440-500V/ 50-60Hz		1900 3134 44			GA90 W-GA110 W 380-415V/ 50Hz	
3020	1089 9416 71	• 1	Circuit breaker GA132-GA160 220-230V/50-60Hz					GA90 W-GA110 W 440-460V/ 60Hz,	
	1089 9416 28		GA132-GA160 380-500V/ 50Hz					GA132 W-GA160 W 400V/ 50Hz,	
	1089 9416 29		GA160 380-460V/60Hz					GA132 W-GA160 W 380- 415V/50Hz,	
3025	1089 9416 07	• 1	Contact block					GA132 W-GA160 W 500V/ 50Hz,	
3030	1089 9416 07	• 1	Contact block GA132-GA160 220-230V/50-60Hz, GA132-GA160 380-500V/ 50Hz,		1900 3134 45			GA90 W-GA110 W 500V/50Hz	
			GA160 380-460V/60Hz		1900 3134 46			GA90 W-GA110 W 220-230V/ 60Hz	
3035	1089 9416 91	• 1	Connecting element GA90-160 220-230V/50-60Hz		1900 3134 47			GA160 W 440-460V/60Hz	
	1089 9416 06		Others	8005 8010	1088 0031 10	• 1	Connector		
3040	1089 9416 91	• 1	Connecting element GA132-GA160 220-230V/50-60Hz		1089 9415 21	• 1	Contactor GA90(W)-GA110(W) 380- 415V/50Hz,		
	1089 9416 06		GA132-GA160 380-500V/ 50Hz, GA160 380-460V/60Hz		1089 9415 22		GA90 W-GA110 W 400V/50Hz GA90(W)-GA110(W)- GA132(W)-GA160(W) 500V/ 50Hz, GA90(W)-GA110(W) 380V/ 60Hz,		
4005	1900 3134 01	1	Option Motor Heater				GA90(W)-GA110(W) 440- 460V/60Hz, GA132(W)-GA160(W) 380- 415V/50Hz, GA132 W-GA160 W 400V/ 50Hz		
	1088 0031 02	• 1	Connector		1089 9415 23		GA90(W)-GA110(W) 220- 240V/50Hz, GA90(W)-GA110(W) 220- 230V/60Hz,		
	1900 3134 02	1	Option Condensate Drain				GA160(W) 380V/60Hz, GA160(W) 440-460V/60Hz GA132(W)-GA160(W) 220- 240V/50Hz		
5005	1088 0031 05	• 1	Connector		1089 9415 31		GA90(W) 380V/60Hz, GA160(W) 440-460V/60Hz		
5010	1089 9203 31	• 1	Circuit breaker		8015	• 1	Contactor		
	1900 3134 03	1	Option Condensate Drain Dryer		1089 9415 11	• 1	Aircooled		
6005	1088 0031 05	• 1	Connector		8020	• 1	Circuit breaker GA90(W)-GA110(W) 500V/ 50Hz		
6010	1089 9203 31	• 1	Circuit breaker		1089 9416 69		GA90(W)-GA110(W) 380- 415V/50Hz,		
	1900 3134 04	1	Option Phase Sequence Relay		1089 9416 70		GA90(W)-GA110(W) 380- 415V/50Hz, GA90 W-GA110 W 400V/50Hz GA90(W)-GA110(W) 380V/ 60Hz,		
	1900 3134 05	1	230-400V 500V		1089 9416 71		GA90(W)-GA110(W) 440- 460V/60Hz, GA132 W-GA160 W 400V/ 50Hz,		
7005	1088 0031 08	• 1	Connector				GA90(W)-GA110(W) 380V/ 60Hz, GA90(W)-GA110(W) 440- 460V/60Hz,		
7010	1089 0612 24	• 1	Fuse				GA132 W-GA160 W 400V/ 50Hz,		
7015	1089 0612 01	• 1	Fuse holder						
7020	1089 9461 01	• 1	Phase sequence relay 230-400V						
	1089 9461 03	• 1	500V						
	1900 3134 20	1	Option Dryer						
	1900 3134 21	1	GA90-GA110 220-240V/50Hz GA132-GA160 220-240V/ 50Hz						
	1900 3134 22	1	GA90-GA110 380-415V/50Hz						
	1900 3134 23	1	GA132-GA160 380-415V/ 50Hz						
	1900 3134 24	1	GA132-GA160 500V/50Hz						
	1900 3134 25	1	GA90-GA110 220-230V/60Hz						

33



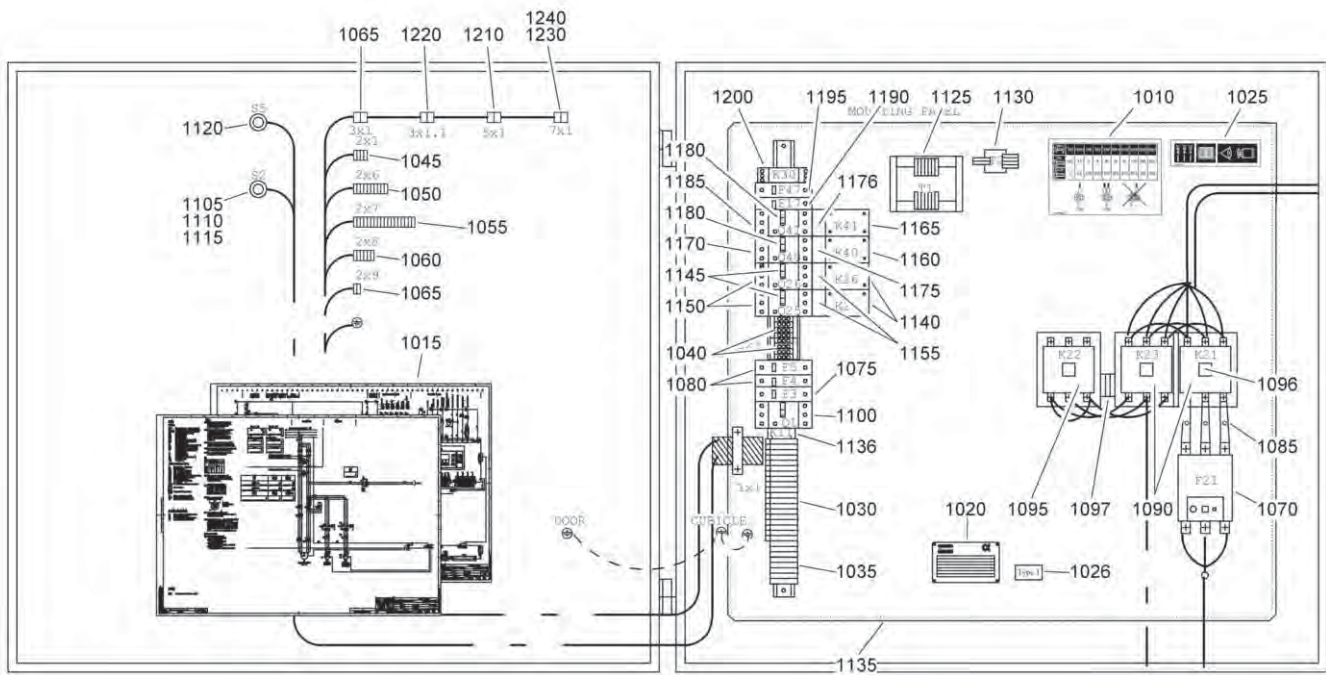
62356_12

Start cubicle - star/delta - Control Voltage 230/24V - Full options - 2)

Ref.	Part number	Qty	Name	Remarks
			GA132(W)-GA160(W) 500V/50Hz, GA132(W)-GA160(W) 380- 415V/50Hz	
	1089 9416 72		GA160(W) 440-460V/60Hz	
	1089 9416 73		GA90(W)-GA110(W) 220- 240V/50Hz, GA160(W) 380V/60Hz, GA90(W)-GA110(W) 220- 230V/60Hz,	
	1089 9416 74		GA132(W)-GA160(W) 220- 240V/50Hz	
8025		• 1	Connecting element	
	1089 9416 90		GA132(W)-GA160(W) 220- 240V/50Hz	
	1089 9416 91		Others	
8030	1089 9416 07	• 1	Contact block	
8035		• 1	Contact block	
	1089 9416 07		Aircooled	
8040		• 1	Circuit breaker	
	1089 9416 24		GA90-GA110-GA132- GA160 220-240V/50Hz	
	1089 9416 21		GA90-GA110-GA132- GA160 380-415V/50Hz	
	1089 9416 20		GA90-GA110-GA132- GA160 500V/50Hz	
	1089 9416 25		GA90-GA110 220-230V/ 60Hz	
	1089 9416 23		GA90-GA110-GA160 380V/ 60Hz, GA90-GA110-GA160 440- 460V/60Hz	
8045		• 1	Connection element	
	1089 9416 06		Aircooled	
	1900 3134 12	1	Option HAT	
	1900 3134 13	1	Option Energy Recovery	
	1900 3134 14	1	Option DDP-Filter	
	1900 3134 15	1	Option PT1000	
	1900 3134 16	1	Option Profibus	
	1900 3134 17	1	Option Modbus	

- 2) From following serial No. onwards:
 Geldig vanaf volgend serienummer:
 Fr.o.m. tillverkningsnummer:
 Gültig ab Seriennummer:
 Valable à partir du numéro de série suivant:
 A partir del siguiente número de serie:
 Dai seguenti numeri di serie in avanti:
 Gælder fra følgende serienumre:
 A partir do número de série:
 Fra og med følgende serienummer:
 Alkaen valmistusnumerosta
 AIF-078 300

34

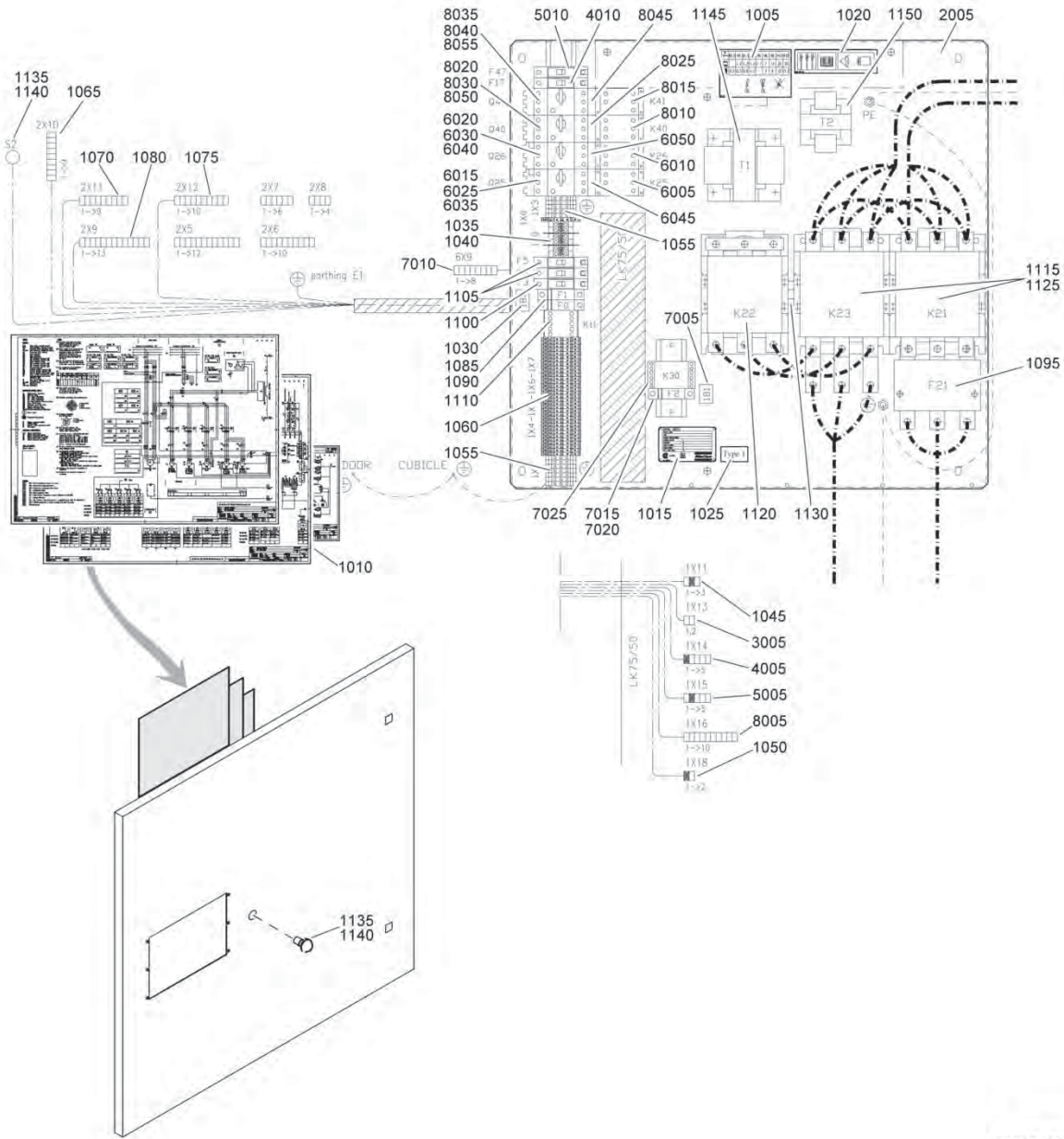


61399_12

Start cubicle - star/delta - Control Voltage 115/24V - CSA/UL - Full options - 1)-7)

Ref.	Part number	Qty	Name	Remarks	Ref.	Part number	Qty	Name	Remarks
		1	Control panel C,U		1145	•		Contact block	
	1900 3101 19		GA90 440-460V/60Hz			1089 9416 07	1	1)2)4)5)	Air cooled
	1900 3101 20		GA110 440-460V/60Hz			1089 9416 07	2	3)6)	Air cooled
	1900 3101 21		GA160 440-460V/60Hz			1089 9416 07	1		Water cooled
	1900 3101 23		GA90 575V/60Hz		1150	•		Circuit breaker	
	1900 3101 24		GA110 575V/60Hz			1089 9416 69	1	1)2)	Air cooled
	1900 3101 25		GA160 575V/60Hz			1089 9416 67	1	4)5)	Air cooled
1010	1079 9906 09	• 1	Label			1089 9416 69	2	3)	Air cooled
1015	9823 1821 01	• 1	Label			1089 9416 67	2	6)	Air cooled
1020	1613 3046 00	• 1	Data plate			1089 9416 21	1	1)2)3)	Water cooled
1025	1079 9901 68	• 1	Label			1089 9416 20	1	4)5)6)	Water cooled
1026	1079 9911 01	• 1	Label		1155	•		Connection element	
1030	1089 9398 11	• 36	Terminal			1089 9416 91	1	1)2)4)5)	Air cooled
1035	1089 0506 27	• 10	Terminal			1089 9416 91	2	3)6)	Air cooled
1040	1089 0506 06	• 2	Terminal			1089 9416 06	1		Water cooled
1045	1088 0024 04	• 1	Connector		1160	•	1	Contact block	
1050	1088 0024 10	• 1	Connector			1089 9415 25		1)2)6)	
1055	1088 0024 18	• 1	Connector			1089 9415 26		3)	
1060	1088 0000 06	• 1	Connector			1089 9415 24		4)5)	
1065	1088 0024 02	• 2	Connector		1165	1089 9415 14	• 1	Contact block	Air cooled
1070		• 1	Overload relay		1170	•	1	Circuit breaker	
	1089 9205 23		1)5)			1089 9416 71		1)2)6)	
	1089 9205 05		2)6)			1089 9416 72		3)	
	1089 9205 08		3)			1089 9416 70		4)5)	
	1089 9205 12		4)		1175	1089 9416 91	• 1	Connection element	
1075		• 1	Circuit breaker		1176	1089 9416 06	• 1	Connection element	Air cooled
	1089 9203 37		1)4)5)					cooled	
			2)3)6)		1180	•		Contact block	
1080	1089 9203 36	• 2	Circuit breaker			1089 9416 07	2		Air cooled
1085		• 3	Connecting link			1089 9416 07	1		Water cooled
	1089 9215 02		3)		1185	•	1	Circuit breaker	Air cooled
1090		• 2	Contact block			1089 9416 22		1)2)3)	
	1089 9221 93		1)5)			1089 9416 21		4)5)6)	
	1089 9221 49		2)6)		1190	1089 9203 31	• 1	Circuit breaker	
	1089 9221 43		3)		1195	1089 9203 31	• 1	Circuit breaker	
	1089 9221 48		4)		1200	•	1	Phase sequence relay	
1095		• 1	Contact block			1089 9461 03		1)2)3)	
	1089 9221 47		1)4)5)			1089 9461 04		4)5)6)	
	1089 9221 44		2)6)		1210	1088 0024 02	• 1	Connector	COM1 (5x1)
	1089 9221 48		3)		1220	1088 0024 02	• 1	Connector	THM (3x1.1)
1096	1089 9221 95	• 1	Contact block		1230	1088 0024 02	• 1	Connector	COM2 (7x1)
1097	1089 9216 03	• 1	Interlock		1240	1088 0024 02	• 1	Connector	PROFIBUS
1100		• 1	Circuit breaker					(7x1)	
	1089 9416 21		1)						
	1089 9416 23		2)3)		1)	GA90 440-460V/60Hz			
	1089 9416 20		4)5)		2)	GA110 440-460V/60Hz			
	1089 9416 22		6)		3)	GA160 440-460V/60Hz			
1105	1089 0362 50	• 1	Contact block		4)	GA90 575V/60Hz			
1110	1089 0362 51	• 1	Emergency stop button		5)	GA110 575V/60Hz			
1115	1089 0362 58	• 1	Contact block		6)	GA160 575V/60Hz			
1120	1089 9082 24	• 1	Key switch		7)	Up to serial No. :			
1125		• 1	Transformer			Tot serienummer:			
	1089 9436 06		1)4)5)			T.o.m. tillverkningsnummer:			
	1089 9436 08		2)3)6)			Bis Seriennummer:			
1130	1089 9436 11	• 1	Transformer			Jusqu'au numéro de série:			
1135	1614 9110 00	• 1	Mounting plate			Hasta el número de serie:			
1136	1089 9388 01	• 1	Interface relay			Fino al numeri di serie:			
1140		•	Contact block			Gælder til følgende serienummer:			
	1089 9415 24	1	1)2)4)5)	Air cooled		Até o número de série:			
	1089 9415 24	2	3)6)	Air cooled		Til følgende serienummer:			
	1089 9415 14	1		Water cooled		Seuraavaan valmistusnumeroon asti, No.:			
						AIF-078 299			

35 Start cubicle - star/delta - Control Voltage 115/24V - CSA/UL - Full options - 2)

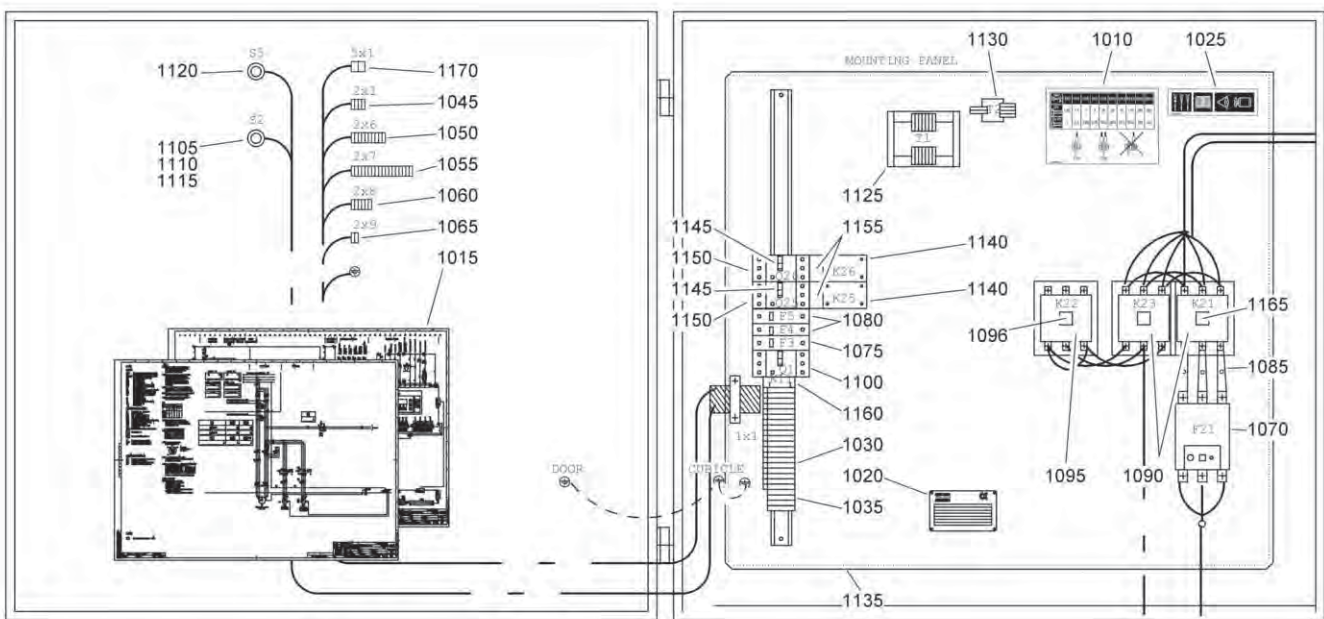


62357_12 62357_12

Ref.	Part number	Qty	Name	Remarks	Ref.	Part number	Qty	Name	Remarks
	1900 3128 10	1	Control panel C,U		1055	1089 0506 27	• 11	Terminal	
			GA90(W) 440-460V/60Hz,		1060	1089 9398 11	• 29	Terminal	
			GA90(W) 575V/60Hz		1065	1088 0031 49	• 1	Connector	
	1900 3128 11		GA110(W) 440-460V/60Hz,		1070	1088 0031 29	• 1	Connector	
			GA160(W) 575V/60Hz		1075	1088 0031 30	• 1	Connector	
	1900 3128 12		GA110(W) 575V/60Hz		1080	1088 0031 13	• 1	Connector	
	1900 3128 13		GA160(W) 440-460V/60Hz		1085	1089 0612 01	• 2	Fuse holder	
1005	1079 9906 09	• 1	Label		1090	1089 9168 26	• 2	Fuse	
1010	9823 1821 11	• 1	Label		1095	1089 9446 21	• 1	Electrical overload relay	
1015	1614 8949 00	• 1	Data plate		1100	1089 9203 38	• 1	Circuit breaker	
1020	1079 9901 68	• 1	Label		1105	1089 9203 36	• 2	Circuit breaker	
1025	1079 9911 01	• 1	Label		1110	1089 9415 17	• 1	Contactor	
1030	1079 9922 70	• 1	Fuselabel		1115		• 2	Contactor	
1035	1089 0506 06	• 6	Terminal			1089 9415 61		GA90(W) 440-460V/60Hz,	
1040	1089 9398 12	• 1	Terminal					GA90(W)-GA110(W) 575V/	
1045	1088 0031 03	• 1	Connector					60Hz	
1050	1088 0031 02	• 1	Connector						

Ref.	Part number	Qty	Name	Remarks	Ref.	Part number	Qty	Name	Remarks
	1089 9415 62		GA110(W) 440-460V/60Hz, GA160(W) 575V/60Hz		7025		1	Watch relay 440-460V	
	1089 9415 63		GA160(W) 440-460V/60Hz			1089 9461 03		575V	
1120	1089 9415 61	• 1	Contacteur			1089 9461 04			
1125	1089 9415 09	• 2	Contact block				1	Option Dryer	
1130	1089 9415 91	• 1	Mechanical interlock					GA90-GA110 440-460V/60Hz	
1135	1089 0362 51	• 1	Emergency stop button					GA160 440-460V/60Hz	
1140	1089 0362 58	• 1	Contact block					GA90-GA110 575V/60Hz	
1145	1089 9436 08	• 1	Trafo					GA160 575V/60Hz	
1150	1089 9436 11	• 1	Trafo					GA90 W-GA160 W 440-460V/ 60Hz,	
2005	1614 9110 00	• 1	Mounting plate					GA160 W 575V/60Hz	
	1900 3134 01	1	Option Motor Heater					GA160 W 440-460V/60Hz	
3005	1088 0031 02	• 1	Connector					GA90 W-GA110 W 575V/60Hz	
	1900 3134 02	1	Option Condensate Drain		8005	1088 0031 10	• 1	Connector	
4005	1088 0031 05	• 1	Connector		8010		• 1	Contacteur	
4010	1089 9203 31	• 1	Circuit breaker			1089 9415 25		GA90(W)-GA110(W) 440- 460V/60Hz,	
	1900 3134 03	1	Option Condensate Drain Dryer					GA160(W) 575V/60Hz	
5005	1088 0031 05	• 1	Connector			1089 9415 26		GA160(W) 440-460V/60Hz	
5010	1089 9203 31	• 1	Circuit breaker			1089 9415 24		GA90(W)-GA110(W) 575V/ 60Hz	
	1900 3133 20		Option Fan						
	1900 3133 21		GA90-GA110 440-460V/60Hz		8015		• 1	Contacteur	
	1900 3133 22		GA160 440-460V/60Hz			1089 9415 24		GA90-GA110-GA160 440- 460V/60Hz,	
	1900 3133 23		GA90-GA110 575V/60Hz					GA90-GA110-GA160 575V/ 60Hz	
	1900 3133 30		GA160 575V/60Hz						
	1900 3133 31		GA90 W-GA160 W 440-460V/ 60Hz		8020		• 1	Circuit breaker	
			GA90 W-GA160 W 575V/ 60Hz			1089 9416 71		GA90(W)-GA110(W) 440- 460V/60Hz,	
6005	1089 9415 24	• 1	Contacteur					GA160(W) 575V/60Hz	
6010		• 1	Contacteur			1089 9416 72		GA160(W) 440-460V/60Hz	
	1089 9415 24		GA160 440-460V/60Hz, GA160 575V/60Hz			1089 9416 70		GA90(W)-GA110(W) 575V/ 60Hz	
6015		• 1	Circuit breaker		8025	1089 9416 91	• 1	Connecting element	
	1089 9416 69		GA90-GA110-GA160 440- 460V/60Hz		8030	1089 9416 07	• 1	Contact block	
	1089 9416 67		GA90-GA110-GA160 575V/ 60Hz		8035		• 1	Contact block	
	1089 9416 61		GA90 W-GA160 W 440-460V/ 60Hz			1089 9416 07		Aircooled	
	1089 9416 60		GA90 W-GA160 W 575V/ 60Hz		8040		• 1	Circuit breaker	
						1089 9416 62		GA90-GA110-GA160 440- 460V/60Hz	
6020		• 1	Circuit breaker			1089 9416 61		GA90-GA110-GA160 575V/ 60Hz	
	1089 9416 69		GA160 440-460V/60Hz		8045		• 1	Connecting element	
	1089 9416 67		GA160 575V/60Hz			1089 9416 91		Aircooled	
6025	1089 9416 07	• 1	Contact block		8050	1089 9416 75	• 1	Connection block	
6030		• 1	Contact block		8055		• 1	Connection block	
	1089 9416 07		GA160 440-460V/60Hz, GA160 575V/60Hz			1089 9416 75		Aircooled	
6035	1089 9416 75	• 1	Connection block			1900 3134 12	1	Option HAT	
6040		• 1	Connection block			1900 3134 13	1	Option Energy Recovery	
	1089 9416 75		GA160 440-460V/60Hz, GA160 575V/60Hz			1900 3134 14	1	Option DDP-Filter	
6045	1089 9416 91	• 1	Connecting element			1900 3134 15	1	Option PT1000	
6050		• 1	Connecting element			1900 3134 16	1	Option Profibus	
	1089 9416 91		GA160 440-460V/60Hz, GA160 575V/60Hz			1900 3134 17	1	Option Modbus	
	1900 3134 06		Option Phase Sequence Relay						
	1900 3134 07		440-460V 575V						
7005	1079 9922 78	• 1	Fuse label						
7010	1088 0031 08	• 1	Male connector						
7015	1089 9168 24	• 1	Fuse						
7020	1089 0612 01	• 1	Fuse holder						
					2)	From following serial No. onwards: Geldig vanaf volgend serienummer: Fr.o.m. tillverkningsnummer: Gültig ab Seriennummer: Valable à partir du numéro de série suivant: A partir del siguiente número de serie: Dai seguenti numeri di serie in avanti: Gælder fra følgende serienumre: A partir do número de série: Fra og med følgende serienummer: Alkaen valmistusnumerosta AIF-078 300			

36

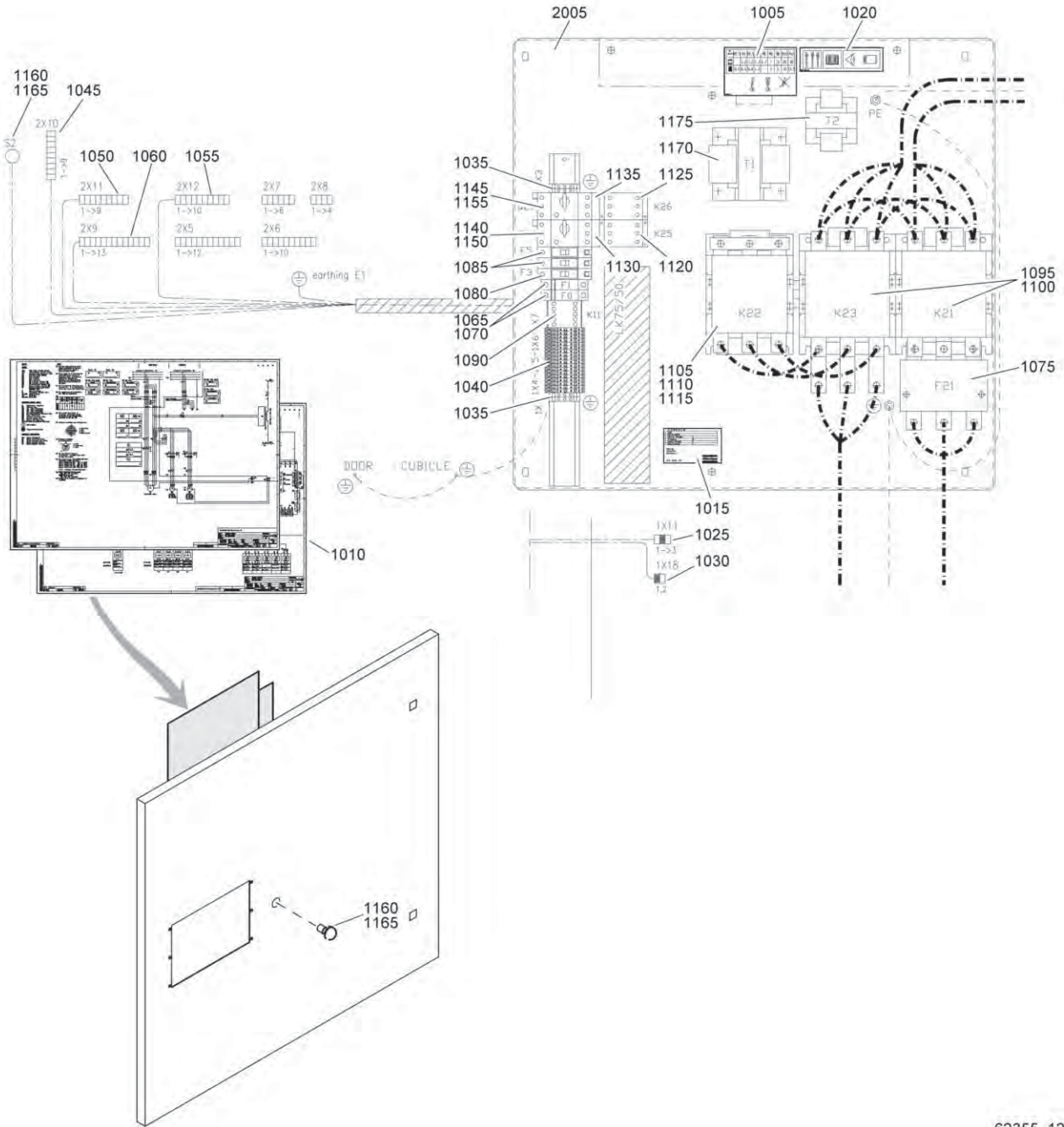


61401_12

Start cubicle - star/delta - Control Voltage 230/24V - COM 1 option only - 1)-15)

Ref.	Part number	Qty	Name	Remarks	Ref.	Part number	Qty	Name	Remarks
		1	Control panel		1125		• 1	Transformer	
	1900 3100 35		GA90 400V/50Hz			1089 9136 97		1)2)3)4)5)6)7)8)	
	1900 3100 36		GA110 400V/50Hz			1089 9436 05		9)11)12)14)	
	1900 3100 33		GA132 400V/50Hz			1089 9436 07		10)13)	
	1900 3100 38		GA160 400V/50Hz		1130	1089 9136 93	• 1	Transformer	
	1900 3100 45		GA90 W 400V/50Hz		1135	1614 9110 00	• 1	Mounting plate	
	1900 3100 46		GA110 W 400V/50Hz		1140		•	Contactactor	
	1900 3100 43		GA132 W 400V/50Hz			1089 9415 12	1	1)2)	
	1900 3100 48		GA160 W 400V/50Hz			1089 9415 21	1	9)10)	
	1902 3102 31		GA90 440-460V/60Hz			1089 9415 12	2	3)4)	
	1903 3102 32		GA110 440-460V/60Hz			1089 9415 21	2	11)	
	1903 3102 33		GA160 440-460V/60Hz			1089 9415 11	1	5)6)7)8)12)13)14)	
	1902 3102 41		GA90 W 440-460V/60Hz		1145		•	Contact block	
	1903 3102 42		GA110 W 440-460V/60Hz			1089 9416 07	1	1)2)5)6)7)8)9)10)12)13)14)	
	1903 3102 43		GA160 W 440-460V/60Hz			1089 9416 07	2	3)4)11)	
1010	1079 9906 09	• 1	Label		1150		•	Circuit breaker	
1015	9823 1821 02	• 1	Label			1089 9416 28	1	1)2)	
1020	1613 6639 00	• 1	Data plate			1089 9416 68	1	9)10)	
1025	1079 9901 68	• 1	Label			1089 9416 20	1	12)13)14)	
1030	1089 9398 11	• 19	Terminal			1089 9416 28	2	3)4)	
1035	1089 0506 27	• 4	Terminal			1089 9416 68	2	11)	
1045	1088 0024 04	• 1	Connector			1089 9416 21	1	5)6)7)8)	
1050	1088 0024 10	• 1	Connector		1155		•	Connection element	
1055	1088 0024 18	• 1	Connector			1089 9416 06	1	1)2)5)6)7)8)12)13)14)	
1060	1088 0000 06	• 1	Connector			1089 9416 91	1	9)10)	
1065	1088 0024 02	• 1	Connector			1089 9416 06	2	3)4)	
1070		• 1	Overload relay			1089 9416 91	2	11)	
	1089 9205 24		1)5)		1160	1089 9388 01	• 1	Interface relay	
	1089 9205 26		2)6)		1165	1089 9221 95	• 1	Contact block	
	1089 9205 08		3)7)11)14)		1170	1088 0024 02	• 1	Connector	
	1089 9205 30		4)8)						
	1089 9205 23		9)12)		1)	GA90 400V/50Hz			
	1089 9205 06		10)13)		2)	GA110 400V/50Hz			
1075		• 1	Circuit breaker		3)	GA132 400V/50Hz			
	1089 9203 11		10)13)		4)	GA160 400V/50Hz			
	1089 9203 21		Others		5)	GA90 W 400V/50Hz			
1080	1089 9203 11	• 2	Circuit breaker		6)	GA110 W 400V/50Hz			
1085		•	Connecting link		7)	GA132 W 400V/50Hz			
	1089 9215 07	3	3)7)11)14)		8)	GA160 W 400V/50Hz			
	1089 9215 07	6	4)8)		9)	GA90 440-460V/60Hz			
1090		• 2	Contactactor		10)	GA110 440-460V/60Hz			
	1089 9421 11		1)2)5)6)9)12)		11)	GA160 440-460V/60Hz			
	1089 9221 30		3)4)7)8)10)11)13)14)		12)	GA90 W 440-460V/60Hz			
1095		• 1	Contactactor		13)	GA110 W 440-460V/60Hz			
	1089 9415 41		1)2)5)6)9)10)12)13)		14)	GA160 W 440-460V/60Hz			
	1089 9415 42		3)7)11)14)		15)	Up to serial No. :			
	1089 9221 03		4)8)			Tot serienummer:			
1096		• 1	Contact block			T.o.m. tillverkningsnummer:			
	1089 9415 70		1)2)3)5)6)7)9)10)11)12)13)14)			Bis Seriennummer:			
1100		• 1	Circuit breaker			Jusqu'au numéro de série:			
	1089 9416 22		1)2)3)4)5)6)7)8)			Hasta el número de serie:			
	1089 9416 21		9)11)12)14)			Fino al numeri di serie:			
	1089 9416 23		10)13)			Gælder til følgende serienummer:			
1105	1089 0362 50	• 1	Contact block			Até o número de série:			
1110	1089 0362 51	• 1	Emergency stop button			Til følgende serienummer:			
1115	1089 0362 58	• 1	Contact block			Seuraavaan valmistusnumeroon asti, No.:			
1120	1089 9082 24	• 1	Key switch			AIF-078 299			

37



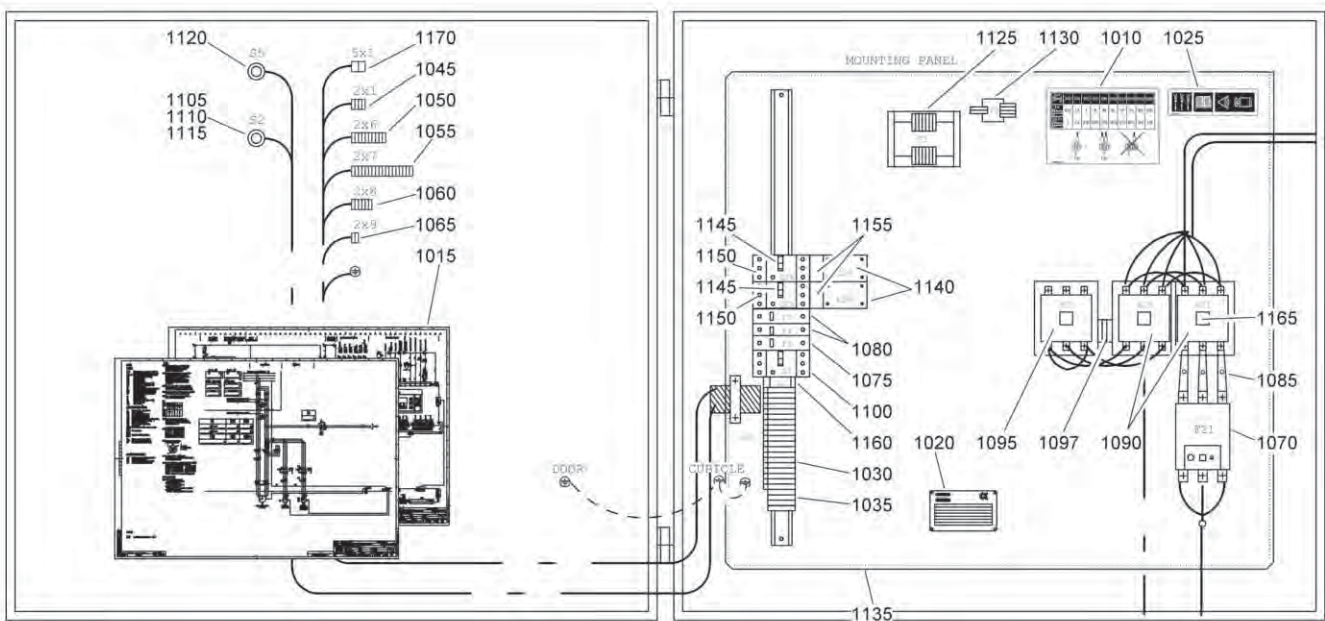
62355_12

Start cubicle - star/delta - Control Voltage 230/24V - Basic parts - 2)

Ref.	Part number	Qty	Name	Remarks	Ref.	Part number	Qty	Name	Remarks
	1900 3129 01	1	Control panel		1110		• 1	Contact block	
			GA90 400V/50Hz			1089 9415 08		GA90, GA110, GA132	
	1900 3129 05		GA110 400V/50Hz		1115		• 1	Contact block	
	1900 3129 03		GA132 400V/50Hz			1089 9415 41		GA90	
	1900 3129 04		GA160 400V/50Hz			1089 9415 42		GA110, GA132	
1005	1079 9906 09	• 1	Label			1089 9415 58		GA160	
1010	9823 1821 13	• 1	Label		1120	1089 9415 12	• 1	Contact block	
1015	1613 6639 00	• 1	Data plate		1125		• 1	Contact block	
1020	1079 9901 68	• 1	Label			1089 9415 12		GA132, GA160	
1025	1088 0031 03	• 1	Connector		1130	1089 9416 06	• 1	Connection element	
1030	1088 0031 02	• 1	Connector		1135		• 1	Connection element	
1035	1089 0506 27	• 4	Terminal			1089 9416 06		GA132, GA160	
1040		•	Terminal		1140	1089 9416 28	• 1	Circuit breaker	
	1089 9398 11	18	GA90		1145		• 1	Circuit breaker	
	1089 9398 11	19	GA110, GA132, GA160			1089 9416 28		GA132, GA160	
1045	1088 0031 49	• 1	Connector		1150	1089 9416 07	• 1	Contact block	
1050	1088 0031 29	• 1	Connector		1155		• 1	Contact block	
1055	1088 0031 30	• 1	Connector			1089 9416 07		GA132, GA160	
1060	1088 0031 13	• 1	Connector		1160	1089 0362 51	• 1	Emergency stop button	
1065		• 2	Fuse		1165	1089 0362 58	• 1	Contact block	
	1089 0612 24		GA90, GA110, GA132		1170		• 1	Trafo	
	1089 0612 25		GA160			1089 9136 97		GA90, GA110, GA132	
1070	1089 0612 01	• 2	Fuse holder			1089 9136 98		GA160	
1075		• 1	Electric overload relay		1175	1089 9136 93	• 1	Trafo	
	1089 9446 21		GA90, GA110, GA132		2005	1614 9110 00	• 1	Mounting plate	
	1089 9446 22		GA160						
1080		• 1	Circuit breaker						
	1089 9203 21		GA90, GA110, GA132						
	1089 9203 11		GA160						
1085	1089 9203 11	• 2	Circuit breaker						
1090	1089 9415 17	• 1	Contact block						
1095		• 2	Contact block						
	1089 9415 58		GA90, GA110						
	1089 9415 60		GA132						
	1089 9415 78		GA160						
1100		• 2	Contact block						
	1089 9138 16		GA90						
	1089 9415 09		GA110, GA132, GA160						
1105		• 2	Contact block						
	1089 9415 07		GA90, GA110, GA132						

2) From following serial No. onwards:
 Geldig vanaf volgend serienummer:
 Fr.o.m. tillverkningsnummer:
 Gültig ab Seriennummer:
 Valable à partir du numéro de série suivant:
 A partir del siguiente número de serie:
 Dai seguenti numeri di serie in avanti:
 Gælder fra følgende serienumre:
 A partir do número de série:
 Fra og med følgende serienummer:
 Alkaen valmistusnumerosta
 AIF-078 300

38

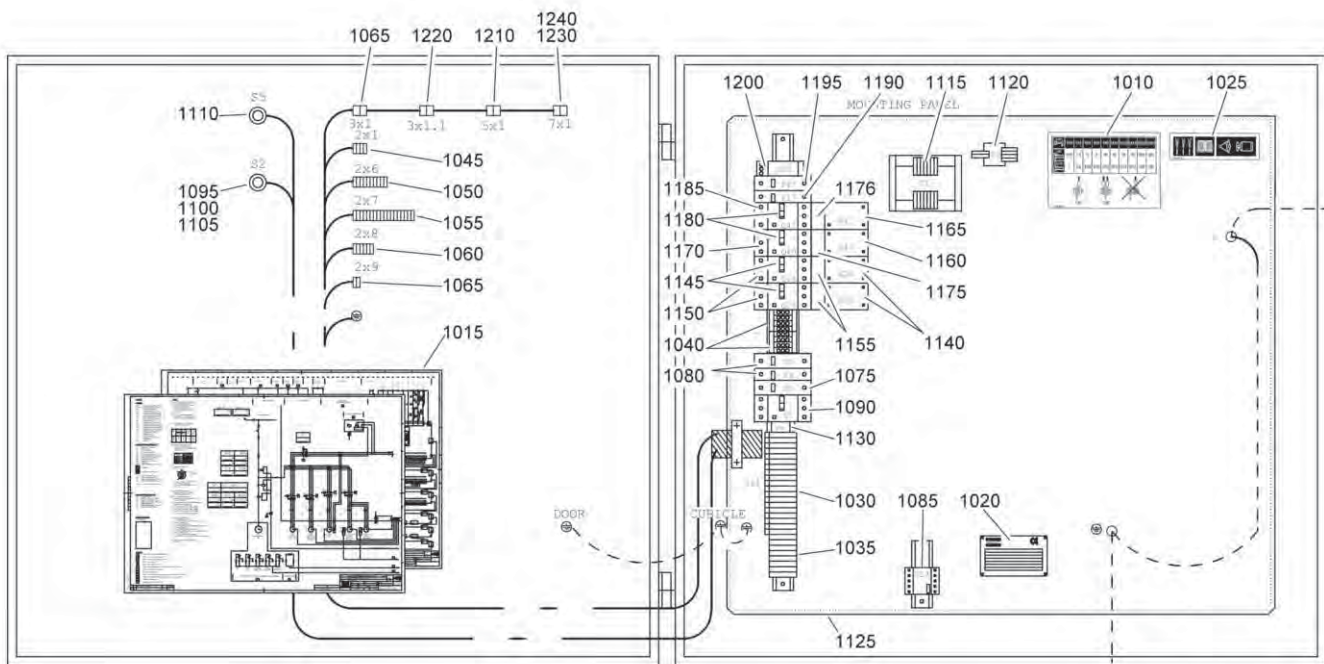


61402_12

Start cubicle - star/delta - Control Voltage 115/24V - COM 1 option only - 1)-7)

Ref.	Part number	Qty	Name	Remarks	Ref.	Part number	Qty	Name	Remarks
		1	Control panel C,U		1 125		• 1	Transformer	
	1900 3101 31		GA90 440-460V/60Hz			1089 9436 06		1)4)	
	1900 3101 32		GA110 440-460V/60Hz			1089 9436 08		2)3)5)6)	
	1900 3101 33		GA160 440-460V/60Hz		1 130	1089 9136 27	• 1	Transformer	
	1900 3101 41		GA90 W 440-460V/60Hz		1 135	1614 9110 00	• 1	Mounting plate	
	1900 3101 42		GA110 W 440-460V/60Hz		1 140		•	Contact	
	1900 3101 43		GA160 W 440-460V/60Hz			1089 9415 24	1	1)2)	
1010	1079 9906 09	• 1	Label			1089 9415 24	2	3)	
1015	9823 1821 02	• 1	Label			1089 9415 14	1	4)5)6)	
1020	1613 3046 00	• 1	Data plate		1 145		•	Contact block	
1025	1079 9901 68	• 1	Label			1089 9416 07	1	1)2)4)5)6)	
1030	1089 9398 11	• 19	Terminal			1089 9416 07	2	3)	
1035	1089 0506 27	• 4	Terminal		1 150		•	Circuit breaker	
1045	1088 0024 04	• 1	Connector			1089 9416 69	1	1)2)	
1050	1088 0024 10	• 1	Connector			1089 9416 69	2	3)	
1055	1088 0024 18	• 1	Connector			1089 9416 21	1	4)5)6)	
1060	1088 0000 06	• 1	Connector		1 155		•	Connection element	
1065	1088 0024 02	• 1	Connector			1089 9416 91	1	1)2)	
1070		• 1	Overload relay			1089 9416 91	2	3)	
	1089 9205 23		1)4)			1089 9416 06	1	4)5)6)	
	1089 9205 05		2)5)		1 160	1089 9388 01	• 1	Interface relay	
	1089 9205 08		3)6)		1 165	1089 9221 95	• 1	Contact block	
1075		• 1	Circuit breaker		1 170	1088 0024 02	• 1	Connector	
	1089 9203 37		1)4)						
			2)3)5)6)		1)	GA90 440-460V/60Hz			
1080	1089 9203 35	• 2	Circuit breaker		2)	GA110 440-460V/60Hz			
1085		• 3	Connecting link		3)	GA160 440-460V/60Hz			
	1089 9215 02		3)6)		4)	GA90 W 440-460V/60Hz			
1090		• 2	Contact		5)	GA110 W 440-460V/60Hz			
	1089 9221 93		1)4)		6)	GA160 W 440-460V/60Hz			
	1089 9221 49		2)5)		7)	Up to serial No. :			
	1089 9221 43		3)6)			Tot serienummer:			
1095		• 1	Contact			T.o.m. tillverkningsnummer:			
	1089 9221 47		1)4)			Bis Seriennummer:			
	1089 9221 44		2)5)			Jusqu'au numéro de série:			
	1089 9221 48		3)6)			Hasta el número de serie:			
1097	1089 9216 03	• 1	Interlock			Fino al numeri di serie:			
1100		• 1	Circuit breaker			Gælder til følgende serienumre:			
	1089 9416 21		1)4)			Até o número de série:			
	1089 9416 23		2)3)5)6)			Til følgende serienummer:			
1105	1089 0362 50	• 1	Contact block			Seuraavaan valmistusnumeroon asti, No.:			
1110	1089 0362 51	• 1	Emergency stop button			AIF-078 299			
1115	1089 0362 58	• 1	Contact block						
1120	1089 9082 24	• 1	Key switch						

39

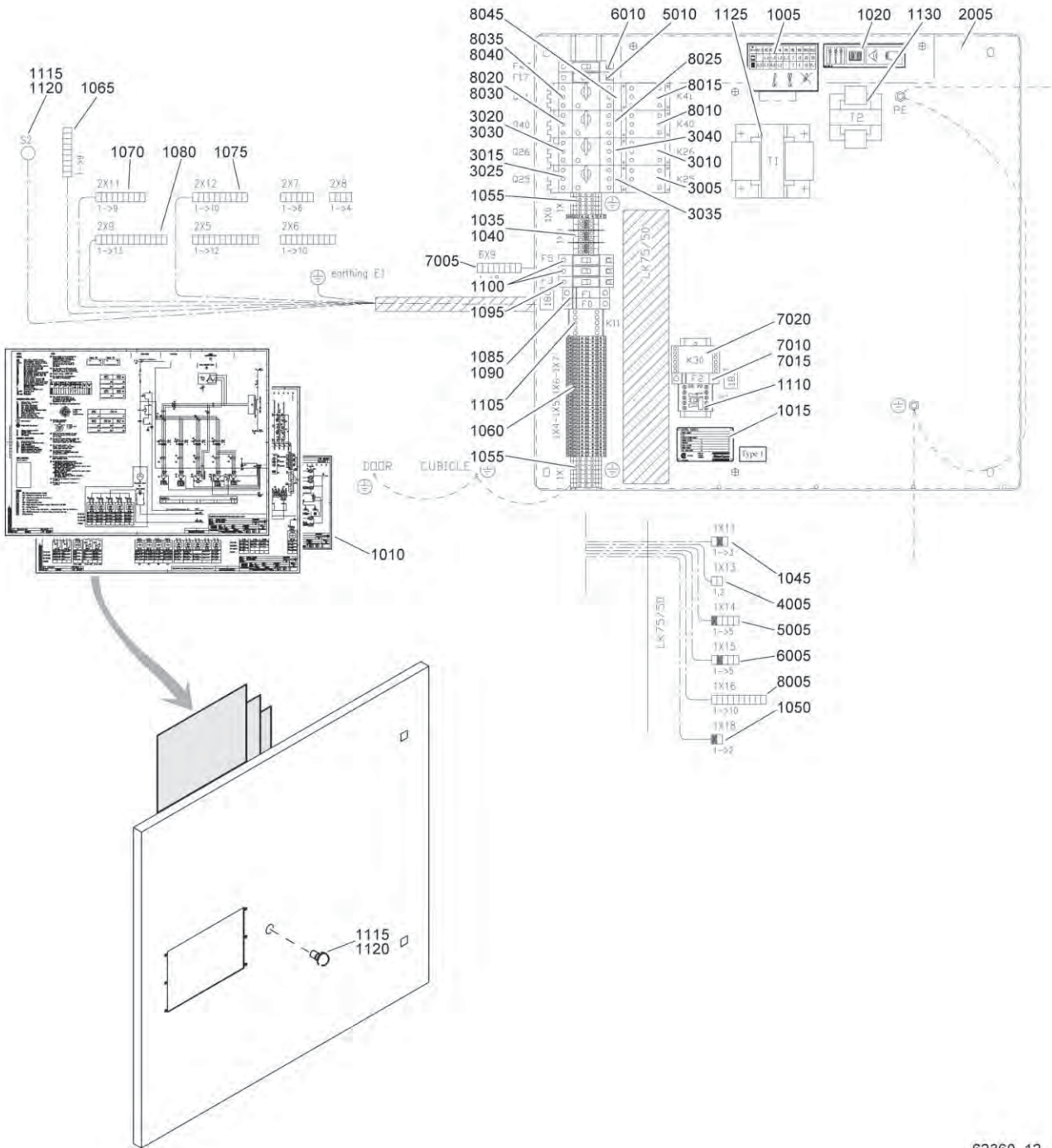


61406_12

Start cubicle, without starter - Control Voltage 230/24V - Full options - 1)-21)

Ref.	Part number	Qty	Name	Remarks	Ref.	Part number	Qty	Name	Remarks
		1	Control panel						
	1900 3100 01		GA90-160 50Hz			1089 9415 21		5)6)9)10)	
	1900 3102 01		GA90-160 60Hz			1089 9415 22		7)8)11)12)15)16)18)19)	
1010	1079 9906 09	• 1	Label		1165	1089 9415 11	• 1	Contactor	Air cooled
1015	9823 1821 03	• 1	Label		1170		• 1	Circuit breaker	
1020	1613 6639 00	• 1	Data plate			1089 9416 73		1)2)17)	
1025	1079 9901 68	• 1	Label			1089 9416 84		3)4)	
1030	1089 9398 11	• 36	Terminal			1089 9416 70		5)6)9)10)	
1035	1089 0506 27	• 10	Terminal			1089 9416 71		7)8)11)12)15)16)18)19)	
1040	1089 0506 06	• 6	Terminal			1089 9416 74		13)14)	
1045	1088 0024 04	• 1	Connector		1175	1089 9416 72	• 1	20)	
1050	1088 0024 10	• 1	Connector					Connection element	
1055	1088 0024 18	• 1	Connector			1089 9416 90		3)4)	
1060	1088 0000 06	• 1	Connector		1176	1089 9416 91	• 1	Others	
1065	1088 0024 02	• 2	Connector			1089 9416 06	• 1	Connection element	
1075	1089 9203 11	• 1	Circuit breaker		1180		•	Air cooled	
1080	1089 9203 04	• 2	Circuit breaker					Contact block	
1085	1089 9438 02	• 1	Relay			1089 9416 07	2		Air cooled
1090		• 1	Circuit breaker			1089 9416 07	1		Water cooled
	1089 9416 25		GA90-160 50Hz		1185		• 1	Circuit breaker	Air cooled
	1089 9416 24		GA90-160 60Hz			1089 9416 24		1)2)3)4)	
1095	1089 0362 50	• 1	Contact block			1089 9416 21		5)6)7)8)	
1100	1089 0362 51	• 1	Emergency stop button			1089 9416 20		9)10)11)12)	
1105	1089 0362 58	• 1	Contact block			1089 9416 25		13)14)	
1110	1089 9082 24	• 1	Key switch		1190	1089 9416 23	• 1	15)16)17)18)19)20)	
1115	1089 9436 08	• 1	Transformer			1089 9203 23	• 1	Circuit breaker	
1120	1089 9436 11	• 1	Transformer		1195	1089 9203 23	• 1	Circuit breaker	
1125	1614 9110 00	• 1	Mounting plate		1200		• 1	Phase sequence relay	
1130	1089 9388 01	• 1	Interface relay			1089 9461 03		9)10)11)12)18)19)20)	
1140		•	Contact block			1089 9461 01		Others	
	1089 9415 22	1	1)2)13)14)	Air cooled	1210	1088 0024 02	• 1	Connector COM1 (5x1)	
	1089 9415 12	1	5)6)9)10)	Air cooled	1220	1088 0024 02	• 1	Connector THM (3x1.1)	
	1089 9415 21	1	15)16)18)19)	Air cooled	1230	1088 0024 02	• 1	Connector COM2 (7x1)	
	1089 9415 22	2	3)4)	Air cooled	1240	1088 0024 02	• 1	Connector PROFIBUS (7x1)	
	1089 9415 12	2	7)8)11)12)	Air cooled	1)	GA90 230V/50Hz			
	1089 9415 21	2	17)20)	Air cooled	2)	GA110 230V/50Hz			
	1089 9415 11	1		Water cooled	3)	GA132 230V/50Hz			
1145		•	Contact block		4)	GA160 230V/50Hz			
	1089 9416 07	1	1)2)5)6)9)10)	Air cooled	5)	GA90 400V/50Hz			
	1089 9416 07	1	13)14)15)16)18)19)	Air cooled	6)	GA110 400V/50Hz			
	1089 9416 07	2	3)4)7)8)11)12)17)20)	Air cooled	7)	GA132 400V/50Hz			
	1089 9416 07	1		Water cooled	8)	GA160 400V/50Hz			
1150		•	Circuit breaker		9)	GA90 500V/50Hz			
	1089 9416 71	1	1)2)13)14)	Air cooled	10)	GA110 500V/50Hz			
	1089 9416 28	1	5)6)9)10)	Air cooled	11)	GA132 500V/50Hz			
	1089 9416 69	1	15)16)18)19)	Air cooled	12)	GA160 500V/50Hz			
	1089 9416 71	2	3)4)	Air cooled	13)	GA90 220-230V/60Hz			
	1089 9416 28	2	7)8)11)12)	Air cooled	14)	GA110 220-230V/60Hz			
	1089 9416 69	2	17)20)	Air cooled	15)	GA90 380V/60Hz			
	1089 9416 24	1	1)2)3)4)	Water cooled	16)	GA110 380V/60Hz			
	1089 9416 21	1	5)6)7)8)15)16)17)	Water cooled	17)	GA160 380V/60Hz			
	1089 9416 20	1	9)10)11)12)18)19)20)	Water cooled	18)	GA90 440-460V/60Hz			
1155		•	Connection element		19)	GA110 440-460V/60Hz			
	1089 9416 91	1	1)2)13)14)	Air cooled	20)	GA160 440-460V/60Hz			
	1089 9416 91	1	15)16)18)19)	Air cooled	21)	Up to serial No. :			
	1089 9416 06	1	5)6)9)10)	Air cooled		Tot serienummer:			
	1089 9416 91	2	3)4)	Air cooled		T.o.m. tillverkningsnummer:			
	1089 9416 06	2	7)8)11)12)	Air cooled		Bis Seriennummer:			
	1089 9416 91	2	17)20)	Air cooled		Jusqu'au numéro de série:			
	1089 9416 06	1		Water cooled		Hasta el número de serie:			
1160		• 1	Contact block			Fino al numeri di serie:			
	1089 9415 23		1)2)13)14)17)20)			Gælder til følgende serienumre:			
	1089 9415 31		3)4)			Até o número de série:			
						Til følgende serienummer:			
						Seuraavaan valmistusnumeroon asti, No.:			
						AIF-078 299			

40

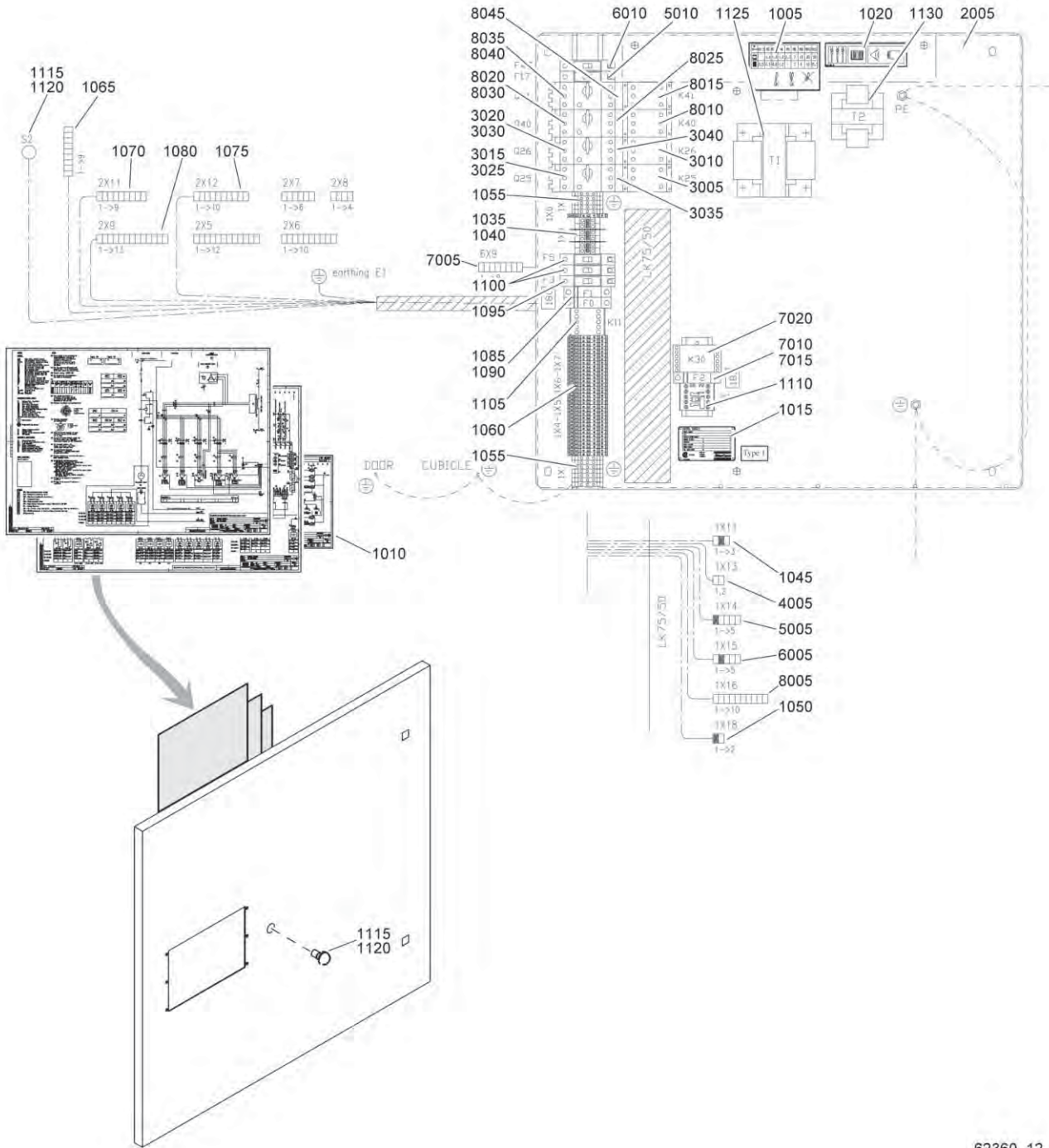


62360_12

Start cubicle, without starter - Control Voltage 230/24V - Full options - 2)

Ref.	Part number	Qty	Name	Remarks	Ref.	Part number	Qty	Name	Remarks
	1900 3127 01	1	Control panel			1089 9416 71		GA132-GA160 220-230V/50-60Hz	
1005	1079 9906 09	• 1	Label			1089 9416 28		GA132-GA160 380-500V/50Hz	
1010	9823 1821 12	• 1	Label			1089 9416 29		GA160 380-460V/60Hz	
1015	1613 6639 00	• 1	Data plate		3025	1089 9416 07	• 1	Contact block	
1020	1079 9901 68	• 1	Label		3030		• 1	Contact block	
1035	1089 0506 06	• 6	Terminal			1089 9416 07		GA132-GA160 220-230V/50-60Hz,	
1040	1089 9398 12	• 1	Terminal					GA132-GA160 380-500V/50Hz,	
1045	1088 0031 03	• 1	Connector					GA160 380-460V/60Hz	
1050	1088 0031 02	• 1	Connector		3035		• 1	Connecting element	
1055	1089 0506 27	• 11	Terminal			1089 9416 91		GA90-160 220-230V/50-60Hz	
1060	1089 9398 11	• 30	Terminal			1089 9416 06		Others	
1065	1088 0031 49	• 1	Connector		3040		• 1	Connecting element	
1070	1088 0031 29	• 1	Connector			1089 9416 91		GA132-GA160 220-230V/50-60Hz	
1075	1088 0031 30	• 1	Connector			1089 9416 06		GA132-GA160 380-500V/50Hz,	
1080	1088 0031 13	• 1	Connector					GA160 380-460V/60Hz	
1085	1089 0612 25	• 2	Fuse			1900 3134 01	1	Option Motor Heater	
1090	1089 0612 01	• 2	Fuse holder		4005	1088 0031 02	• 1	Connector	
1095	1089 9203 11	• 1	Circuit breaker			1900 3134 02	1	Option Condensate Drain	
1100	1089 9203 11	• 2	Circuit breaker		5005	1088 0031 05	• 1	Connector	
1105	1089 9415 17	• 1	Contacto		5010	1089 9203 31	• 1	Circuit breaker	
1110	1089 9438 02	• 1	Relay			1900 3134 03	1	Option Condensate Drain Dryer	
1115	1089 0362 51	• 1	Emergency stop button			6005	1088 0031 05	• 1	Connector
1120	1089 0362 58	• 1	Contact block			6010	1089 9203 31	• 1	Circuit breaker
1125	1089 9436 07	• 1	Trafo					1	Option Phase Sequence Relay
1130	1089 9136 93	• 1	Trafo			1900 3134 04		230-400V	
2005	1614 9110 00	• 1	Mounting plate			1900 3134 05		500V	
	1900 3133 01	1	Option Fan		7005	1088 0031 08	• 1	Connector	
			GA90-GA110 220-230V/50-60Hz		7010	1089 0612 24	• 1	Fuse	
	1900 3133 02		GA132-GA160 220-230V/50-60Hz		7015	1089 0612 01	• 1	Fuse holder	
	1900 3133 03		GA90-GA110 380-500V/50Hz		7020		• 1	Phase sequence relay	
	1900 3133 04		GA132-GA160 380-500V/50Hz			1089 9461 01		230-400V	
	1900 3133 05		GA90-GA110 380-460V/60Hz			1089 9461 03		500V	
	1900 3133 06		GA160 380-460V/60Hz				1	Option Dryer	
	1900 3133 10		GA90 W-GA160 W 220-240V/50-60Hz			1900 3134 20		GA90-GA110 220-240V/50Hz	
	1900 3133 11		GA90 W-GA160 W 380-415V/60Hz			1900 3134 21		GA132-GA160 220-240V/50Hz	
	1900 3133 12		GA90 W-GA160 W 440-500V/50-60Hz			1900 3134 22		GA90-GA110 380-415V/50Hz	
3005		• 1	Contacto			1900 3134 23		GA132-GA160 380-415V/50Hz	
	1089 9415 22		GA90-160 220-230V/50-60Hz			1900 3134 24		GA132-GA160 500V/50Hz	
	1089 9415 12		GA90-160 380-500V/50Hz			1900 3134 25		GA90-GA110 220-230V/60Hz	
	1089 9415 13		GA90-160 380-460V/60Hz			1900 3134 27		GA90-GA110 380V/60Hz,	
	1089 9415 11		GA90 W-GA160 W					GA90-GA110 440-460V/60Hz	
3010		• 1	Contacto			1900 3134 28		GA160 380V/60Hz	
	1089 9415 22		GA132-GA160 220-230V/50-60Hz			1900 3134 29		GA160 440-460V/60Hz	
	1089 9415 12		GA132-GA160 380-500V/50Hz			1900 3134 30		GA90-GA110 500V/50Hz	
	1089 9415 13		GA160 380-460V/60Hz			1900 3134 41		GA90 W-GA110 W 220-240V/50Hz,	
3015		• 1	Circuit breaker					GA160 W 380V/60Hz	
	1089 9416 71		GA90-160 220-230V/50-60Hz			1900 3134 42		GA132 W-GA160 W 220-240V/50Hz	
	1089 9416 28		GA90-160 380-500V/50Hz			1900 3134 43		GA90 W-GA110 W 400V/50Hz,	
	1089 9416 29		GA90-160 380-460V/60Hz					GA90 W-GA110 W 380-415V/50Hz	
	1089 9416 24		GA90 W-GA160 W 220-240V/50-60Hz			1900 3134 44		GA90 W-GA110 W 380V/60Hz,	
	1089 9416 21		GA90 W-GA160 W 380-415V/60Hz						
	1089 9416 20		GA90 W-GA160 W 440-500V/50-60Hz						
3020		• 1	Circuit breaker						

40

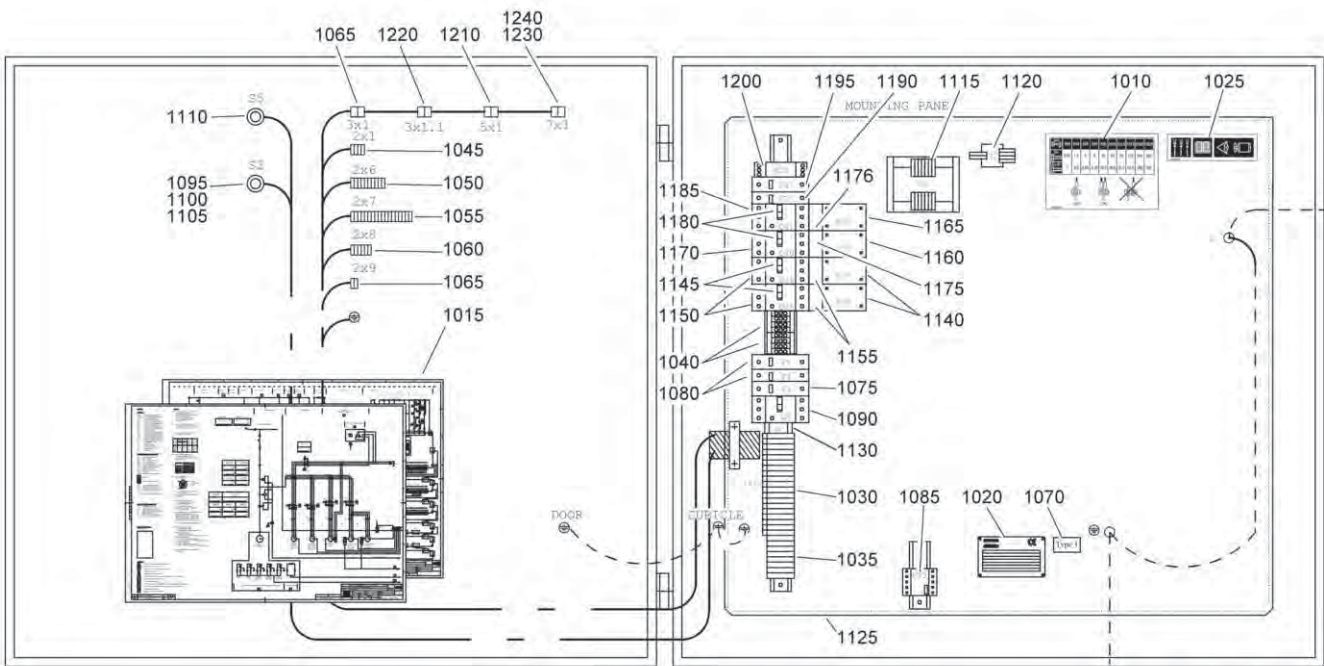


62360_12

Start cubicle, without starter - Control Voltage 230/24V - Full options - 2)

Ref.	Part number	Qty	Name	Remarks	Ref.	Part number	Qty	Name	Remarks
			GA90 W-GA110 W 440-460V/60Hz, GA132 W-GA160 W 400V/50Hz, GA132 W-GA160 W 380-415V/50Hz, GA132 W-GA160 W 500V/50Hz,		8025	1089 9416 90	1	Connecting element GA132(W)-GA160(W) 220-240V/50Hz	
	1900 3134 45		GA90 W-GA110 W 500V/50Hz			1089 9416 91		Others	
	1900 3134 46		GA90 W-GA110 W 220-230V/60Hz		8030	1089 9416 07	1	Contact block	
	1900 3134 47		GA160 W 440-460V/60Hz		8035	1089 9416 07	1	Contact block Aircooled	
8005	1088 0031 10	1	Connector		8040	1089 9416 24	1	Circuit breaker GA90-GA110-GA132-GA160 220-240V/50Hz	
8010	1089 9415 21	1	Contactactor GA90(W)-GA110(W) 380-415V/50Hz, GA90 W-GA110 W 400V/50Hz			1089 9416 21		GA90-GA110-GA132-GA160 380-415V/50Hz	
	1089 9415 22		GA90(W)-GA110(W)-GA132(W)-GA160(W) 500V/50Hz, GA90(W)-GA110(W) 380V/60Hz, GA90(W)-GA110(W) 440-460V/60Hz, GA132(W)-GA160(W) 380-415V/50Hz, GA132 W-GA160 W 400V/50Hz			1089 9416 20		GA90-GA110-GA132-GA160 500V/50Hz	
	1089 9415 23		GA90(W)-GA110(W) 220-240V/50Hz, GA90(W)-GA110(W) 220-230V/60Hz, GA160(W) 380V/60Hz, GA160(W) 440-460V/60Hz			1089 9416 25		GA90-GA110 220-230V/60Hz	
	1089 9415 31		GA132(W)-GA160(W) 220-240V/50Hz		8045	1089 9416 06	1	Connection element Aircooled	
8015	1089 9415 11	1	Contactactor			1900 3134 12	1	Option HAT	
8020	1089 9415 11	1	Aircooled			1900 3134 13	1	Option Energy Recovery	
	1089 9416 69		Circuit breaker GA90(W)-GA110(W) 500V/50Hz			1900 3134 14	1	Option DDP-Filter	
	1089 9416 70		GA90(W)-GA110(W) 380-415V/50Hz, GA90 W-GA110 W 400V/50Hz			1900 3134 15	1	Option PT1000	
	1089 9416 71		GA90(W)-GA110(W) 380V/60Hz, GA90(W)-GA110(W) 440-460V/60Hz, GA132 W-GA160 W 400V/50Hz, GA132(W)-GA160(W) 500V/50Hz, GA132(W)-GA160(W) 380-415V/50Hz			1900 3134 16	1	Option Profibus	
	1089 9416 72		GA160(W) 440-460V/60Hz			1900 3134 17	1	Option Modbus	
	1089 9416 73		GA90(W)-GA110(W) 220-240V/50Hz, GA160(W) 380V/60Hz,		2)			From following serial No. onwards: Geldig vanaf volgend serienummer: Fr.o.m. tillverkningsnummer: Gültig ab Seriennummer: Valable à partir du numéro de série suivant: A partir del siguiente número de serie: Dai seguenti numeri di serie in avanti: Gælder fra følgende serienumre: A partir do número de série: Fra og med følgende serienummer: Alkaen valmistusnumerosta AIF-078 300	
	1089 9416 74		GA90(W)-GA110(W) 220-230V/60Hz,						
	1089 9416 84		GA132(W)-GA160(W) 220-240V/50Hz						

41

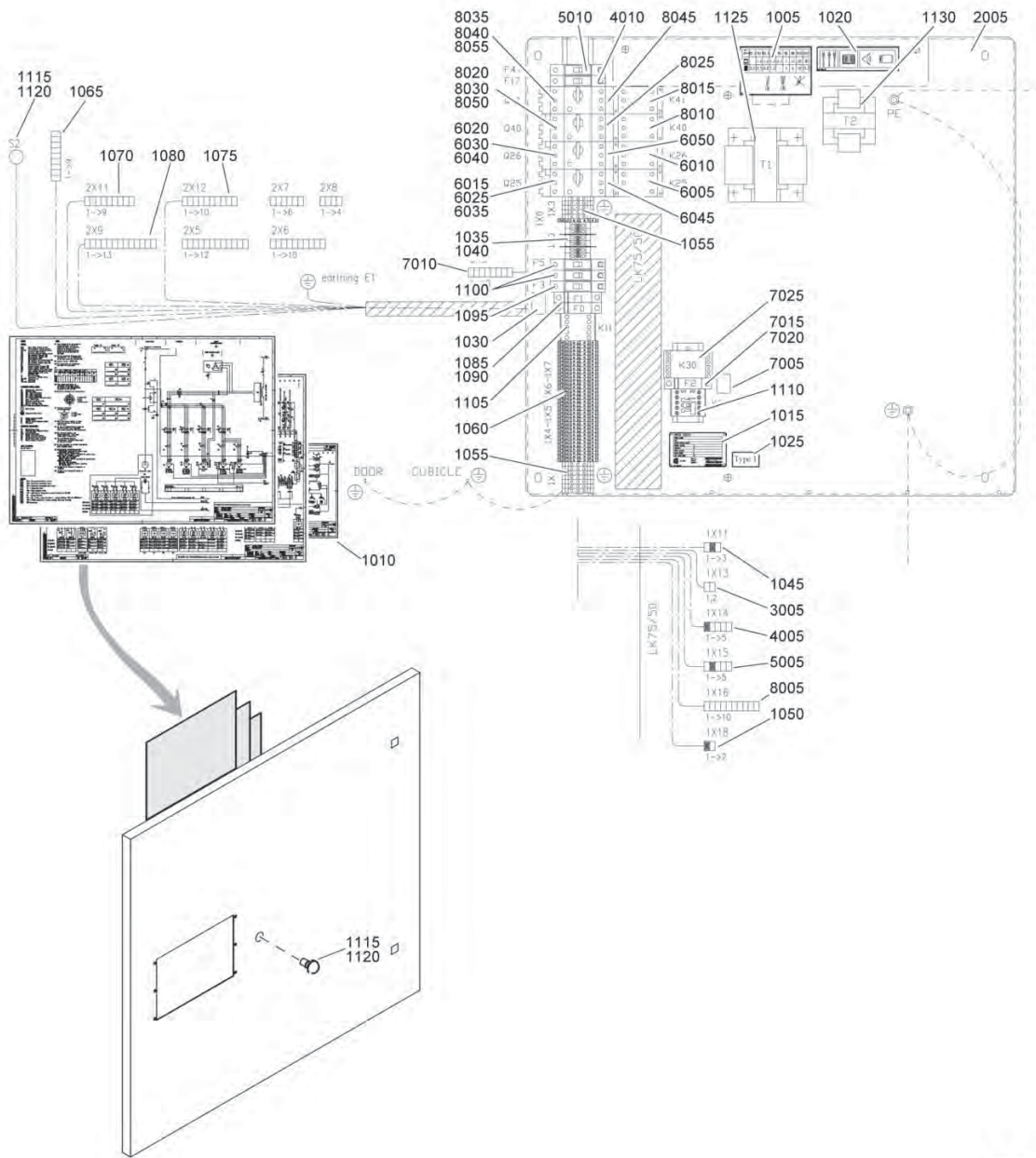


61407_12

Start cubicle, without starter - Control Voltage 115/24V - CSA/UL - Full options - 1)-7)

Ref.	Part number	Qty	Name	Remarks	Ref.	Part number	Qty	Name	Remarks
	1900 3101 01	1	Control panel C,U		1165	1089 9415 14	• 1	Contacteur	Air cooled
			GA90-160 60Hz		1170		• 1	Circuit breaker	
1010	1079 9906 09	• 1	Label			1089 9416 71		1)2)6)	
1015	9823 1821 03	• 1	Label			1089 9416 72		3)	
1020	1613 3046 00	• 1	Data plate			1089 9416 70		4)5)	
1025	1079 9901 68	• 1	Label		1175	1089 9416 91	• 1	Connection element	
1030	1089 9398 11	• 36	Terminal		1176	1089 9416 06	• 1	Connection element	
1035	1089 0506 27	• 10	Terminal					Air cooled	
1040	1089 0506 06	• 6	Terminal		1180		•	Contact block	
1045	1088 0024 04	• 1	Connector			1089 9416 07	2		Air cooled
1050	1088 0024 10	• 1	Connector			1089 9416 07	1		Water cooled
1055	1088 0024 18	• 1	Connector		1185		• 1	Circuit breaker	Air cooled
1060	1088 0000 06	• 1	Connector			1089 9416 22		1)2)3)	
1065	1088 0024 02	• 2	Connector			1089 9416 21		4)5)6)	
1070	1079 9911 01	• 1	Label		1190	1089 9203 31	• 1	Circuit breaker	
1075		• 1	Circuit breaker		1195	1089 9203 31	• 1	Circuit breaker	
1080	1089 9203 36	• 2	Circuit breaker		1200		• 1	Phase sequence relay	
1085	1089 9438 03	• 1	Relay			1089 9461 03		1)2)3)	
1090	1089 9416 23	• 1	Circuit breaker			1089 9461 04		4)5)6)	
1095	1089 0362 50	• 1	Contact block		1210	1088 0024 02	• 1	Connector	COM1 (5x1)
1100	1089 0362 51	• 1	Emergency stop button		1220	1088 0024 02	• 1	Connector	THM (3x1.1)
1105	1089 0362 58	• 1	Contact block		1230	1088 0024 02	• 1	Connector	COM2 (7x1)
1110	1089 9082 24	• 1	Key switch		1240	1088 0024 02	• 1	Connector	PROFIBUS
1115	1089 9436 08	• 1	Transformer					(7x1)	
1120	1089 9436 11	• 1	Transformer						
1125	1614 9110 00	• 1	Mounting plate		1)	GA90 440-460V/60Hz			
1130	1089 9388 01	• 1	Interface relay		2)	GA110 440-460V/60Hz			
1140		•	Contacteur		3)	GA160 440-460V/60Hz			
	1089 9415 24	1	1)2)4)5)	Air cooled	4)	GA90 575V/60Hz			
	1089 9415 24	2	3)6)	Air cooled	5)	GA110 575V/60Hz			
	1089 9415 14	1		Water cooled	6)	GA160 575V/60Hz			
1145		•	Contact block		7)	Up to serial No. :			
	1089 9416 07	1	1)2)4)5)	Air cooled		Tot serienummer:			
	1089 9416 07	2	3)6)	Air cooled		T.o.m. tillverkningsnummer:			
	1089 9416 07	1		Water cooled		Bis Seriennummer:			
1150		•	Circuit breaker			Jusqu'au numéro de série:			
	1089 9416 69	1	1)2)	Air cooled		Hasta el número de serie:			
	1089 9416 67	1	4)5)	Air cooled		Fino al numeri di serie:			
	1089 9416 69	2	3)	Air cooled		Gælder til følgende serienumre:			
	1089 9416 67	2	6)	Air cooled		Até o número de série:			
	1089 9416 21	1	1)2)3)	Water cooled		Til følgende serienummer:			
	1089 9416 20	1	4)5)6)	Water cooled		Seuraavaan valmistusnumeroon asti, No.:			
1155		•	Connection element			AIF-078 299			
	1089 9416 91	1	1)2)4)5)	Air cooled					
	1089 9416 91	2	3)6)	Air cooled					
	1089 9416 06	1		Water cooled					
1160		• 1	Contacteur						
	1089 9415 25		1)2)6)						
	1089 9415 26		3)						
	1089 9415 24		4)5)						

42



62361_12

62361_12

Ref.	Part number	Qty	Name	Remarks	Ref.	Part number	Qty	Name	Remarks
	1900 3128 01	1	Control panel C,U						
	GA90-160 60Hz								
1005	1079 9906 09 •	1	Label		1045	1088 0031 03 •	1	Connector	
1010	9823 1821 12 •	1	Label		1050	1088 0031 02 •	1	Connector	
1015	1614 8949 00 •	1	Data plate		1055	1089 0506 27 •	11	Terminal	
1020	1079 9901 68 •	1	Label		1060	1089 9398 11 •	30	Terminal	
1025	1079 9911 01 •	1	Label		1065	1088 0031 49 •	1	Connector	
1030	1079 9922 70 •	1	Fuse label		1070	1088 0031 29 •	1	Connector	
1035	1089 0506 06 •	6	Terminal		1075	1088 0031 30 •	1	Connector	
1040	1089 9398 12 •	1	Terminal		1080	1088 0031 13 •	1	Connector	
					1085	1089 9168 26 •	2	Fuse	
					1090	1089 0612 01 •	2	Fuse holder	

Start cubicle, without starter - Control Voltage 115/24V - CSA/UL - Full options - 2) 42

Ref.	Part number	Qty	Name	Remarks	Ref.	Part number	Qty	Name	Remarks
1095	1089 9203 38	• 1	Circuit breaker				1	Option Dryer	
1100	1089 9203 36	• 2	Circuit breaker			1900 3134 51		GA90-GA110 440-460V/ 60Hz	
1105	1089 9415 17	• 1	Contacteur			1901 3134 52		GA160 440-460V/60Hz	
1110	1089 9438 03	• 1	Relay			1901 3134 53		GA90-GA110 575V/60Hz	
1115	1089 0362 51	• 1	Emergency stop button			1902 3134 54		GA160 575V/60Hz	
1120	1089 0362 58	• 1	Contact block			1902 3134 61		GA90 W-GA160 W 440- 460V/60Hz,	
1125	1089 9436 08	• 1	Trafo					GA160 W 575V/60Hz	
1130	1089 9436 11	• 1	Trafo					GA160 W 440-460V/60Hz	
2005	1614 9110 00	• 1	Mounting plate			1903 3134 62		GA90 W-GA110 W 575V/ 60Hz	
	1900 3134 01	1	Option Motor Heater			1903 3134 63		GA160 W 440-460V/60Hz	
3005	1088 0031 02	• 1	Connector					GA90 W-GA110 W 575V/ 60Hz	
	1900 3134 02	1	Option Condensate Drain						
4005	1088 0031 05	• 1	Connector		8005	1088 0031 10	• 1	Connector	
4010	1089 9203 31	• 1	Circuit breaker		8010		• 1	Contacteur	
	1900 3134 03	1	Option Condensate Drain Dryer			1089 9415 25		GA90(W)-GA110(W) 440- 460V/60Hz,	
5005	1088 0031 05	• 1	Connector			1089 9415 26		GA160(W) 575V/60Hz	
5010	1089 9203 31	• 1	Circuit breaker			1089 9415 24		GA160(W) 440-460V/60Hz	
	1900 3133 20	1	Option Fan					GA90(W)-GA110(W) 575V/ 60Hz	
	1900 3133 21		GA90-GA110 440-460V/60Hz		8015		• 1	Contacteur	
	1900 3133 22		GA160 440-460V/60Hz			1089 9415 24		GA90-GA110-GA160 440- 460V/60Hz,	
	1900 3133 23		GA90-GA110 575V/60Hz					GA90-GA110-GA160 575V/ 60Hz	
	1900 3133 30		GA160 575V/60Hz						
	1900 3133 31		GA90 W-GA160 W 440-460V/ 60Hz		8020		• 1	Circuit breaker	
6005	1089 9415 24	• 1	Contacteur			1089 9416 71		GA90(W)-GA110(W) 440- 460V/60Hz,	
6010		• 1	Contacteur					GA160(W) 575V/60Hz	
	1089 9415 24		GA160 440-460V/60Hz, GA160 575V/60Hz			1089 9416 72		GA160(W) 440-460V/60Hz	
6015		• 1	Circuit breaker			1089 9416 70		GA90(W)-GA110(W) 575V/ 60Hz	
	1089 9416 69		GA90-GA110-GA160 440- 460V/60Hz		8025	1089 9416 91	• 1	Connecting element	
	1089 9416 67		GA90-GA110-GA160 575V/ 60Hz		8030	1089 9416 07	• 1	Contact block	
	1089 9416 61		GA90 W-GA160 W 440-460V/ 60Hz		8035		• 1	Contact block	
	1089 9416 60		GA90 W-GA160 W 575V/ 60Hz			1089 9416 07		Aircooled	
6020		• 1	Circuit breaker		8040		• 1	Circuit breaker	
	1089 9416 69		GA160 440-460V/60Hz			1089 9416 62		GA90-GA110-GA160 440- 460V/60Hz	
	1089 9416 67		GA160 575V/60Hz			1089 9416 61		GA90-GA110-GA160 575V/ 60Hz	
6025	1089 9416 07	• 1	Contact block		8045		• 1	Connecting element	
6030		• 1	Contact block			1089 9416 91		Aircooled	
	1089 9416 07		GA160 440-460V/60Hz, GA160 575V/60Hz		8050	1089 9416 75	• 1	Connection block	
6035	1089 9416 75	• 1	Connection block				• 1	Connection block	
6040		• 1	Connection block			1089 9416 75		Aircooled	
	1089 9416 75		GA160 440-460V/60Hz, GA160 575V/60Hz			1900 3134 12	1	Option HAT	
6045	1089 9416 91	• 1	Connecting element			1900 3134 13	1	Option Energy Recovery	
6050		• 1	Connecting element			1900 3134 14	1	Option DDP-Filter	
	1089 9416 91		GA160 440-460V/60Hz, GA160 575V/60Hz			1900 3134 15	1	Option PT1000	
		1	Option Phase Sequence Relay			1900 3134 16	1	Option Profibus	
	1900 3134 06		440-460V			1900 3134 17	1	Option Modbus	
	1900 3134 07		575V		2)			From following serial No. onwards:	
7005	1079 9922 78	• 1	Fuse label					Geldig vanaf volgend serienummer:	
7010	1088 0031 08	• 1	Male connector					Fr.o.m. tillverkningsnummer:	
7015	1089 9168 24	• 1	Fuse					Gültig ab Seriennummer:	
7020	1089 0612 01	• 1	Fuse holder					Valable à partir du numéro de série suivant:	
7025		• 1	Watch relay					A partir del siguiente número de serie:	
	1089 9461 03		440-460V					Dai seguenti numeri di serie in avanti:	
	1089 9461 04		575V					Gælder fra følgende serienummer:	
								A partir do número de série:	
								Fra og med følgende serienummer:	
								Fra og med følgende serienummer:	
								Alkaen valmistusnumerosta	
								AIF-078 300	

Ref.	Part number	Qty	Name	Remarks	Ref.	Part number	Qty	Name	Remarks
	2906 0092 00	1	Air/oil filter kit			2906 0563 00	1	Unloading valve kit	
	0653 1046 00 •	1	Flat gasket			0663 2109 71 •	2	O-ring	
	0653 1100 00 •	1	Flat gasket			0663 2109 73 •	2	O-ring	
	0653 1124 00 •	1	Flat gasket			0663 9868 00 •	1	O-ring	
	0661 1000 25 •	2	Seal washer			2906 6021 00 •	1	Piston	
	0661 1000 27 •	3	Seal washer			1614 9156 00 •	1	Spring	
	0661 1000 31 •	1	Seal washer			1619 6142 00 •	1	Seal ring	
	1621 0547 99 •	1	Air filter element			1619 6143 00 •	1	Seal ring	
	1613 6105 90 •	3	Oil filter element						
	2906 0093 00	1	Check valve kit			2906 0566 00	1	Cooler kit for GA 90-160	
	0661 1000 25 •	1	Seal washer			0663 2106 15 •	1	O-ring	
	0663 2106 18 •	1	O-ring			0663 2106 17 •	1	O-ring	
	0663 2106 20 •	1	O-ring			0663 2109 68 •	4	O-ring	
	2254 5324 00 •	1	Check valve						
	2254 8075 00 •	1	Spring			2906 0567 00	1	Cooler kit for GA90-160 W	
						0634 1000 49 •	2	Gasket	
						0663 2106 17 •	2	O-ring	
						0663 2109 68 •	2	O-ring	
	2906 0094 00	1	Oil stop valve kit			2906 0569 00	1	Gearbox overhaul kit	
	0661 1000 25 •	1	Seal washer			0211 1409 00 •	8	Cap screw	
	0663 2106 11 •	2	O-ring(W-unit)			0506 0100 08 •	1	Bearing	
	0663 2106 12 •	1	O-ring			0508 2158 01 •	1	Bearing	
	0663 2106 15 •	1	O-ring			0663 2107 76 •	1	O-ring	
	0663 2108 12 •	1	O-ring			1621 4839 00 •	1	Seal ring	
	0663 2109 68 •	1	O-ring			2252 5478 00 •	1	Bushing	
	2254 9868 00 •	1	Spring						
	2906 0095 00	1	Min. pressure valve kit			2906 0571 00	2	Kit for flexmaster joint on GA 90/110 and GA 90/110 W	
	0663 2106 58 •	1	O-ring			0291 1114 00 •	2	Locknut	
	0665 0700 89 •	1	Sealring			0300 0276 03 •	4	Washer	
	1614 6957 00 •	1	Washer			1614 9115 00 •	2	Rubber joint	
	2254 9215 00 •	1	Lockplate			1614 8926 00 •	4	Absorber	
	2906 0170 00	1	Oil filter kit			2906 0572 00	2	Kit for flexmaster joint on GA 132/160 and GA 132/160 W	
	0653 1046 00 •	1	Flat gasket			0291 1114 00 •	2	Locknut	
	0653 1100 00 •	1	Flat gasket			0300 0276 03 •	4	Washer	
	0653 1124 00 •	1	Flat gasket			1614 9064 00 •	2	Rubber joint	
	0661 1000 25 •	2	Seal washer			1614 8926 00 •	4	Absorber	
	0661 1000 27 •	3	Seal washer						
	0661 1000 31 •	1	Seal washer			2906 0578 00	1	Seal washer kit	
	1613 6105 90 •	3	Oil filter element			0653 0500 08 •	3	Flat Cu Gasket	
						0653 1046 00 •	3	Flat Cu Gasket	
						0653 1062 00 •	12	Flat Cu Gasket	
						0653 1100 00 •	3	Flat Cu Gasket	
						0653 1124 00 •	3	Flat Cu Gasket	
						0653 1165 00 •	3	Flat Cu Gasket	
						0653 1189 00 •	3	Flat Cu Gasket	
						0653 1227 00 •	3	Flat Cu Gasket	
						0653 9078 00 •	3	Flat Cu Gasket	
						0661 1000 25 •	9	Seal washer	
						0661 1000 27 •	12	Seal washer	
						0661 1000 29 •	6	Seal washer	
						0661 1000 31 •	3	Seal washer	
						0661 1000 36 •	3	Seal washer	
	2906 0186 00	1	Compressor element overhaul kit			2906 0751 00	1	Oil separator kit GA 90/110, GA90/110 W	
	0211 1407 00 •	6	Cap screw			0663 2106 17 •	1	O-ring	
	0508 2115 01 •	2	Roller bearing			0663 2109 45 •	2	O-ring	
	0653 1124 00 •	2	Flat gasket			1621 9384 99 •	1	Oil separator element	
	0663 7154 00 •	2	O-ring						
	1079 5081 05 •	2	Bearing						
	1616 5380 00 •	2	Wave spring						
	1616 5603 70 •	2	Spacer						
	1616 6446 00 •	1	Gasket						
	2906 0219 00	1	Exchange element installation kit						
	0211 1409 00 •	3	Cap screw						
	0337 6074 00 •	1	Key driven gear						
	0663 2104 63 •	1	O-ring						
	0663 2106 15 •	1	O-ring						
	0663 2106 20 •	1	O-ring						
	0663 2108 12 •	1	O-ring						
	0663 2109 71 •	1	O-ring						
	0663 2109 71 •	1	O-ring						
	1202 7003 00 •	1	Gasket						

Ref.	Part number	Qty	Name	Remarks
	2906 0571 00 •	1	Flexmaster joint kit	
	2906 0752 00	1	Oil separator kit GA 132/160, GA132/160 W	
	0663 2106 17 •	1	O-ring	
	0663 2109 45 •	2	O-ring	
	1621 9385 99 •	1	Oil separator element	
	2906 0572 00 •	1	Flexmaster joint kit	
	2906 0573 00	1	4000 h maintenance kit for GA90-160 and GA90-160 (W)	
	0661 1000 25 •	1	Seal washer	
	0663 2106 18 •	1	O-ring	
	0663 2106 20 •	1	O-ring	
	2254 8075 00 •	1	Spring	
	2906 0092 00 •	1	Air/oil filter kit	
	2906 0094 00 •	1	Oil stop valve kit	
	2906 0095 00 •	1	Min press valve kit	
	2906 0755 00	1	8000 h maintenance kit for GA90/110 and GA90/110 (W)	
	0663 2107 77 •	1	O-ring	
	1619 7560 00 •	1	Thermostatic valve (7.5-10bar(e))	
	2901 0749 00 •	1	Drain valve kit	
	2906 0092 00 •	1	Air/oil filter kit	
	2906 0093 00 •	1	Check valve kit	
	2906 0094 00 •	1	Oil stop valve kit	
	2906 0095 00 •	1	Min press valve kit	
	2906 0563 00 •	1	Unloading valve kit	
	2906 0751 00 •	1	Oil separator kit	
	2906 0571 00 •	2	Flexmaster joint kit	
	2906 0756 00	1	8000 h maintenance kit for GA132/160 and GA 132/160 (W)	
	0663 2107 77 •	1	O-ring oil filter housing	
	1619 7560 00 •	1	Thermostatic valve (7.5-10bar(e))	
	2901 0749 00 •	1	Drain valve kit	
	2906 0092 00 •	1	Air/oil filter kit	
	2906 0093 00 •	1	Check valve kit	
	2906 0094 00 •	1	Oil stop valve kit	
	2906 0095 00 •	1	Min press valve kit	
	2906 0563 00 •	1	Unloading valve kit	
	2906 0752 00 •	1	Oil separator kit	
	2906 0572 00 •	2	Flexmaster joint kit	

Atlas Copco Stationary Air Compressors

GA90, GA110, GA132, GA160

GA90 W, GA110 W, GA132 W, GA160 W

Parts list

What sets Atlas Copco apart as a company is our conviction that we can only excel in what we do if we provide the best possible know-how and technology to really help our customers produce, grow and succeed.

There is a unique way of achieving that - we simply call it the Atlas Copco way. It builds on **interaction**, on long-term relationships and involvement in the customers' process, needs and objectives. It means having the flexibility to adapt to the diverse demands of the people we cater for.

It's the **commitment** to our customers' business that drives our effort towards increasing their productivity through better solutions. It starts with fully supporting existing products and continuously doing things better, but it goes much further, creating advances in technology through **innovation**. Not for the sake of technology, but for the sake of our customer's bottom line and peace-of-mind.

That is how Atlas Copco will strive to remain the first choice, to succeed in attracting new business and to maintain our position as the industry leader.

