

Page	Description	'T' N°	Page	Description	'T' N°	Page	Description	'T' N°
1	Steerable running gear	T2501	33	High ambient muffler	T2472	55	Option Oil/Air (Aftercooler)	T2481
6	High Speed running gear	T2495	34	Fuel system	T1927	56	Option IQ dual filter	T2482
14	Engine assembly	T2480	35	Cooling system	T1001	57	Option IQ dual filter	T2483
15	Airend assembly	T1916	36	Oil / Air piping	T2243	58	Option Oil/Air (Aftercooler)	T2484
16	Airend assembly	T1002	38	Oil / Air piping	T1944	59	Option – Flashing light	T2485
17	Airend assembly	T1003	39	Oil / Air piping	T2242	60	Option – Spark arrestor	T2486
18	Airend assembly	T2045	40	Oil / Air piping	T2494	61	Option – Overspeed valve	T2487
19	Airend assembly	T2058	41	Regulation system	T1011	62	Option – Worklights	T2489
20	Airend assembly	T1919	43	Regulation system	T1029	63	Option – Service lights	T2490
21	Airend assembly	T2059	44	Regulation system	T1728	64	Option – Dual pressure	T2491
22	Airend pipework	T2478	45	Regulation system	T1013	65	Option – Dual pressure	T2492
23	Airend pipework	T2479	49	Regulation system	T1014	66	Recommended parts	
24	Enclosure	T2245	50	Instrumentation / Electrical system	T1015	67	Glossary of non illustrated items	
26	Enclosure	T1922a	51	Instrumentation / Electrical system	T1016	68	Fasteners index	
27	Foam	T2471	52	Option – pressure reducer	T2268	69	Tube Fittings index	
28	Foam – High ambient	T2469	53	Option – IQ LP	T1017	70	CCN index	
30	Air intake	T1924	54	Option – IQ	T1018			
31	Air intake	T1925						
32	Exhaust system	T1926						

ABBREVIATIONS & SYMBOLS

→#### Up to Serial No.

####→ From Serial No.

Contact Ingersoll–Rand for Serial No.

* Not illustrated

† Option

AR As required

BR Brazil

CN China

DE Germany

DK Denmark

ES Spain

FI Finland

FR France

GB Great Britain (English)

HA High ambient machine

H.S.R.G. High speed running gear

IT Italy

NL Holland

NO Norway

PT Portugal

SE Sweden

S.R.G. Site running gear

US United States

General

This manual, which contains an illustrated parts breakdown, has been prepared as an aid in identifying and ordering parts for the machine. All of the parts, listed in the parts breakdown, are manufactured with the same precision as the original equipment.

Ingersoll–Rand Company service facilities and parts are available worldwide. There are Ingersoll–Rand Company Branch Offices and authorised distributors located in the principle cities of the United States. In Canada, our customers are serviced by the Canadian Ingersoll–Rand Company, Limited. There are also Ingersoll–Rand Company subsidiaries and authorised distributors located in the principle cities throughout the world.

Description

The illustrated parts breakdown identifies the various assemblies, sub-assemblies and detailed parts which make up this machine.

A series of illustrations show each part clearly and in its correct location relative to the other parts in the illustration. Each part in an illustration is referenced with a number. The number, description and quantity needed per assembly are listed in numerical order on the following pages.

How to use this parts manual

1. Locate the desired illustration.
2. Locate the part on the illustration by visual identification and note the reference number.
3. Find the reference number on the tabulated page, along with the Part Number and Description.

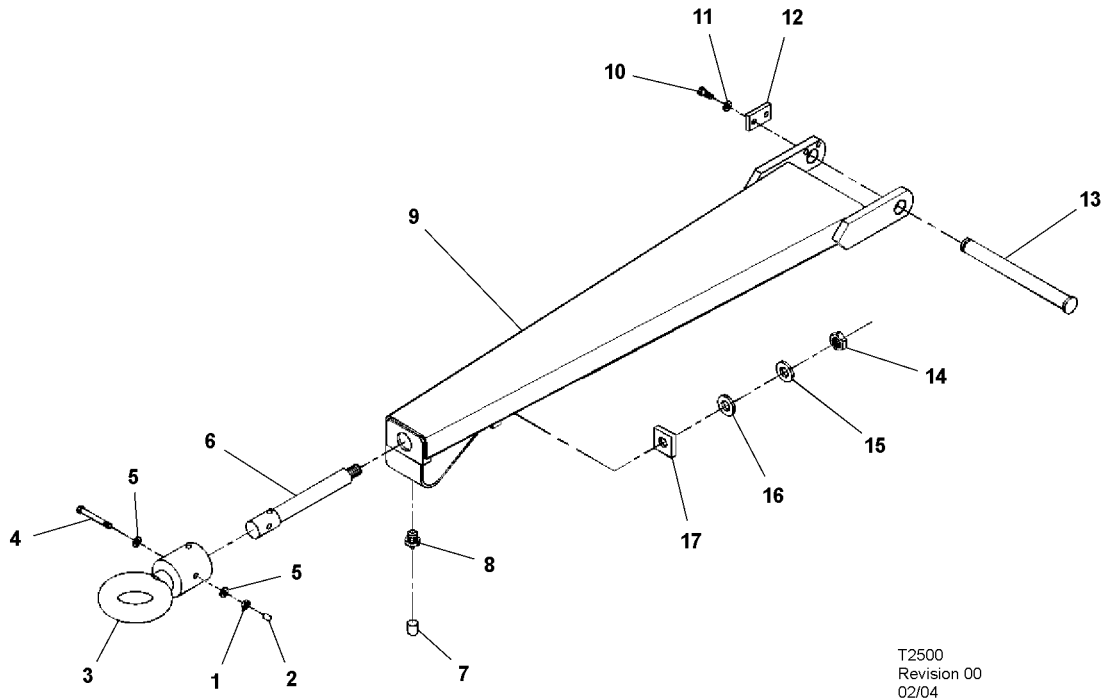
How to order parts

In order that all avoidable errors be eliminated when ordering parts, please specify the following:

1. The model number of the unit as shown on the Compressor Data Plate.
2. The serial number of the unit as shown on the Compressor Data Plate.
3. The part number of this manual.
4. The part number, description and quantity needed exactly as listed.
5. The motor data code shown on the motor data plate.

1

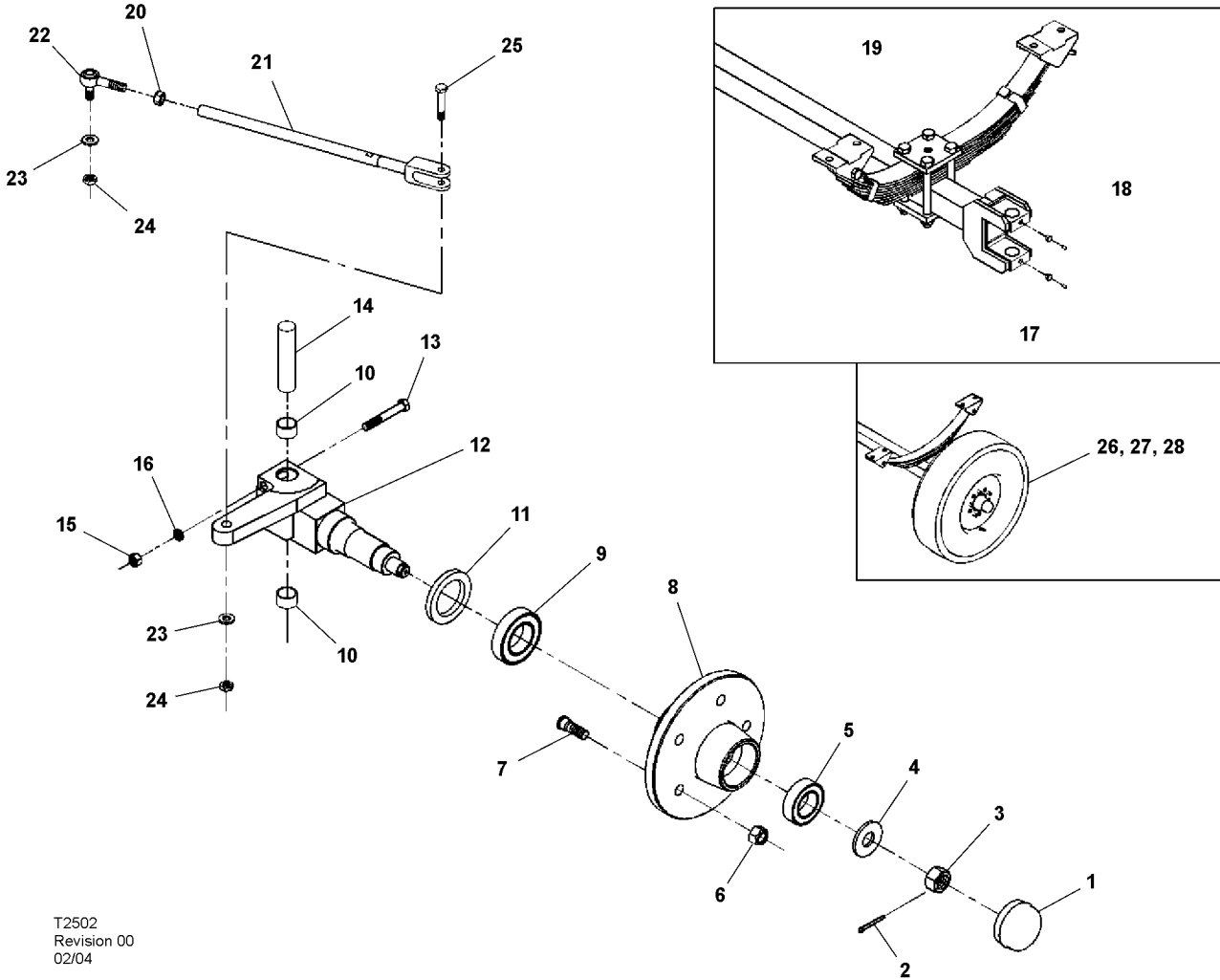
STEERABLE RUNNING GEAR



T2500
Revision 00
02/04

Item	ccn	Qty.	Description	Item	ccn	Qty.	Description
1-17	22407753	1	Drawbar assembly	9	22391759	1	Drawbar
1	22391833	2	Locknut	10	22391890	2	Screw
2	22391841	2	Cap	11	22391882	2	Washer
3	22391809	1	Eye, pintle	12	22391874	1	Plate
4	22391817	2	Screw	13	22391866	1	Pin
5	22391825	4	Washer	14	22391791	1	Locknut
6	22407761	1	Shaft, tow bar	15	22391783	1	Washer
7	22391858	2	Cap, grease fitting	16	22407779	1	Washer
8	22391767	2	Fitting, grease	17	22407787	1	Plate, rotation stop

FRONT AXLE

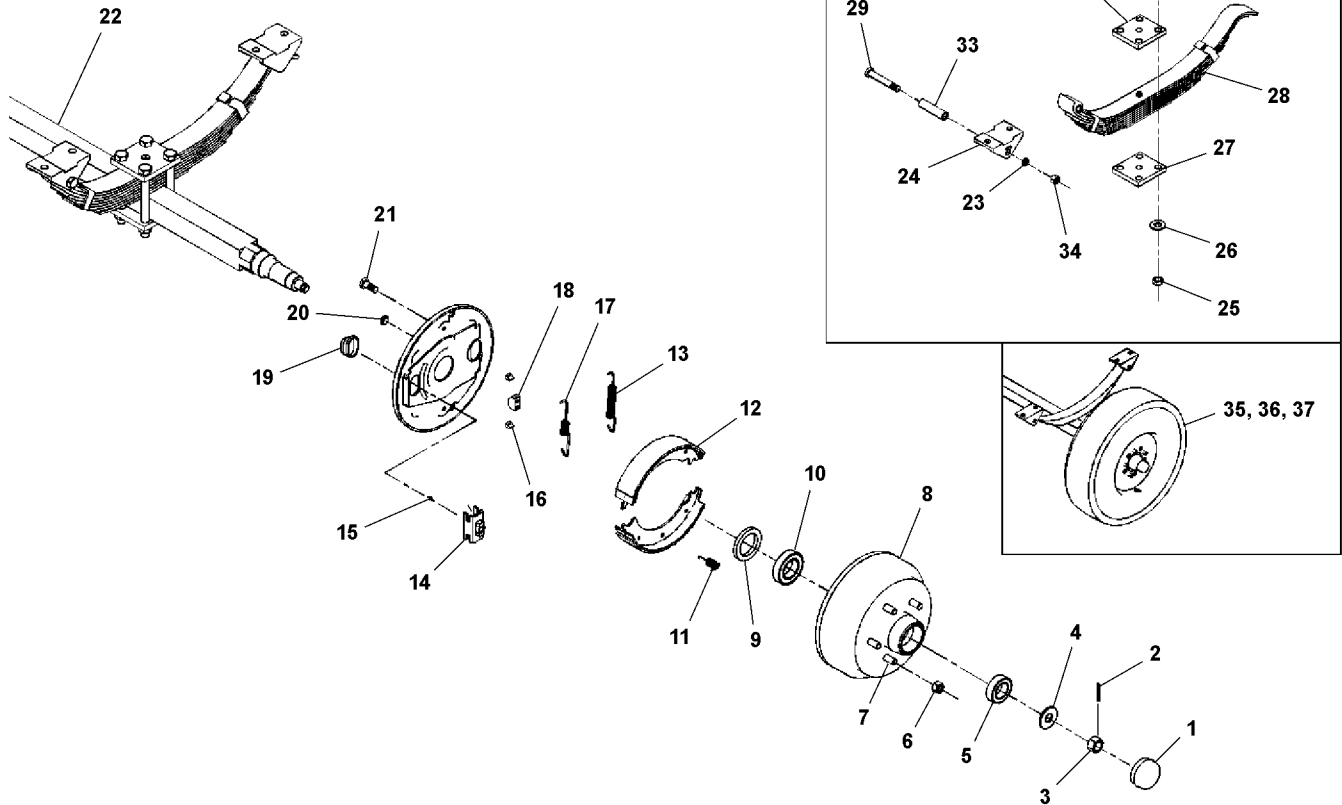


T2502
Revision 00
02/04

Item	ccn	Qty.	Description	Item	ccn	Qty.	Description
1-19	22391726	1	Front axle assembly	15	22392260	2	Locknut
1	22392153	2	Cover, hub	16	22392245	2	Washer
2	22392237	2	Pin, cotter	17	22391858	4	Cap, grease fitting
3	22392146	2	Nut	18	22391767	4	Fitting, grease
4	22392229	2	Washer, hub	19	22392294	1	Beam
5	22392138	2	Bearing, outer	20-22	22391734	1	Track rod assembly
6	22392211	10	Nut, wheel	20	22392385	2	Nut
7	22392203	10	Stud, wheel	21	22392393	2	Rod, track
8	22392120	2	Front hub assembly	22	22392377	2	Pin, ball
9	22392161	2	Bearing, inner	23	22392401	8	Washer
10	22392286	4	Bushing	24	22392419	4	Locknut
11	22392179	2	Seal	25	22392427	2	Screw
12	22392187	1	Left front axle stub	26	22256515	2	Tyre
	22392195	1	Right front axle stub	27	22343545	2	Wheel
13	22392252	2	Screw	28	35148204	2	Stem, valve
14	22392278	2	Pin, king				

3 STEERABLE RUNNING GEAR

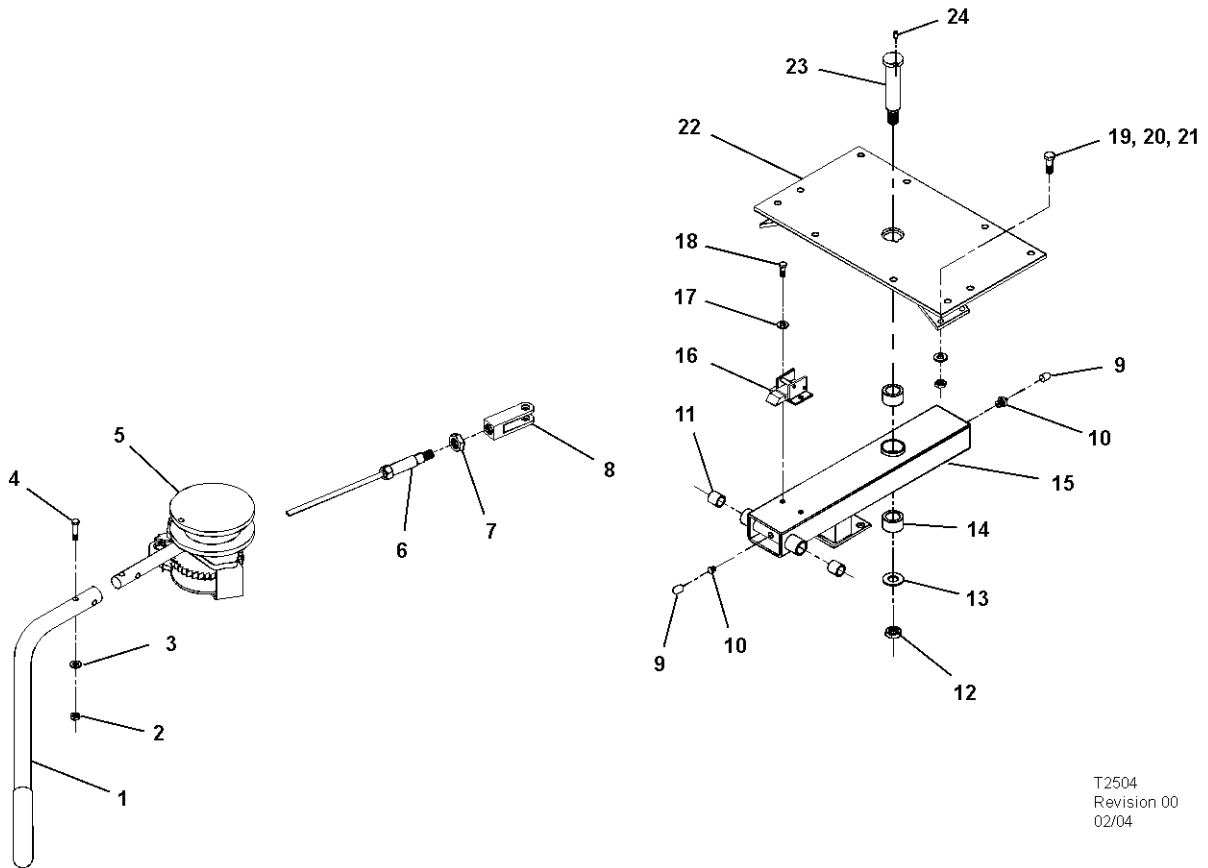
REAR AXLE



T2503
Revision 00
02/04

Item	ccn	Qty.	Description	Item	ccn	Qty.	Description
1-22	22391742	1	Rear axle assembly	19	22392674	2	Cover
1	22392153	2	Cover, hub	20	22392682	4	Plug
2	22392237	2	Pin, cotter	21	22392583	2	Screw
3	22392146	2	Nut	22	22392435	1	Beam, rear axle
4	22392229	2	Washer, hub	23	22392344	4	Washer
5	22392138	2	Bearing, outer	24	22392310	4	Shackle, front
6	22392211	10	Nut, wheel	25	22392112	16	Locknut
7	22392203	10	Stud, wheel	26	22392104	16	Washer
8	22392575	2	Drum, rear brake	27	22392088	4	Spring base, lower
9	22392179	2	Seal	28	22392302	4	Spring, leaf
10	22392161	2	Bearing, inner	29	22392336	4	Screw
11	22392633	4	Spring	30	22392070	4	Spring base, upper
12	22392625	4	Shoe, brake	31	22392096	16	Screw
13	22392617	2	Adjuster	32	22392328	4	Shackle, rear
14	22392658	2	Expander	33	22392369	4	Bushing
15	22392641	2	Holder	34	22392351	4	Locknut
16	22392591	4	Wedge	35	22256515	2	Tyre
17	22392666	2	Spring	36	22343545	2	Wheel
18	22392609	2	Wedge	37	35148204	2	Stem, valve

PARKING BRAKE

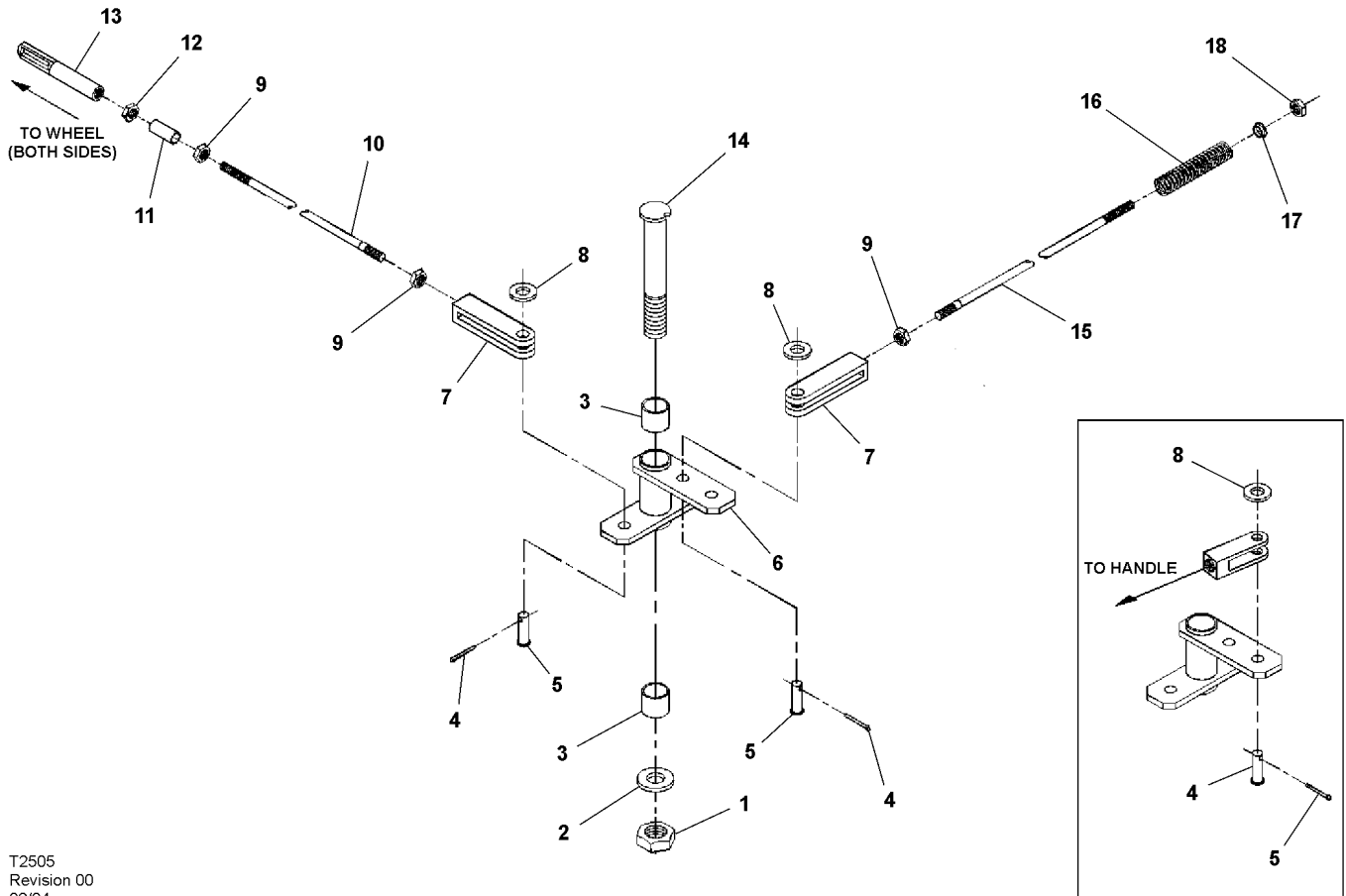


T2504
Revision 00
02/04

Item	ccn	Qty.	Description	Item	ccn	Qty.	Description
1-24	22391718	1	Pintle box assembly	13	22391783	1	Washer
1	22391981	1	Handle, parking brake	14	22391916	1	Bearing, bronze
2	22392013	2	Nut	15	22391932	1	Body
3	22391882	2	Washer	16	22391940	1	Latch
4	22392005	2	Screw	17	22391882	2	Washer
5	22391973	1	Ratchet, brake	18	22391890	2	Screw
6	22391999	1	Cable, brake	19	22392054	3	Screw
7	22392021	1	Nut	20	22392047	3	Washer
8	22392039	1	Yoke	21	22392062	3	Nut
9	22391858	2	Cap, grease fitting	22	22391965	1	Box, pintle
10	22391767	2	Fitting, grease	23	22391957	1	Pin, large
11	22391908	2	Bearing, bronze	24	22391924	1	Pin, small
12	22391791	1	Locknut				

5 STEERABLE RUNNING GEAR

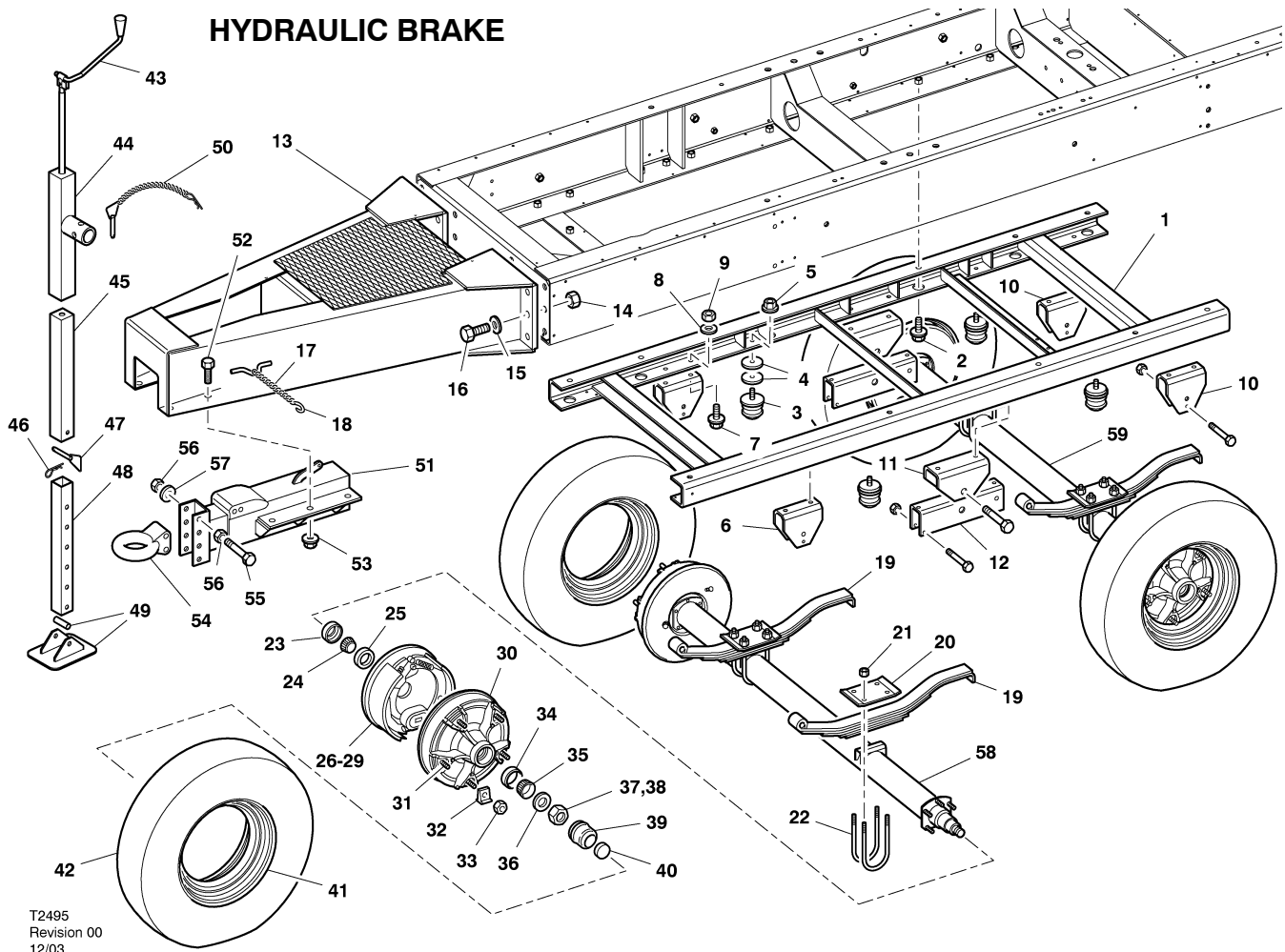
PARKING BRAKE



T2505
Revision 00
02/04

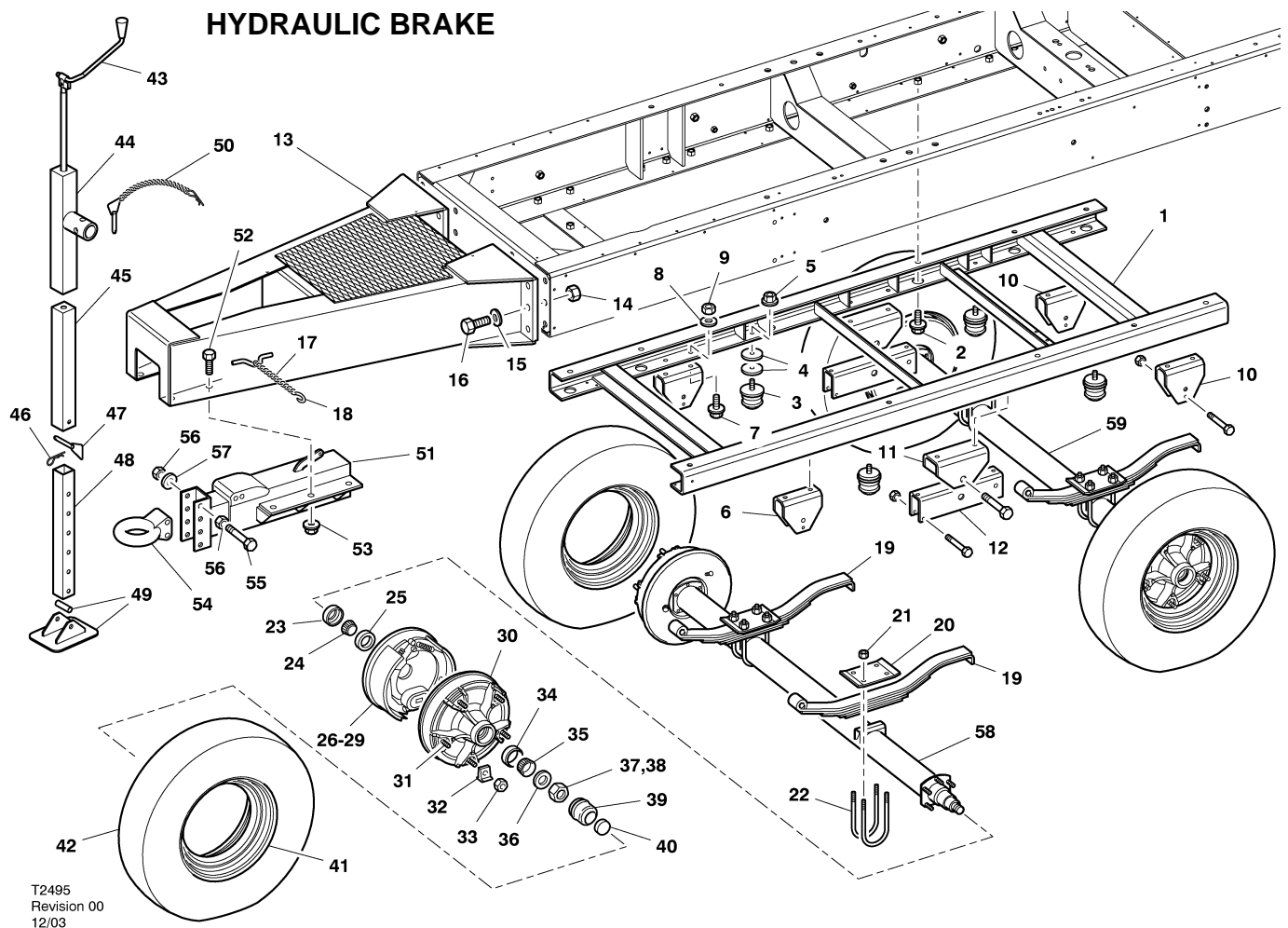
Item	ccn	Qty.	Description	Item	ccn	Qty.	Description
1-18	22391742	1	Rear axle assembly	10	22392534	2	Rod
1	22391833	1	Locknut	11	22392526	2	Nut, adaptor
2	22392443	1	Washer	12	22392062	2	Nut
3	22392500	2	Bearing	13	22392518	2	Hook, safety
4	22392476	3	Pin	14	22392484	1	Pin
5	22392468	3	Pin, cotter	15	22392542	1	Rod
6	22392492	1	Lever	16	22392559	1	Spring
7	22392039	3	Yoke	17	22392567	1	Washer
8	22392450	3	Washer	18	22392260	1	Locknut
9	22392021	6	Nut				

HYDRAULIC BRAKE



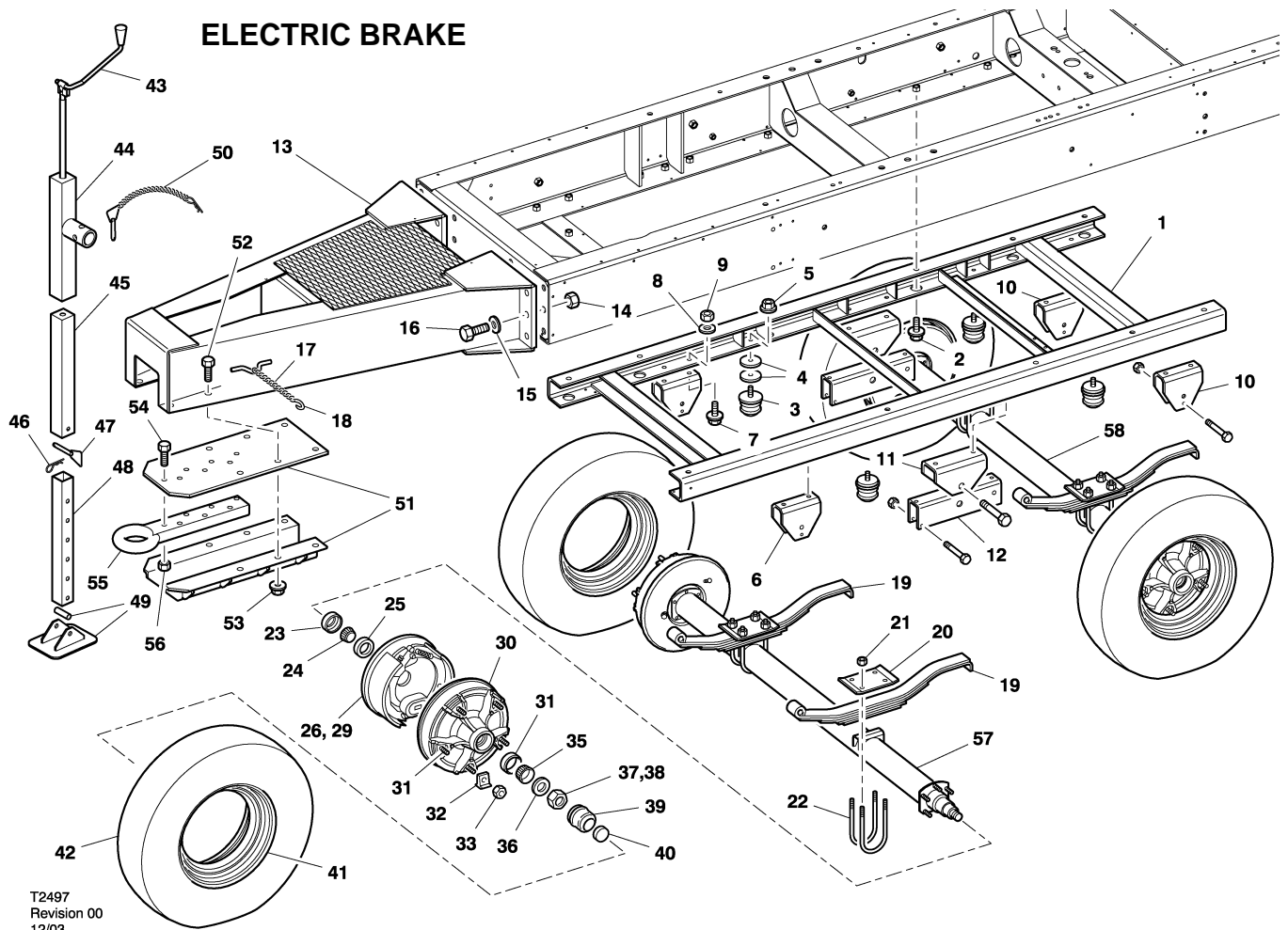
T2495
Revision 00
12/03

Item	ccn	Qty.	Description	Item	ccn	Qty.	Description
1	22163919	1	Subframe	22	35356922	8	Bolt, U
2	36879302	12	Screw	23	40	4	Wheel & Hub assembly
3	54719141	4	Stop, bumper	23	36865962	1	Seal, grease
4	35272996	8	Washer, snubber	24	35316884	1	Bearing cone, inner
5	36879203	4	Nut	25	35316876	1	Bearing cone, inner
6	35326958	2	Hanger, front	26	36895241	1	Brake assembly, left hand
7	36877793	12	Screw		36895258	1	Brake assembly, right hand
8	95935003	12	Washer	27	36895779	1	Brake shoe & lining kit, left hand
9	35304047	12	Nut		36895787	1	Brake shoe & lining kit, right hand
10	36895225	2	Hanger, rear	28	36897851	1	Brake cylinder kit, left hand
11	35326966	2	Hanger, center		36897885	1	Brake cylinder kit, right hand
12	35356930	2	Equalizer	29	36895795	1	Brake spring kit
13	22184675	1	Drawbar	30	22331326	1	Hub assembly
14	35297340	12	Nut	31	22332449	5	Wheel stud
15	95935011	12	Washer	32	22330039	5	Wheel nut clamp
16	96700919	12	Screw	33	22331763	5	Wheel nut
17	35610385	2	Chain	34	35385277	1	Bearing cone, outer
18	35369800	2	Link	35	35385293	1	Bearing cone, outer
19	36385392	4	Spring	36	35356914	1	Spindle washer
20	22222459	4	Plate	37	35315217	1	Spindle nut
21	22222475	16	Nut				



Item	ccn	Qty.	Description	Item	ccn	Qty.	Description
38	22222483	1	Cage, spindle nut	49	36870145	1	Base
39	35379395	1	Grease cap	50	35609544	1	Pin and chain assembly
40	35379387	1	Grease cap plug	51	36734424	1	Actuator, hydraulic surge
41	22319685	4	Wheel	52	35272558	6	Screw
42	22320725	4	Tyre	53	35356526	6	Nut
43-49	36870111	1	Jack, extended leg assembly	54	35605187	1	Pintle eye
43	36870129	1	Crank	55	35376094	2	Screw
44	36870129	1	Tube	56	96701750	4	Nut
45	36870053	1	Tube	57	95935052	2	Washer
46	36870103	1	Clip	58	22320865	1	Axle assembly – Front
47	36870095	1	Pin	59	22320873	1	Axle assembly – Rear
48	36870087	1	Tube				

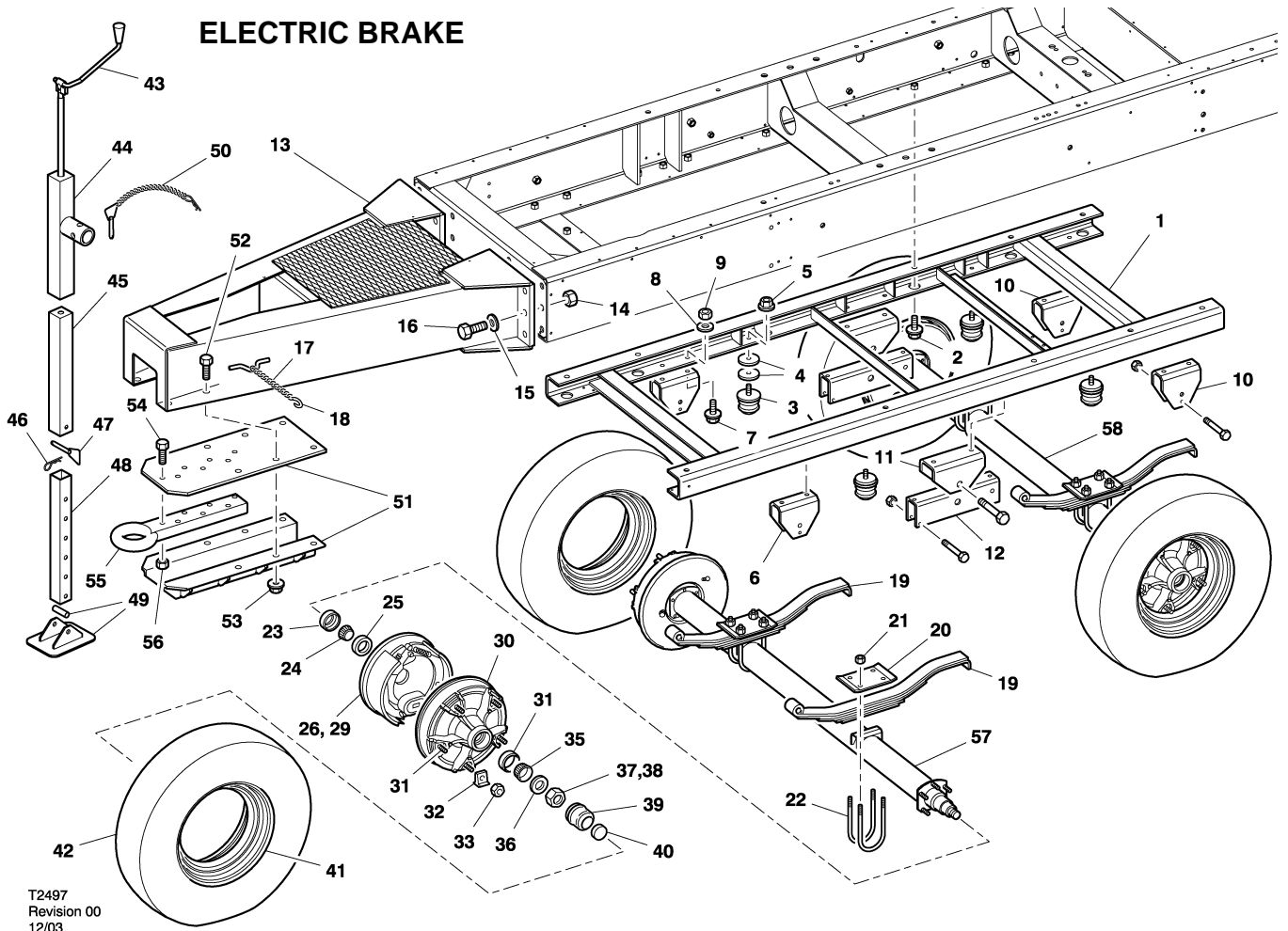
ELECTRIC BRAKE



T2497
Revision 00
12/03

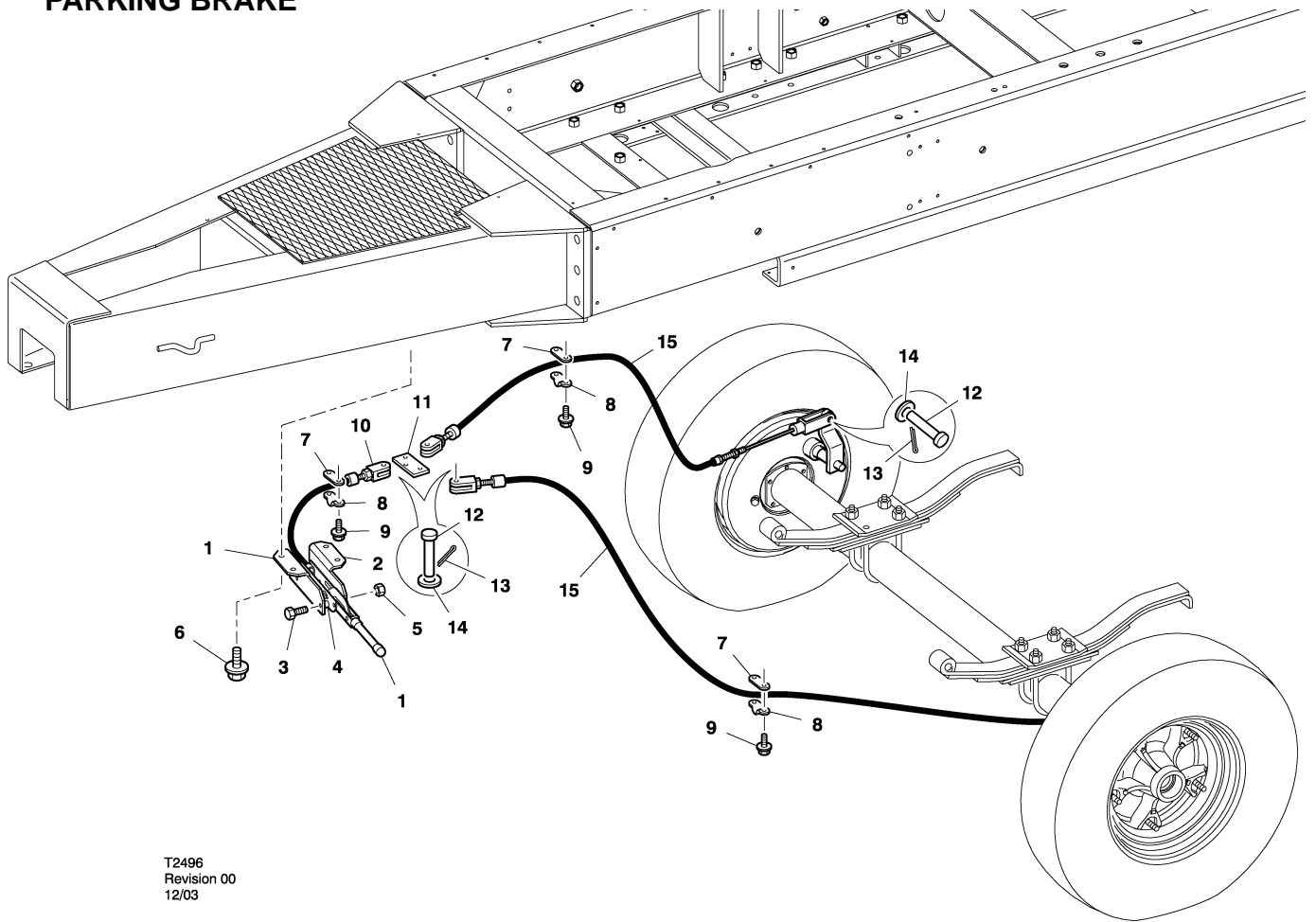
Item	ccn	Qty.	Description	Item	ccn	Qty.	Description
1	22163919	1	Subframe	21	22222475	16	Nut
2	36879302	12	Screw	22	35356922	8	Bolt, U
3	54719141	4	Stop, bumper	23-40		4	Wheel & Hub assembly
4	35272996	8	Washer, snubber	23	36865962	1	Seal, grease
5	36879203	4	Nut	24	35316884	1	Bearing cone, inner
6	35326958	2	Hanger, front	25	35316876	1	Bearing cone, inner
7	36877793	12	Screw	26	36855377	1	Brake assembly, left hand
8	95935003	12	Washer		36855385	1	Brake assembly, right hand
9	35304047	12	Nut	27	36895803	1	Brake shoe and lining kit
10	36895225	2	Hanger, rear	28	36895811	1	Brake magnet kit
11	35326966	2	Hanger, center	29	36895829	1	Brake actuating lever kit, left hand
12	35356930	2	Equalizer		36895837	1	Brake actuating lever kit, right hand
13	22184675	1	Drawbar	30	22331326	1	Hub assembly
14	35297340	12	Nut	31	22332449	5	Wheel stud
15	95935011	12	Washer	32	22330039	5	Wheel nut clamp
16	96700919	12	Screw	33	22331763	5	Wheel nut
17	35610385		Chain	34	35385277	1	Bearing cone, outer
18	35369800		Link	35	35385293	1	Bearing cone, outer
19	36891794	4	Spring	36	35356914	1	Spindle washer
20	22222459	4	Plate	37	35315217	1	Spindle nut

ELECTRIC BRAKE



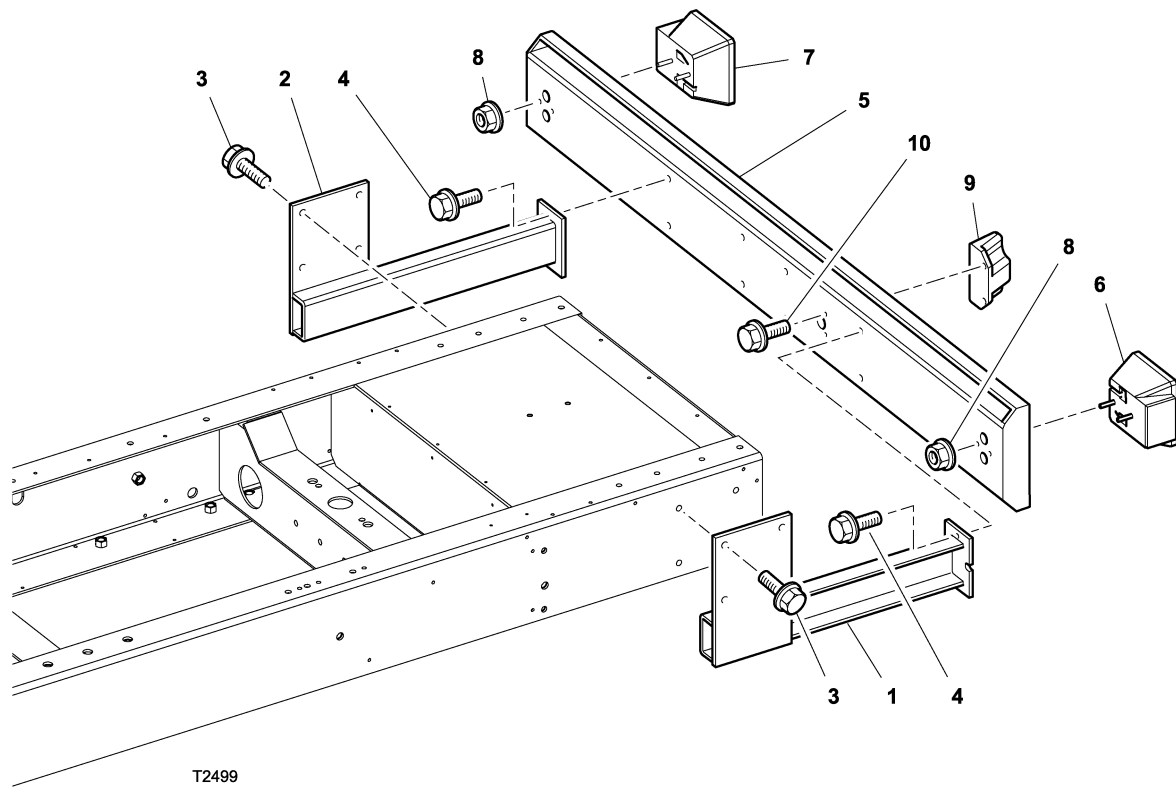
Item	ccn	Qty.	Description	Item	ccn	Qty.	Description
38	22222483	1	Cage, spindle nut	51	36742880	1	Support
39	35379395	1	Grease cap	52	35272558	6	Screw
40	35379387	1	Grease cap plug	53	35356526	6	Nut
41	22319685	4	Wheel	54	95934170	7	Screw
42	22320725	4	Tyre	55	35327840	1	Eye, lunette
43-49	36870111	1	Jack, extended leg assembly	56	35374453	7	Nut
43	36870129	1	Crank	57	22215545	1	Bracket
44	36870129	1	Tube	58	22215552	1	Bracket
45	36870053	1	Tube	59	35859396	1	Handle
46	36870103	1	Clip	60	96735543	2	Nut
47	36870095	1	Pin	61	35288422	2	Screw
48	36870087	1	Tube	62	36880995	4	Screw
49	36870145	1	Base	63	22320865	1	Axle assembly – Front
50	35609544	1	Pin and chain assembly	64	22320873	1	Axle assembly – Rear

PARKING BRAKE



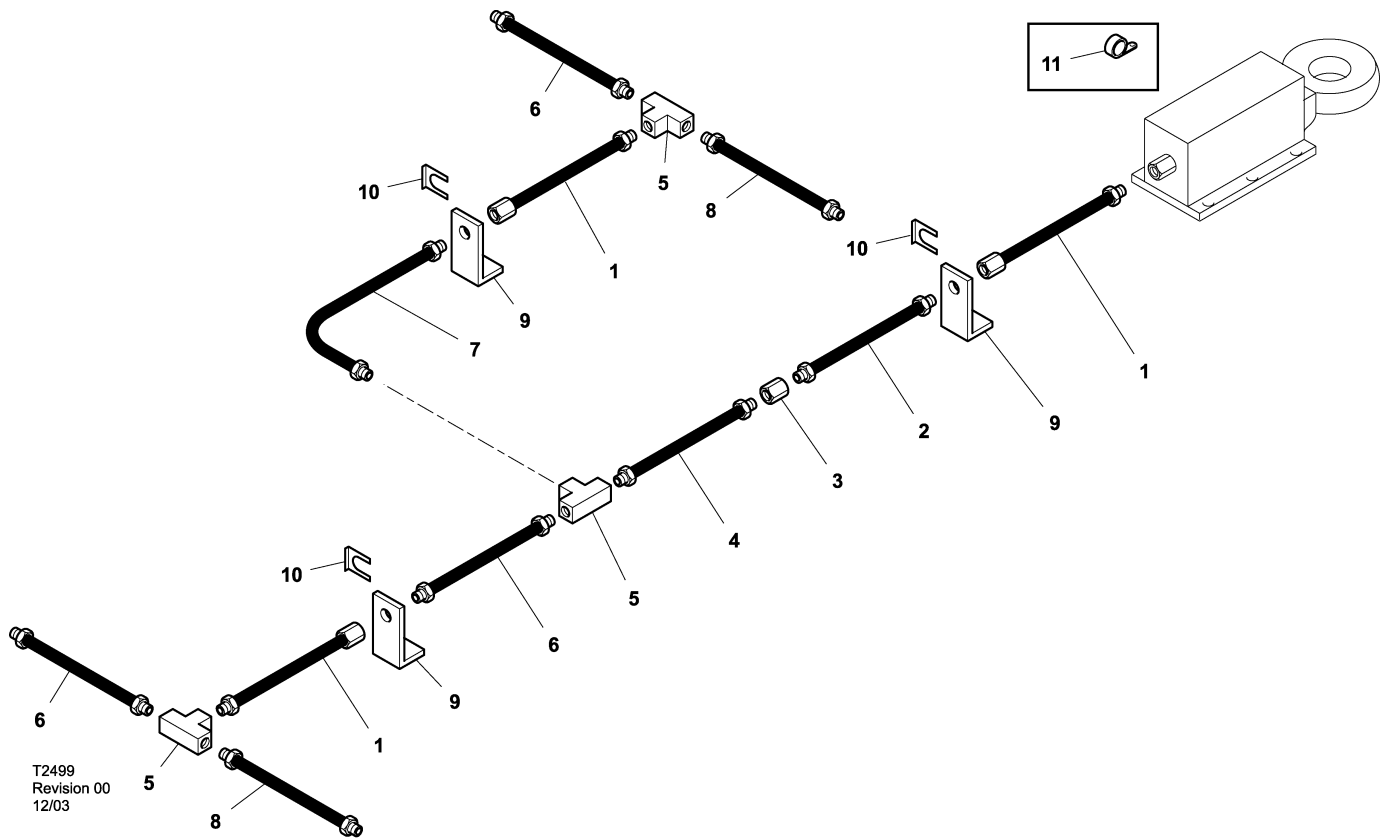
T2496
Revision 00
12/03

Item	ccn	Qty.	Description	Item	ccn	Qty.	Description
1	22215545	1	Bracket, parking brake Left hand	10	35859404	1	Cable
2	22215552	1	Bracket, parking brake Right hand	11	35602846	1	Equalizer bracket
3	35288422	2	Screw	12	35357151	5	Pin
4	35358829	4	Spacer	13	95928867	5	Cotter
5	96735543	2	Nut	14	95934998	5	Washer
6	36880995	4	Screw	15	22349914	2	Cable HSRG with electric brake
7	35602903	3	Spacer	*15	22215057	2	Cable – Not illustrated HSRG with hydraulic brake. Hydraulic parking brake cable does not require items 13,14 and15
8	35602895	3	Clip				
9	35279025	6	Screw				



T2499
Revision 00
12/03

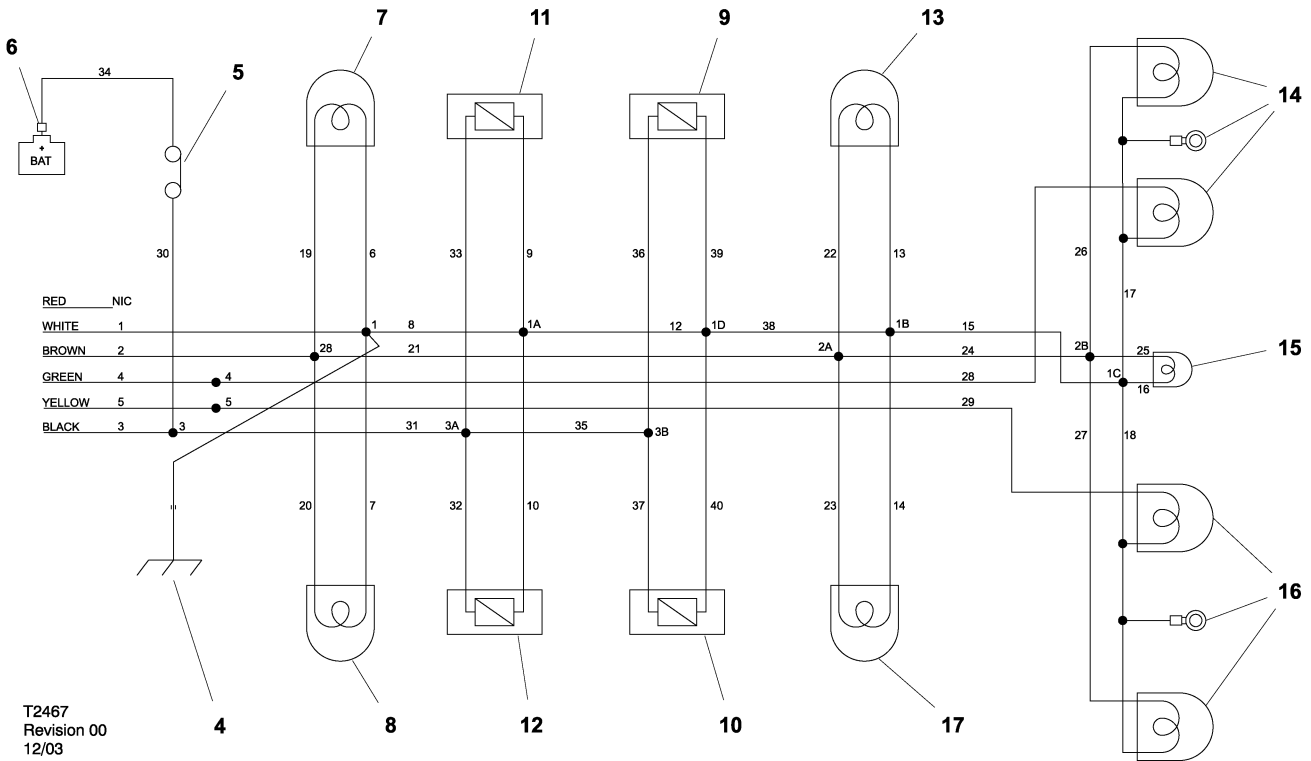
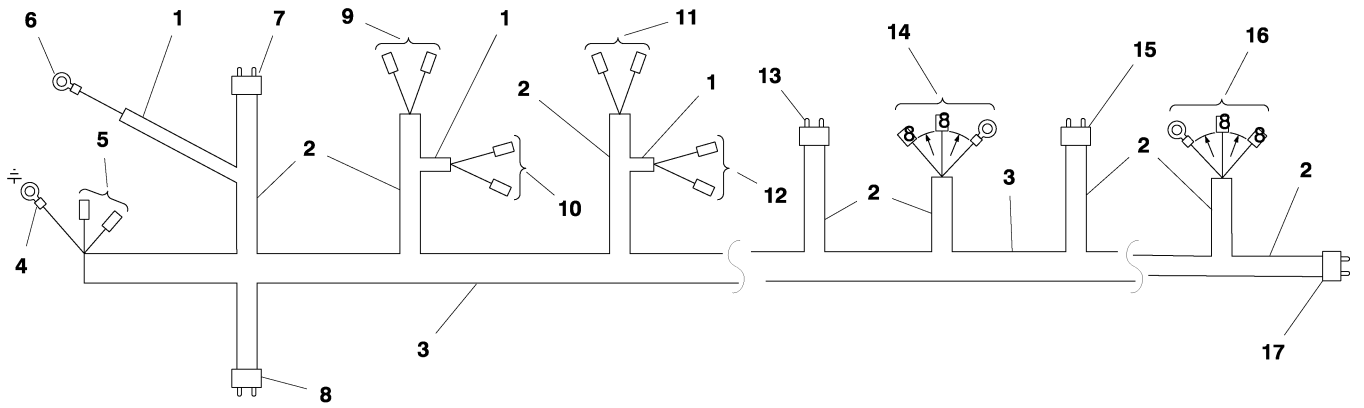
Item	ccn	Qty.	Description	Item	ccn	Qty.	Description
1	22189492	1	Bracket Left hand	6	54671557	1	Light Left hand
2	22189500	1	Bracket Right hand	7	54671557	1	Light Right hand
3	36877793	8	Screw	8	85507911	4	Nut, 6mm
4	36879492	4	Screw	9	36895860	1	Light
5	22207997	1	Bar, bumper	10	36782837	2	Screw



Item	ccn	Qty.	Description	Item	ccn	Qty.	Description
1	35356369	3	Hose	7	36881290	1	Tube
2	36894699	1	Tube	8	35336419	2	Tube
3	35356336	1	Connector	9	35356310	3	Bracket
4	36867281	1	Tube	10	35356302	3	Clip, hose
5	35356328	3	Tee	11	37001252	3	Clip, tube
6	36894673	3	Tube				

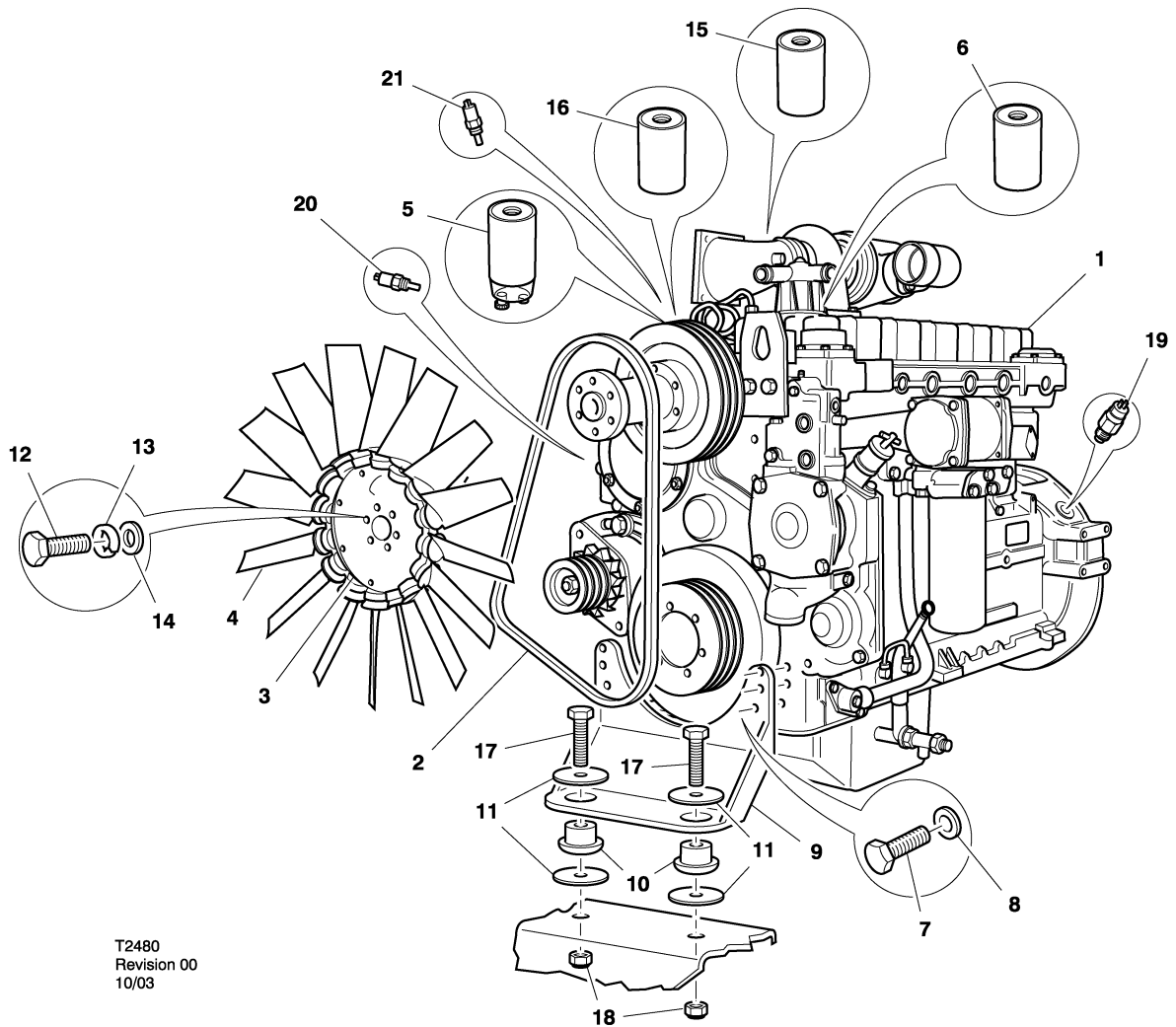
13

HIGH SPEED RUNNING GEAR



T2467
Revision 00
12/03

Item	ccn	Qty.	Description	Item	ccn	Qty.	Description
1-3	22306633	1	Harness	10		1	Brake A Left hand
1	NSS	1	Conduit (13mm)	11		1	Brake B Right hand
2	NSS	1	Conduit (9mm)	12		1	Brake B Left hand
3	NSS	1	Conduit (6mm)	13	35367044	1	Light, side Right hand, rear
4		1	Ground point connection	13a	36893634	1	Grommet
5	35315944	1	Switch, Breakaway	14	54691557	1	Light, rear Right hand
6		1	Battery connection	15	36895860	1	Light, license plate
7	35367051	1	Light, side Right hand, front	16	54671557	1	Light, rear Left hand
7a	36893634	1	Grommet	17	35367044	1	Light, side Rear Left hand
8	35367051	1	Light, side Left hand, front	17a	36893634	1	Grommet
8a	36893634	1	Grommet				
9		1	Brake A Right hand				

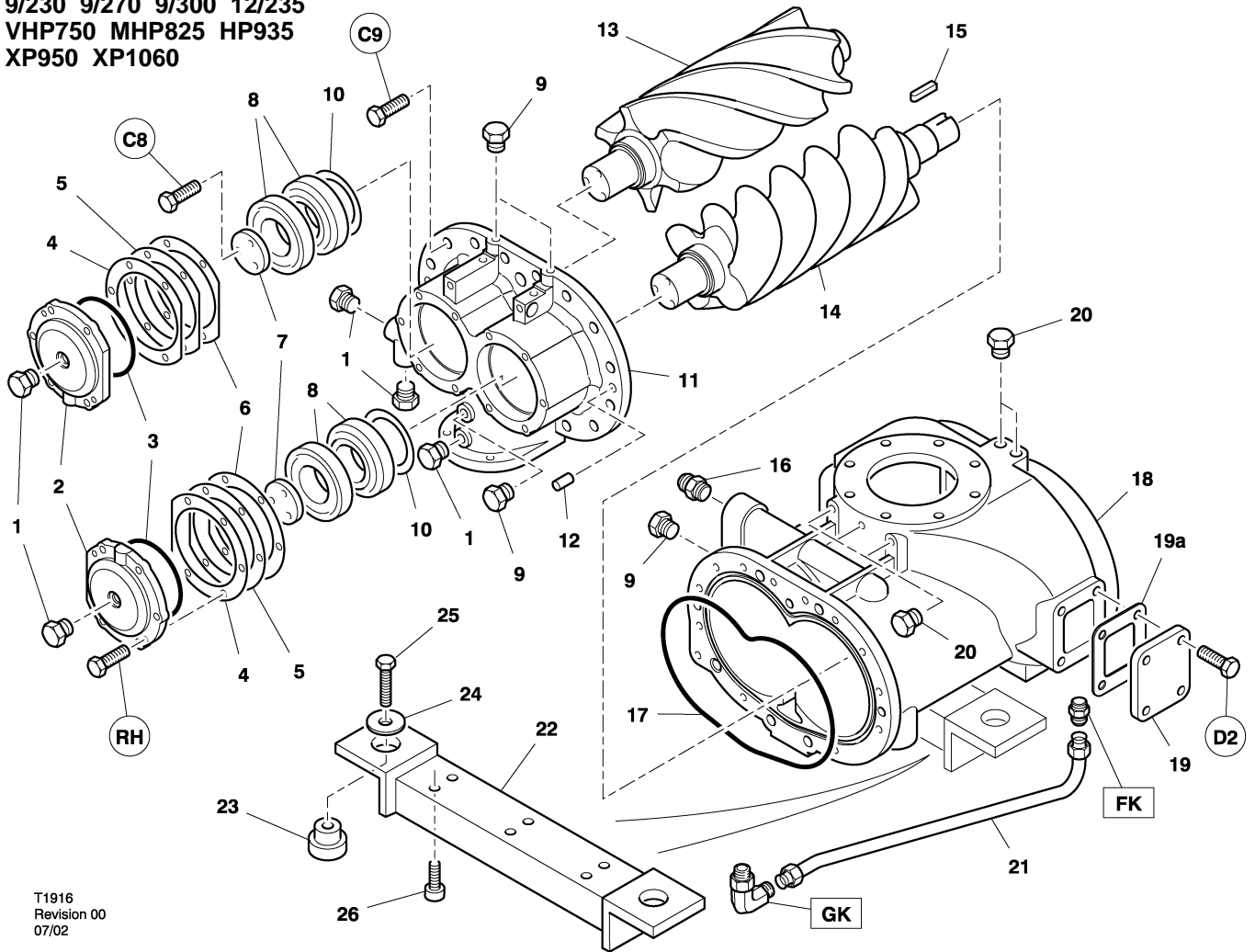


T2480
Revision 00
10/03

Item	ccn	Qty.	Description	Item	ccn	Qty.	Description
1	22053441	1	Engine 335hp XP1060, XHP750, SHP825	10	92062157	2	Mount
1	22053458	1	Engine 300hp XP950, VHP750, MHP825, XHP650	11	35609874	4	Washer, snubber
2	22377675	1	Set, belts	12	35271154	6	Screw
3	54763495	1	Fan	13	92304674	6	Lockwasher
4	NSS	16	Blade, fan	14	95935037	6	Washer
5	22090534	1	Element, fuel filter (Primary Filter)	15	22351654	1	Element, coolant condition
6	22284376	1	Element, fuel filter (Secondary Filter)	16	35362235	1	Filter,oil
7	96704283	6	Screw	17	92311703	1	Screw
8	95935003	6	Washer	18	92311695	1	Locknut
9	22097646	1	Engine front mount	19	36785319	1	Mag speed pickup
				20	36870608	1	Sending unit, engine oil pressure gage
				21	36841138	1	Sending unit, engine coolant temperature

15 AIREND ASSEMBLY

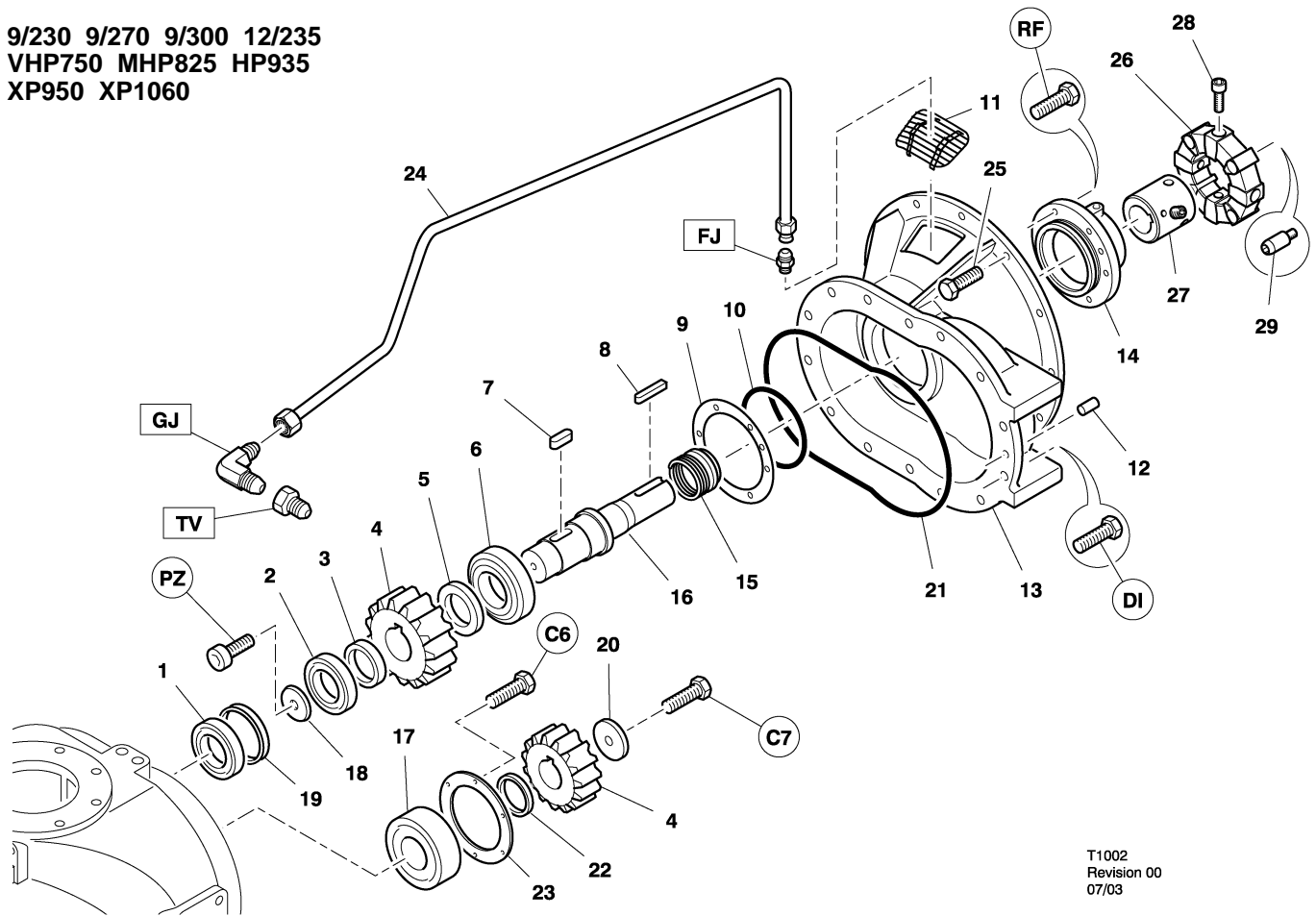
9/230 9/270 9/300 12/235
 VHP750 MHP825 HP935
 XP950 XP1060



T1916
 Revision 00
 07/02

Item	ccn	Qty.	Description	Item	ccn	Qty.	Description
1-20	42437525	1	Airend (bare)	13-14	36005031	1	Rotor set
1	95938213	5	Plug	15	35361310	1	Key
2	39891486	2	Cover	16	89209717	1	Connector
3	95023388	2	'O' Ring	17	39253984	1	'O' Ring
4	39326780	4	Shim	18	39889720	1	Housing
5	39326798	6	Shim	19	39326756	2	Cover
6	39326806	4	Shim	19a	39925367	2	Gasket
7	39436977	2	Retainer	20	95938205	8	Plug
8	39437686	4	Bearing	21	39911284	1	Tube assembly
9	39330626	5	Orifice	22	22075592	1	Bracket
10	35299361	2	Shim set	23	92894518	2	Mount
11	39890553	1	Housing	24	35273937	2	Washer
12	35295336	2	Pin, locating	25	92495597	2	Bolt
				26	35358274	4	Screw

9/230 9/270 9/300 12/235
 VHP750 MHP825 HP935
 XP950 XP1060



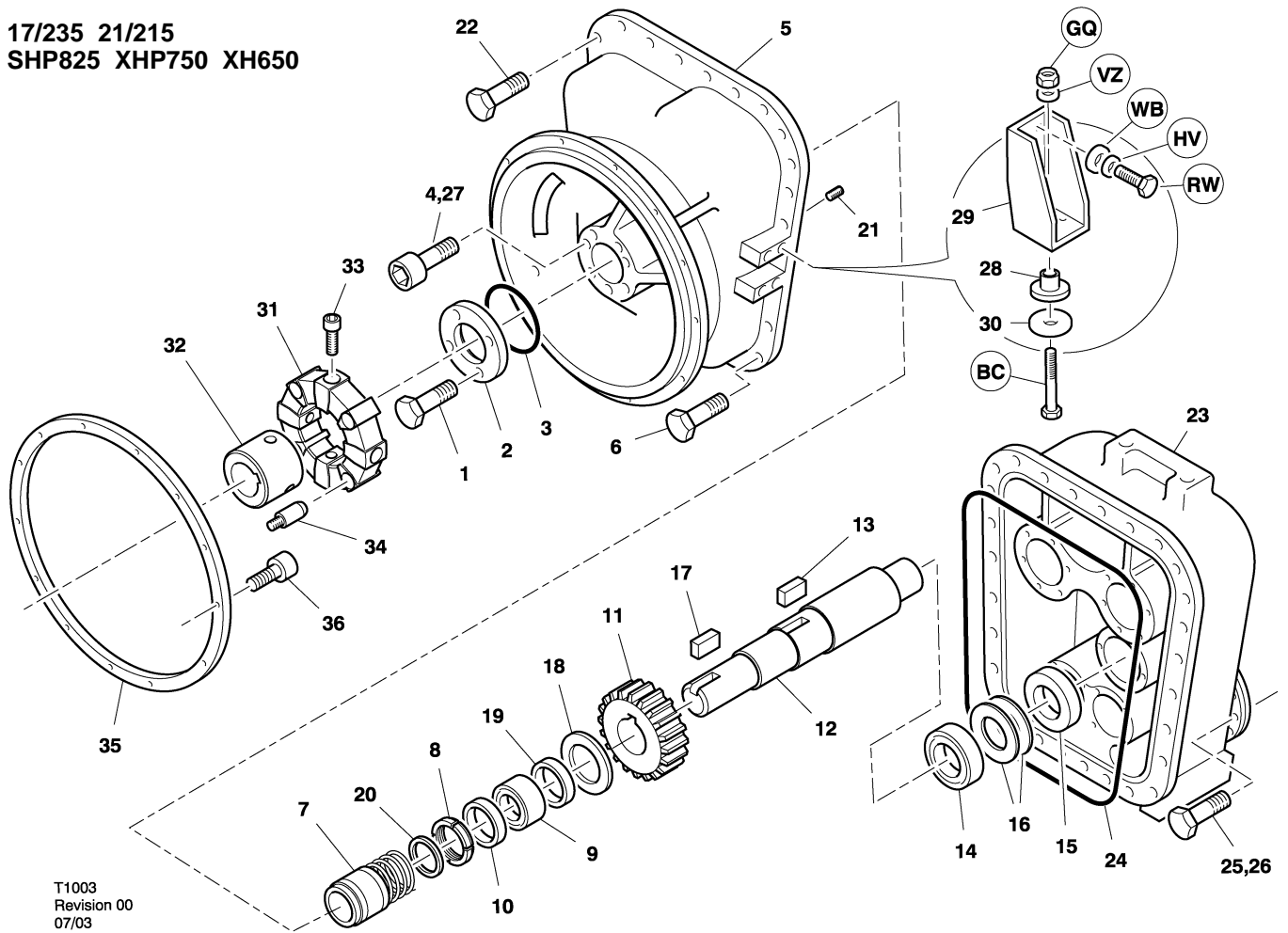
T1002
 Revision 00
 07/03

Item	ccn	Qty.	Description	Item	ccn	Qty.	Description
1	35313568	1	Bearing	15	35593508	1	Seal, shaft
2	36854925	1	Bearing	16	36846400	1	Shaft
3	36851618	1	Spacer	17	39322706	1	Bearing
4			Gear-set (Refer to table)	18	36764785	1	Cap
5	36846418	1	Spacer	19	35262963	1	Spacer
6	36846426	1	Bearing	20	35255819	1	Clamp
7	35361328	1	Key	21	39253992	1	'O' Ring
8	35364975	1	Key	22	39326483	1	Spacer
9	36846442	1	Shim	23	39326749	1	Ring, retaining
10	95358164	1	'O' Ring	24	39911292	1	Tube assembly
11	36798361	1	Guard Top	25	36880995	12	Screw
11a	36798346	1	Guard Bottom	26-28	54400031	1	Coupling assembly
12	95239927	2	Pin, locating	26	92041441	1	Couplingelement
13	36851459	1	Gearcase	27	54400049	1	Hub
14	36507515	1	Cover	28	92041466	4	Bolt
				29	92041458	4	Pin

Model		Gear set	Airend complete including gears
9/230	-	36740546	42437590
9/270	XP950	36893378	42455378
9/300	XP1060	93488732	42455345
12/235	MHP825	36740546	42437590
-	HP935	36893360	42455337
-	VHP750	35334853	42437582

17 AIREND ASSEMBLY

17/235 21/215
SHP825 XHP750 XH650

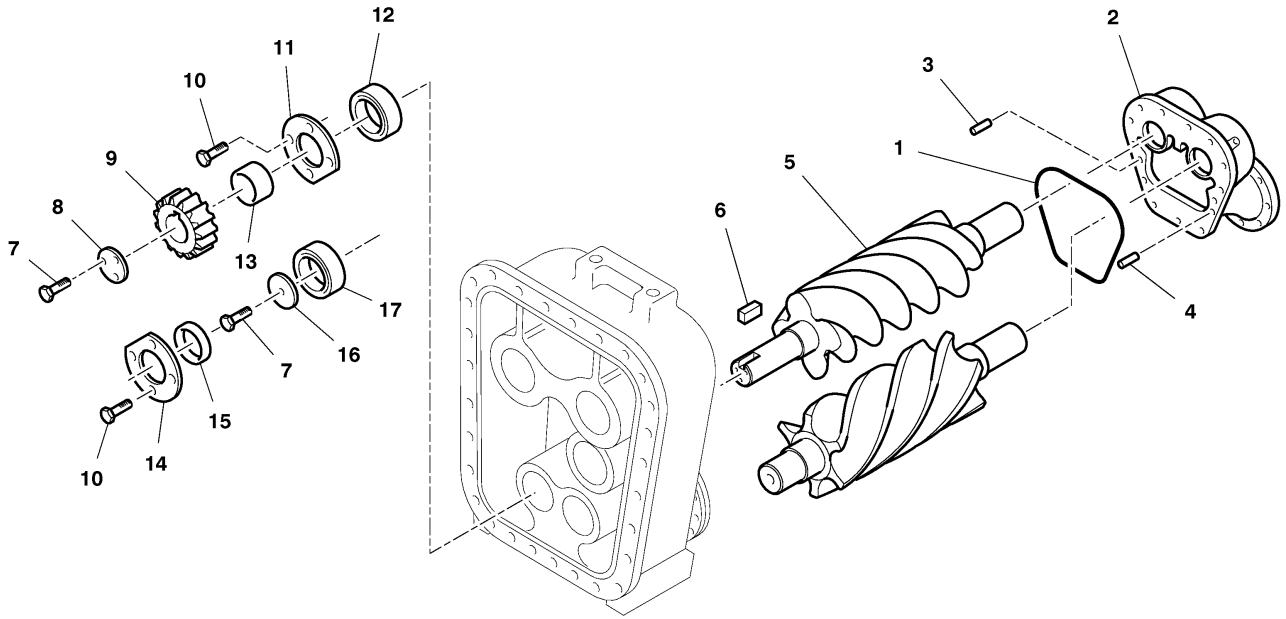


T1003
Revision 00
07/03

Item	ccn	Qty.	Description	Item	ccn	Qty.	Description
1	92304435	4	Bolt	23	36737161	1	Housing
2	35856467	1	Cover	24	35355775	1	'O' Ring
3	95022372	1	'O' Ring	25	35271139	1	Bolt
4	35361286	3	Bolt	26	35272533	1	Bolt
5	36750909	1	Gearcase	*27	39101449	4	Plug
6	35318146	18	Bolt	28	92894518	2	Mount
7	36865772	1	Seal	29	22075279	1	Bracket RH
8	35104082	1	Locknut	*29a	22075287	1	Bracket LH
9	35610195	1	Bearing	30	35273937	2	Washer, snubber
10	35372002	1	Spacer	31-33	22362933	1	Coupling assembly
11			Gear-set (Refer to table)	31	92041441	1	Couplingelement
12	36504116	1	Driveshaft	32	22362941	1	Hub
13	35355809	1	Key	33	92041466	4	Bolt
14	35610203	1	Bearing	34	92041458	4	Pin
15	35372010	1	Spacer	35	22065973	1	Plate, adaptor
16	35372028	1	Shim set	36	36880995	12	Screw
17	92707801	1	Key				
18	35610153	1	Plate, retaining				
19	35371996	1	Spacer				
20	35337583	1	Spacer				
21	35336122	1	Pin, locating				
22	35272541	1	Bolt				

Model		Airend complete including gears	Gear set
21/215	XHP750	35096205	36763183
17/235	SHP825	35086354	36746428
-	XHP650	35086859	36746410

17/235 21/215
 SHP825 XHP750 XH650



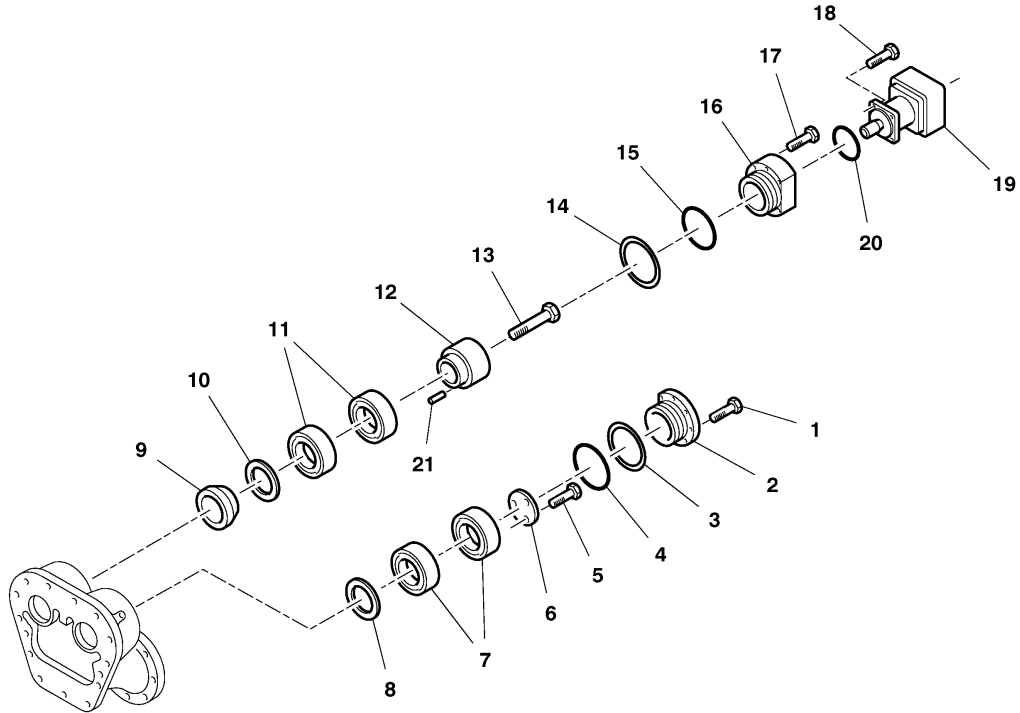
T2045
 Revision 00
 10/92

Item	ccn	Qty.	Description	Item	ccn	Qty.	Description
1	35355791	1	'O' Ring	12	35600022	1	Bearing
2	36738128	1	Housing	13	35355866	1	Spacer
3	35336122	1	Dowel	14	35355999	1	Plate, retaining
4	35336130	1	Dowel	15	35355973	1	Spacer
5	36006732	1	Rotor set	16	35300201	1	Plate
6	35355817	1	Key	17	35600014	1	Bearing
7	35311463	4	Bolt				
8	35300193	1	Plate				
9			Gear-set (Refer to table)				
10	35273408	8	Bolt				
11	35355965	1	Plate, retaining				

Model		New Airend including gears	Gear set
21/215	XHP750	35096205	36763183
17/235	SHP825	35086354	36746428
-	XHP650	35086859	36746410

19 AIREND ASSEMBLY

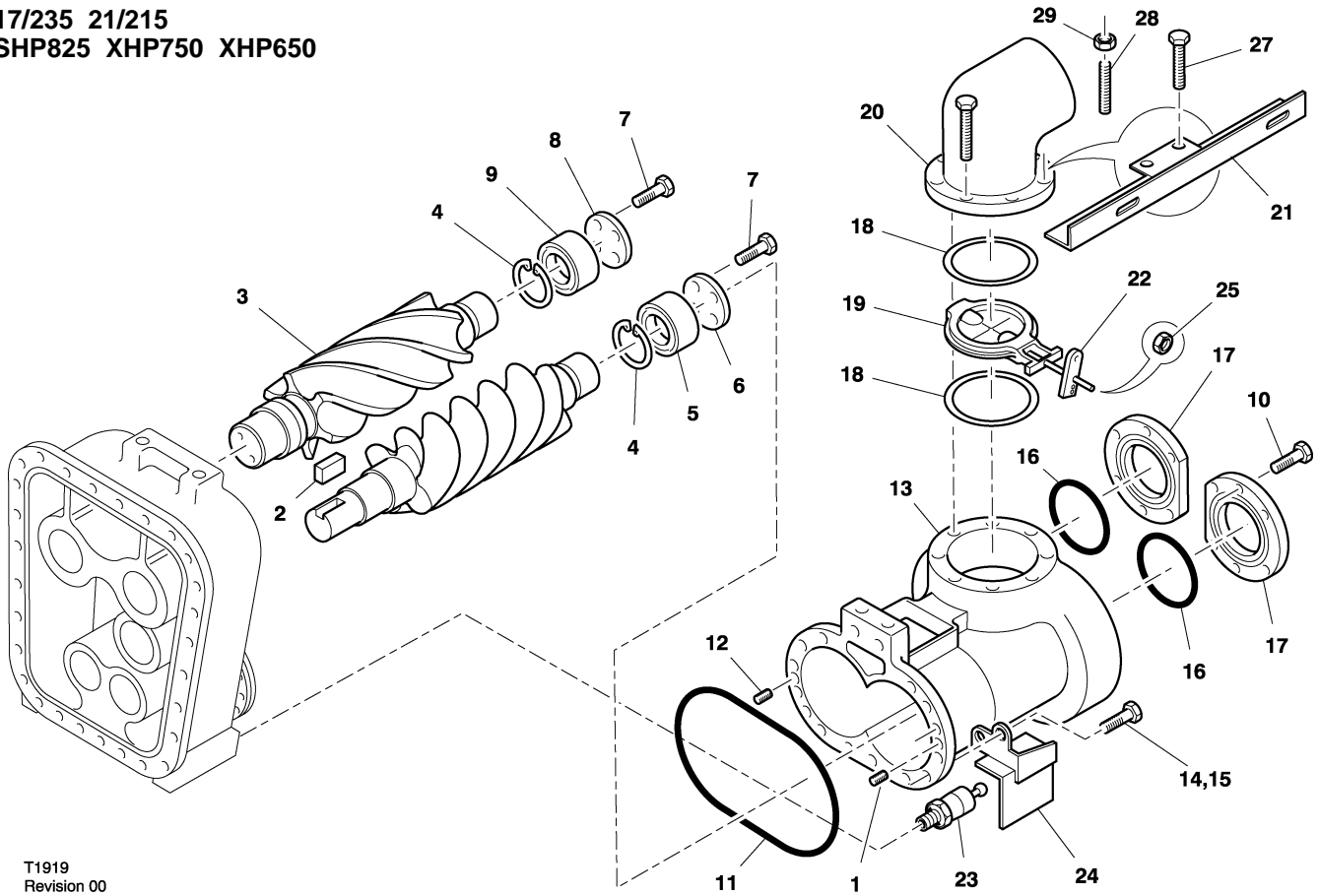
17/235 21/215
 SHP825 XHP750 XHP650



T2058
 Revision 00
 10/92

Item	ccn	Qty.	Description	Item	ccn	Qty.	Description
1	35271188	1	Bolt	12	35864644	1	Coupling
2	35856350	1	Cover	13	35369438	1	Bolt
3	35355924	1	Shim set	14	35355916	1	Shim set
4	95026290	1	'O' Ring	15	95026290	1	'O' Ring
5	35311463	1	Bolt	16	36500734	1	Cover
6	35355957	1	Plate	17	39125000	1	Bolt
7	35600113	2	Bearing	18	35272533	1	Bolt
8	35355874	1	Shim set	19	35366657	1	Pump
9	35355940	1	Piston	20	95000410	1	'O' Ring
10	35355874	1	Shim set	21	95069522	1	Dowel
11	35600113	2	Bearing				

17/235 21/215
 SHP825 XHP750 XHP650

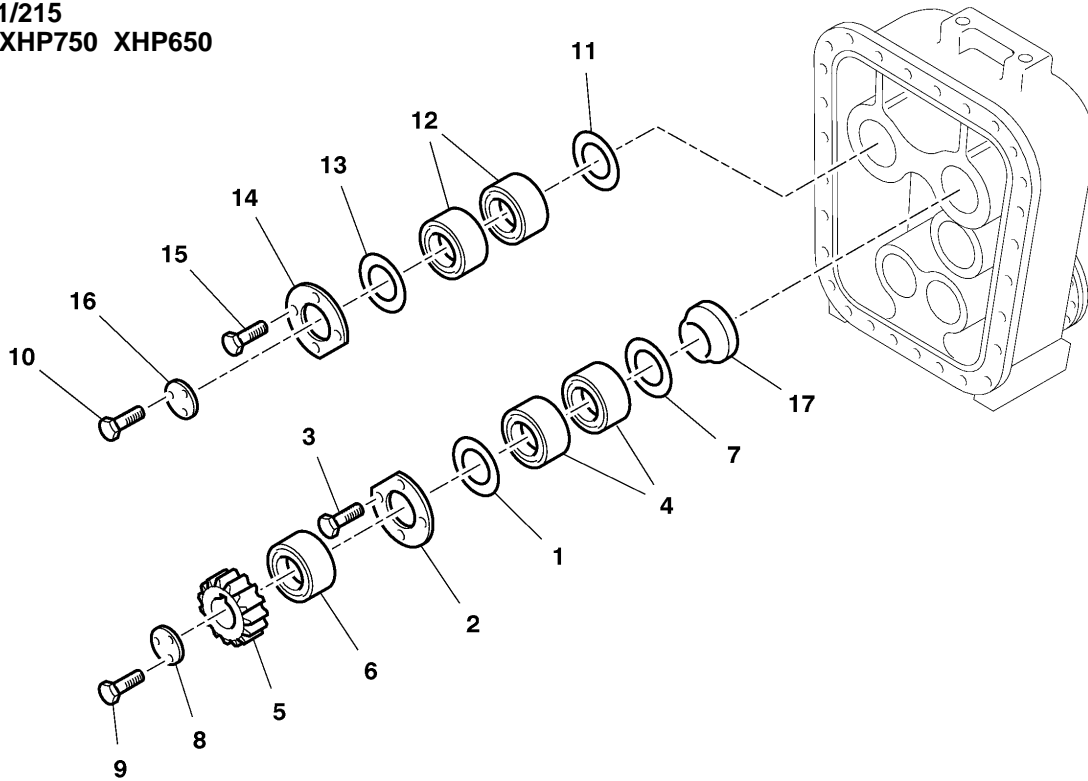


T1919
 Revision 00
 07/03

Item	ccn	Qty.	Description	Item	ccn	Qty.	Description
1	35336122	1	Dowel	16	35355502	2	'O' Ring
2	35355817	1	Key	17	35331883	2	Plate
3	35082114	1	Rotor set	18	95214524	2	Gasket
4	95223178	2	Circlip	19	35285626	1	Valve
5	35600030	1	Bearing	20	22075295	1	Flange
6	35300193	1	Plate	21	89201768	1	Bracket
7	35311463	8	Bolt	22	89252126	1	Lever
8	35300193	1	Plate	23	36845030	1	Valve, safety
9	35600022	1	Bearing	24	36845048	1	Cover
10	35366251	12	Bolt	25	92421353	1	Nut
11	35355783	1	'O' Ring	26	92764372	6	Screw
12	35336130	1	Dowel	27	96700919	2	Screw
13	36738797	1	Housing	28	96790717	2	Stud
14	35356039	16	Bolt	29	33297340	2	Nut
15	35295344	16	Bolt				

21 AIREND ASSEMBLY

17/235 21/215
 SHP825 XHP750 XHP650

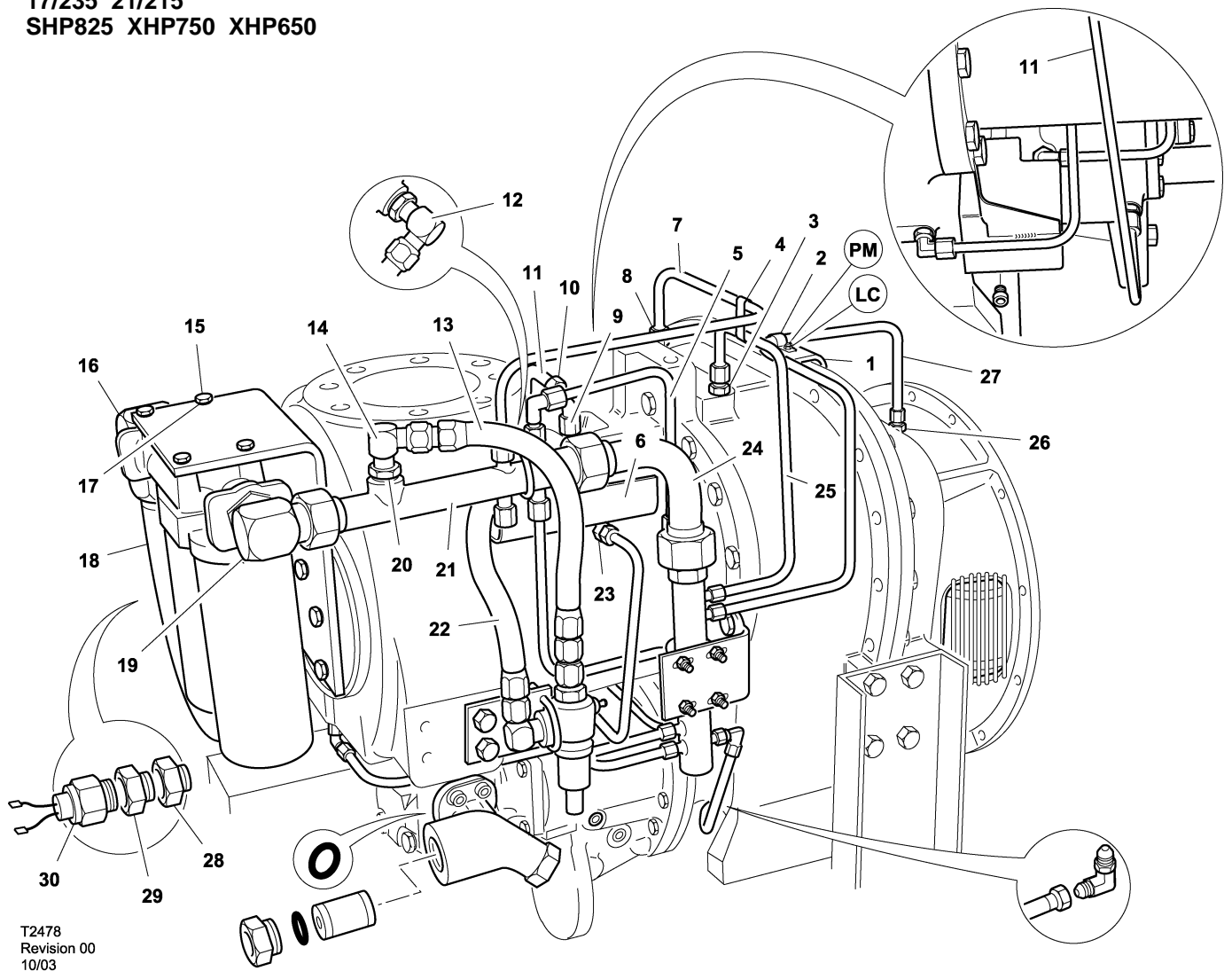


T2059
 Revision 00
 10/92

Item	ccn	Qty.	Description	Item	ccn	Qty.	Description
1	35355767	1	Shim set	12	35600105	2	Bearing
2	36501013	1	Plate	13	35355767	1	Shim set
3	35271154	6	Bolt	14	35856418	1	Plate, retaining
4	35605203	2	Bearing	15	92304393	6	Bolt
5			Gear-set (Refer to table)	16	35300193	1	Plate
6	35355841	1	Spacer	17	35602457	1	Piston
7	35355825	1	Shim set				
8	35355858	1	Plate				
9	36763704	3	Bolt				
10	35311463	3	Bolt				
11	35355833	1	Shim set				

Model		Airend complete including gears	Gear set
21/215	XHP750	35096205	36763183
17/235	SHP825	35086354	36746428
-	XHP650	35086859	36746410

17/235 21/215
 SHP825 XHP750 XHP650

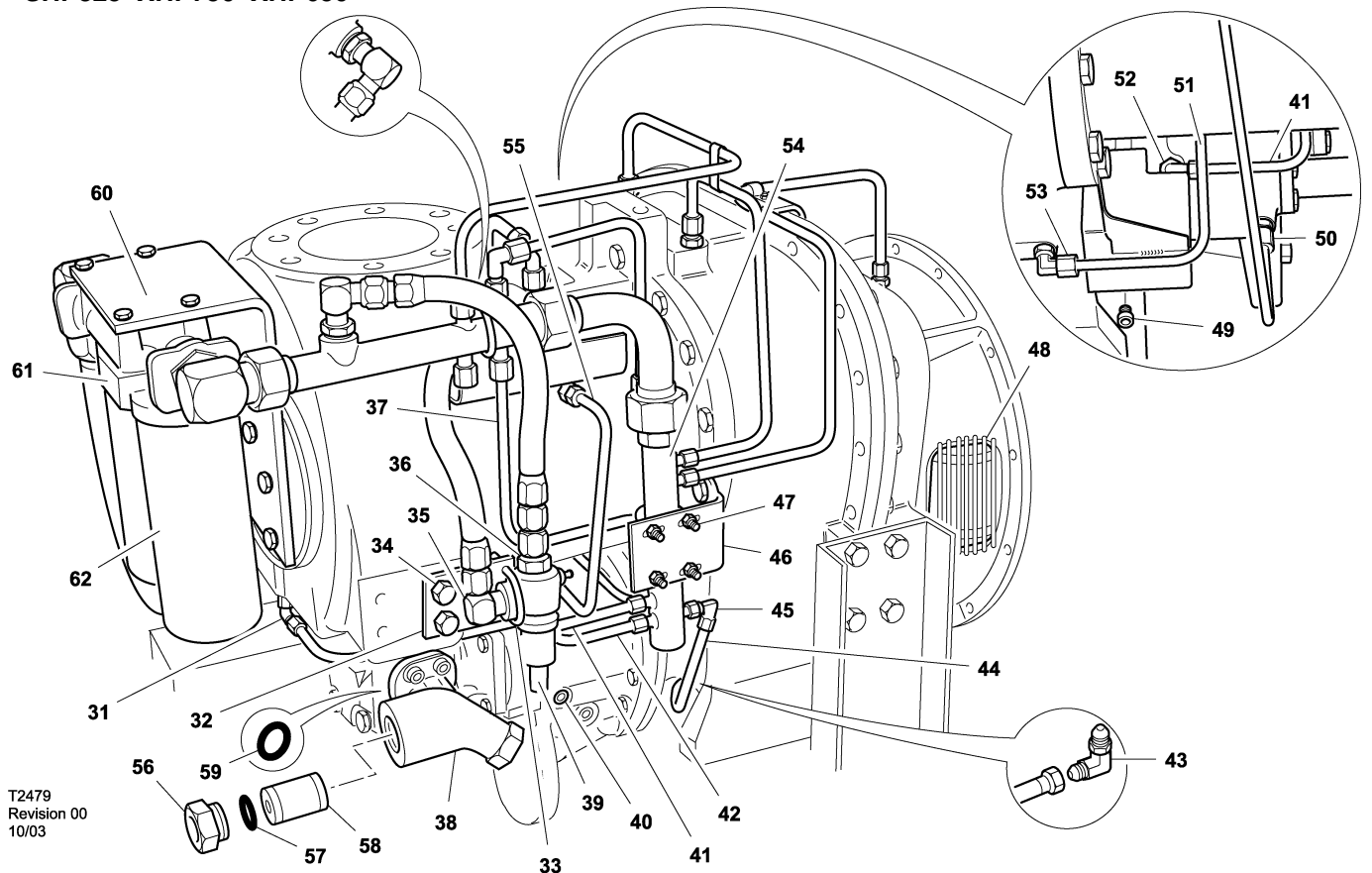


T2478
 Revision 00
 10/03

Item	ccn	Qty.	Description	Item	ccn	Qty.	Description
1	35863885	1	Bracket	16	95431292	1	Elbow
2	35253038	1	Clamp	17	92304617	4	Washer
3	35364991	1	Connector	18	36758357	1	Tube assembly
4	35253038	2	Clamp	19	95431292	1	Elbow
5	36743797	1	Tube assembly	20	95038048	1	Bush, reducing
6	36746626	1	Bracket	21	36743722	1	Tube assembly
7	36850584	1	Tube assembly	22	35294677	1	Hose assembly
8	35287895	1	Connector	23	35288166	1	Connector
9	35294156	1	Connector	24	35861137	1	Elbow
10	35287911	1	Elbow	25	36743870	1	Tube assembly
11	36743896	1	Tube assembly	26	35364991	1	Connector
12	35294727	1	Elbow	27	36745669	1	Tube assembly
13	35287721	1	Hose assembly	28	35302314	1	Adaptor
14	35294735	1	Elbow	29	95930301	1	Bush, reducing
15	92272368	4	Setscrew	30	36757581	1	Switch, oil pressure

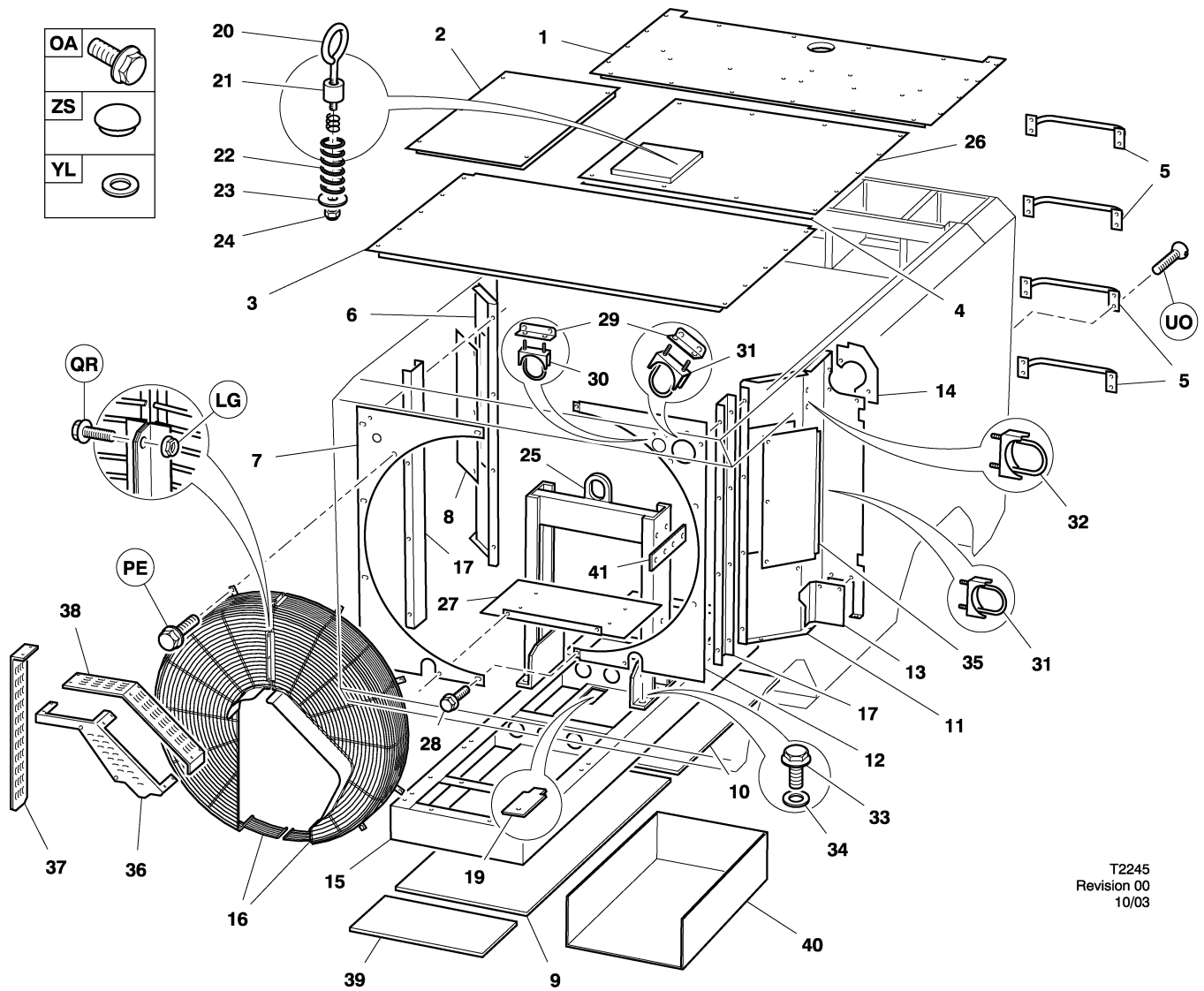
23 AIREND PIPEWORK

17/235 21/215
SHP825 XHP750 XHP650



T2479
Revision 00
10/03

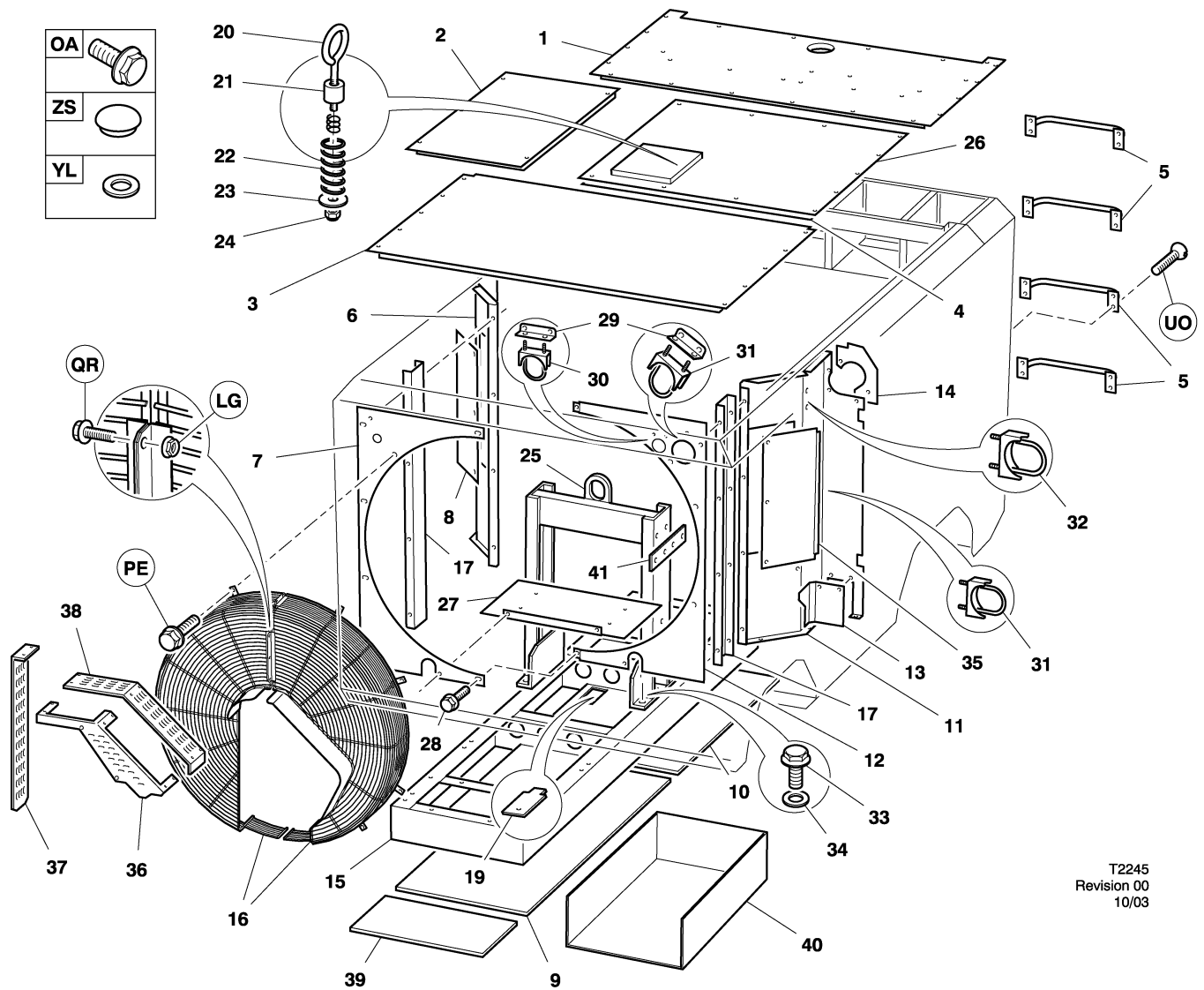
Item	ccn	Qty.	Description	Item	ccn	Qty.	Description
31	35606490	1	Elbow	47	35306638	2	Bolt, U
32	36846517	1	Bracket	48	36798205	1	Cover
33	36506756	1	Bolt, U	49	35287556	1	Plug
34	35309715	2	Screw	50	35287895	1	Connector
35	35294735	1	Elbow	51	36743904	1	Tube assembly
36	95293320	1	Connector	52	35279827	1	Elbow
37	36743805	1	Tube assembly	53	35279827	1	Elbow
38	35092279	1	Filter assembly	54	36743961	1	Manifold
39	36846707	1	Valve, safety	55	36748101	1	Tube assembly
40	35287556	1	Plug	56	35609098	1	Plug
41	36743912	1	Tube assembly	57	35277797	1	'O' Ring
42	36743920	1	Tube assembly	58	35370063	1	Element
43	35606490	1	Elbow	59	95357943	1	'O' Ring
44	36748093	1	Tube assembly	60	36759447	1	Bracket
45	35283068	1	Elbow	61-62	36756120	1	Filter assembly
46	36745792	1	Bracket	62	36860336	2	Element



T2245
Revision 00
10/03

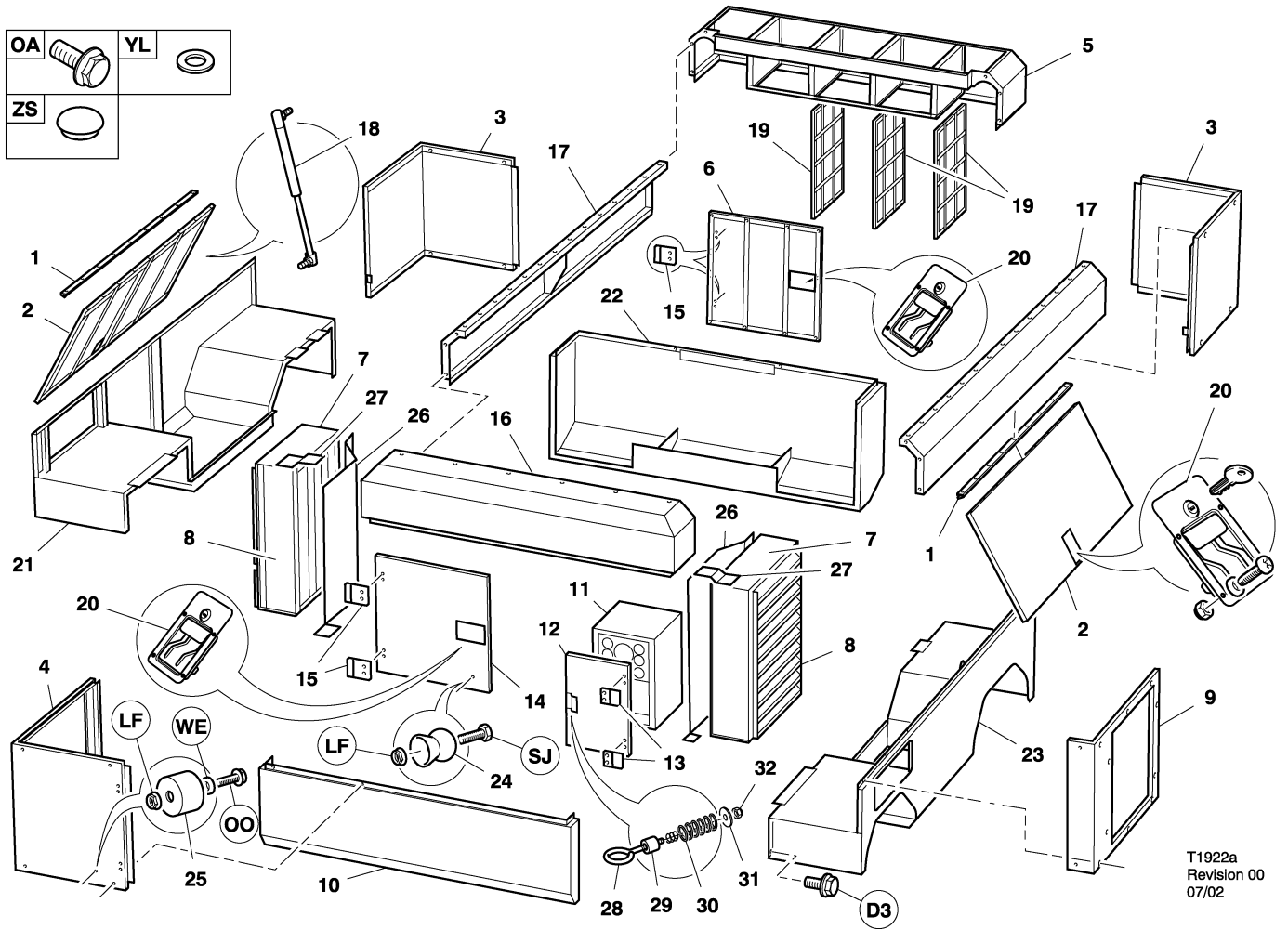
Item	ccn	Qty.	Description	Item	ccn	Qty.	Description
1	22081988	1	Panel	13	22123418	1	Cover
2	22123301	1	Panel	14	54657408	1	Cover (W) machine
3	22123095	1	Panel		22329817	1	Cover (HA) machine
4	22267322	1	Angle, cooler seal	15	54566781	1	Frame
5	89287957	1	Handrail	16	22193031	1	Guard
6	22127492	1	Panel, right hand	17	22079651	2	Panel, baffle fan orifice
7	22079685	1	Panel, right hand orifice	18	-		
8	22181069	1	Panel, cover right hand	19	89299945	1	Cover
9	22133425	1	Undertray (F)	20	89297600	1	Bolt, eye
10	22132898	1	Undertray (R)	21	89297618	1	Spacer
11	22180897	1	Panel, left hand	22	89799840	1	Spring
*11a	36889608	6	Screw	23	92042241	1	Washer, Nylon
*11b	36881886	6	Nut	24	92304559	1	Locknut
*11c	56797652		Screw				
12	22079677	1	Panel, left hand orifice				

25 ENCLOSURE



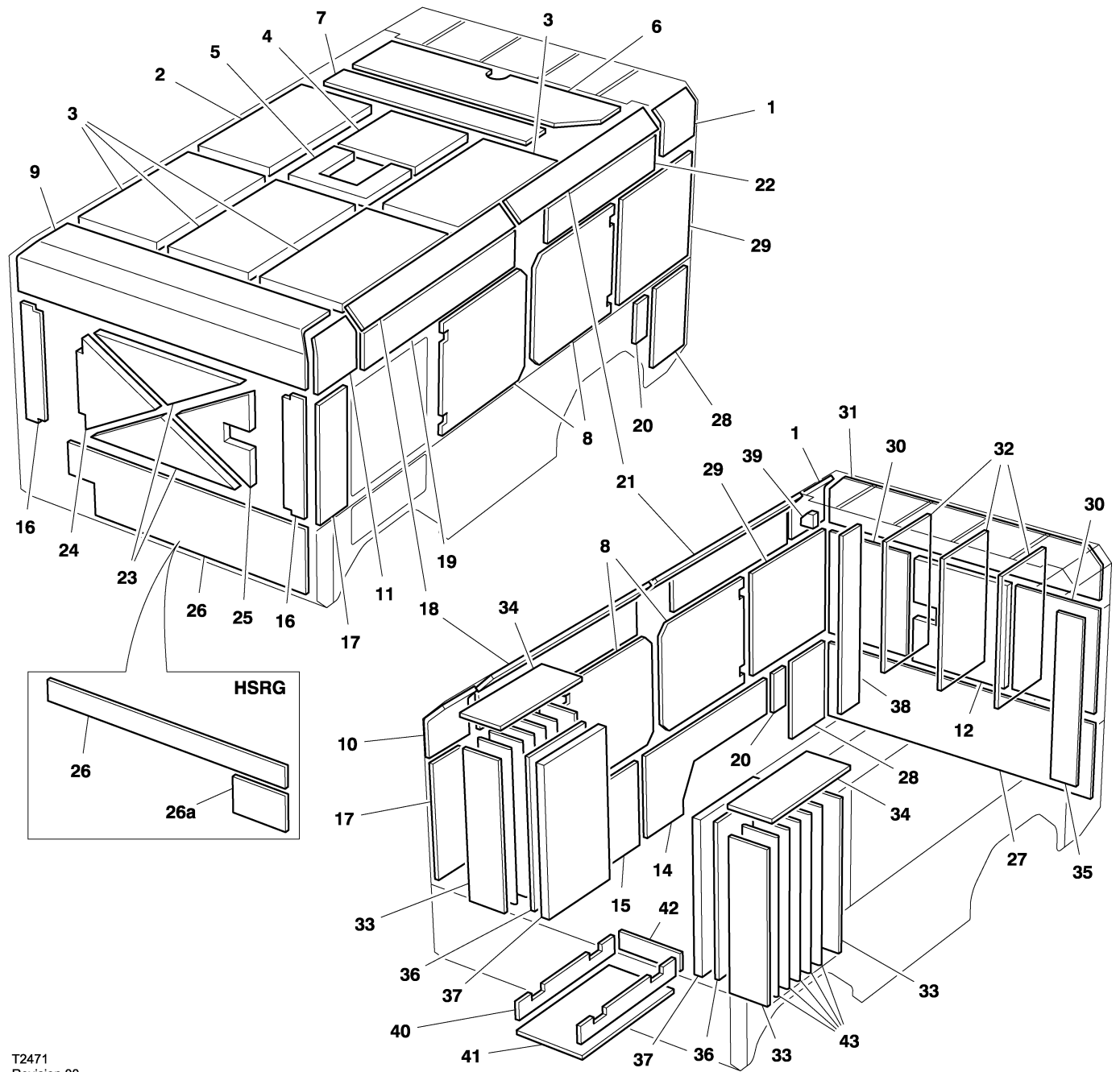
T2245
Revision 00
10/03

Item	ccn	Qty.	Description	Item	ccn	Qty.	Description
25	22150353	1	Bail, lifting	33	35272558	6	Screw
*25a	35272588	6	Screw	34	92391382	6	Washer
*25b	92391382	6	Washer	35	22181077	1	Panel, cover left hand
26	22123236	1	Panel	36	22200745	1	Support, belt guard
*26a	22196786	1	Panel, roof muffler HA	37	22200273	1	Guard, belt side
27	22079750	1	Panel SRG	38	22200737	1	Guard, belt top
	22281174	1	Panel HSRG	39	54571443	1	Undertray, front HSRG
28	36889608	2	Screw	40	22132906	1	Airbox SRG
29	22097448	2	Bracket		22205942	1	Airbox HSRG
30	35209048	1	Clamp	41	22318596	1	Bracket, primary fuel filter mounting
31	35113646	2	Clamp				
32	35127653	1	Clamp				



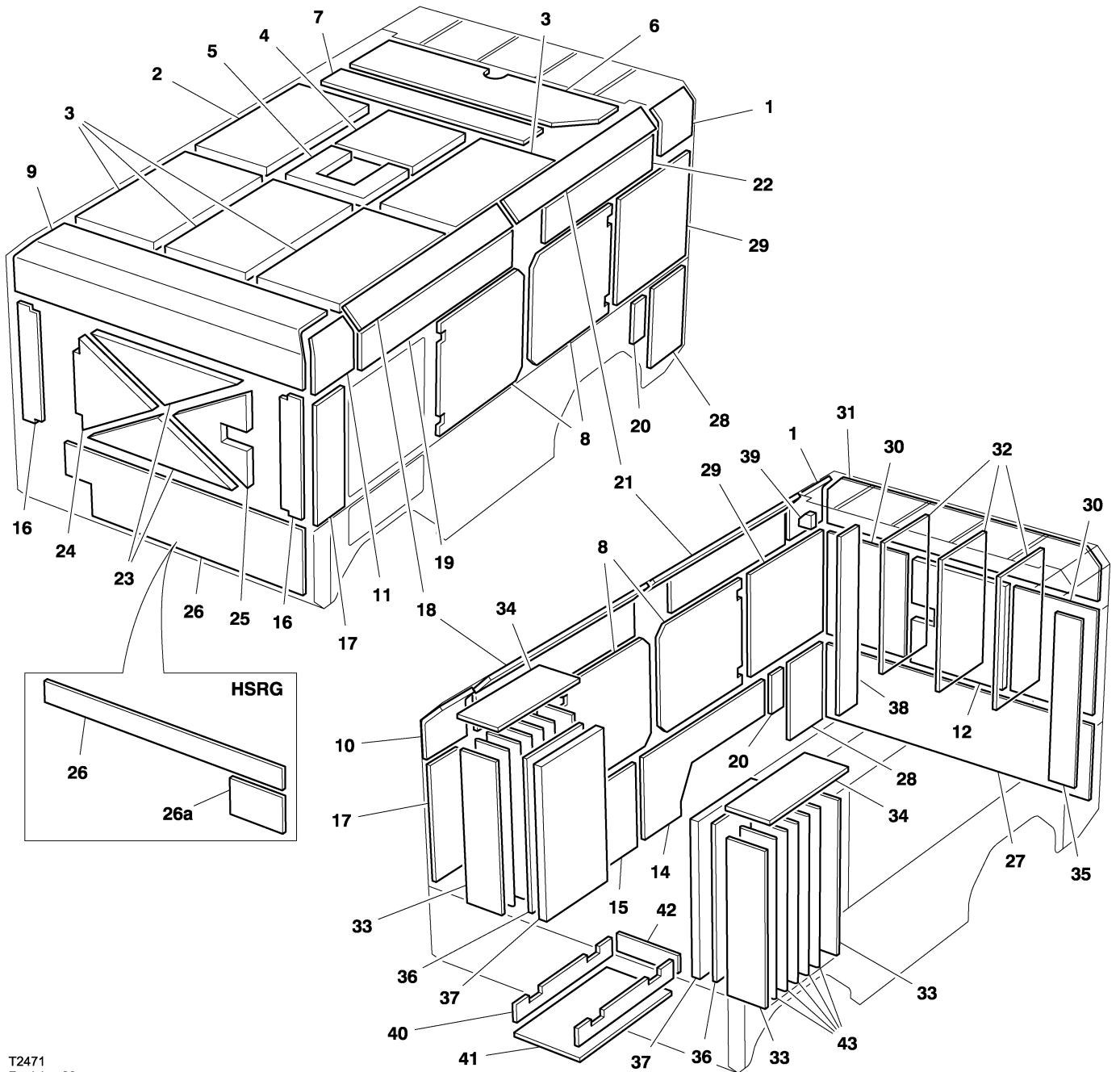
T1922a
Revision 00
07/02

Item	ccn	Qty.	Description	Item	ccn	Qty.	Description
1	92912419	2	Hinge	20	89288757	4	Lock
2	22123368	2	Door assembly	21	22122956	1	Panel SRG
3	22184907	2	Panel		22180509	1	Panel HSRG
4	22186233	1	Panel	22	22123004	1	Panel SRG
5	22123327	1	Duct		22184691	1	Panel HSRG
6	22123384	1	Door assembly	23	22122998	1	Panel SRG
7	22123038	2	Panel		22180491	1	Panel HSRG
8	22123020	2	Duct	24	92922863	1	Catch (Male)
9	22123012	1	Panel	25	92922856	1	Catch (Female)
10	22122980	1	Panel SRG	26	22072151	2	Baffle
	22208938	1	Panel HSRG	27	89304224	2	Bracket
11	22103287	1	Panel, instrument box	28	22104756	1	Bolt, eye
12	22122972	1	Door	29	89297618	2	Spacer
13	89287684	2	Hinge	30	89799840	1	Spring
14	22185037	1	Door assembly	31	92042241	1	Washer, Nylon
15	89287692	4	Hinge	32	92304559	1	Locknut
16	22123079	1	Panel				
17	22144711	2	Panel				
18	54443213	4	Spring, gas				
19	22123335	3	Baffle				



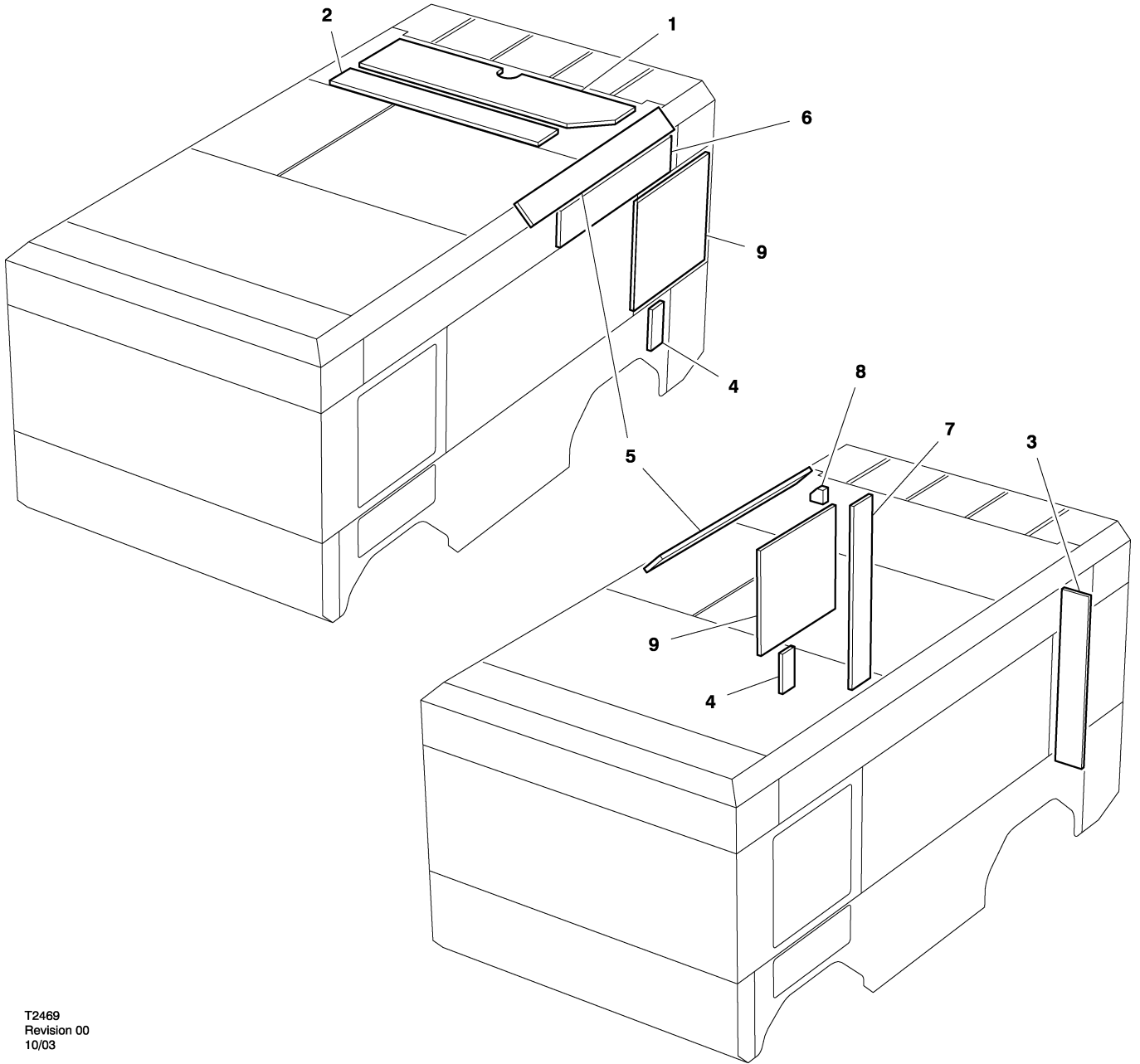
T2471
Revision 00
08/03

Item	ccn	Qty.	Description	Item	ccn	Qty.	Description
1	22056212	2	Foam	14	22146989	1	Foam SRG
2	22110852	1	Foam		22300339	1	Foam HSRG
3	22110860	4	Foam	15	22147029	1	Foam SRG
4	22110878	1	Foam		22300552	1	Foam HSRG
5	22110886	1	Foam	16	22147219	2	Foam
6	22111439	1	Foam	17	22147227	2	Foam
7	22111447	1	Foam	18	22148357	2	Foam
8	22111454	4	Foam	19	22148365	2	Foam
9	22111470	1	Foam	20	22149199	2	Foam
10	22111488	1	Foam	21	22149207	2	Foam
11	22111496	1	Foam	22	22149355	2	Foam
12	22114218	1	Foam				
13	-						



T2471
Revision 00
08/03

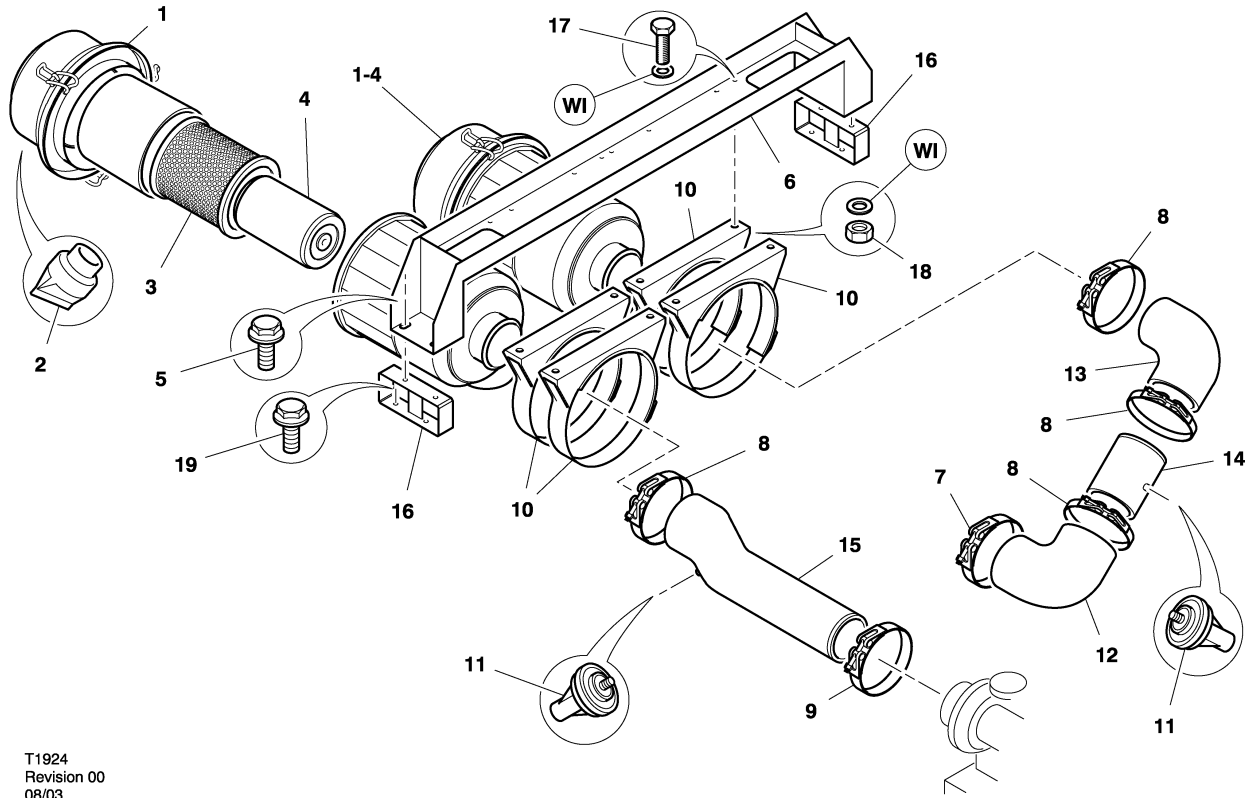
Item	ccn	Qty.	Description	Item	ccn	Qty.	Description
23	22265839	2	Foam	32	22056188	3	Foam
24	22265847	1	Foam	33	22147045	4	Foam
25	22265854	1	Foam	34	22147052	2	Foam
26	54375845	1	Foam SRG	35	22148894	1	Foam
	22147425	1	Foam HSRG	36	22153225	2	Foam
26a	22300669	1	Foam HSRG	37	22153233	2	Foam
27	89286041	1	Foam	38	22265748	1	Foam
28	89286058	2	Foam	39	22267330	1	Foam
29	89286157	2	Foam	40	22300594	2	Foam
30	89286165	2	Foam	41	22306674	1	Foam
31	89286306	1	Foam	42	22306690	1	Foam
				43	89286090	10	Foam



T2469
Revision 00
10/03

Item	ccn	Qty.	Description	Item	ccn	Qty.	Description
1	22111439	1	Foam	6	22149355	2	Foam
2	22111447	1	Foam	7	22265748	1	Foam
3	22148894	1	Foam	8	22267330	1	Foam
4	22149199	2	Foam	9	89286157	2	Foam
5	22149207	2	Foam				

9/230 9/270 9/300 12/235
 VHP750 MHP825 HP935 XP950 XP1060

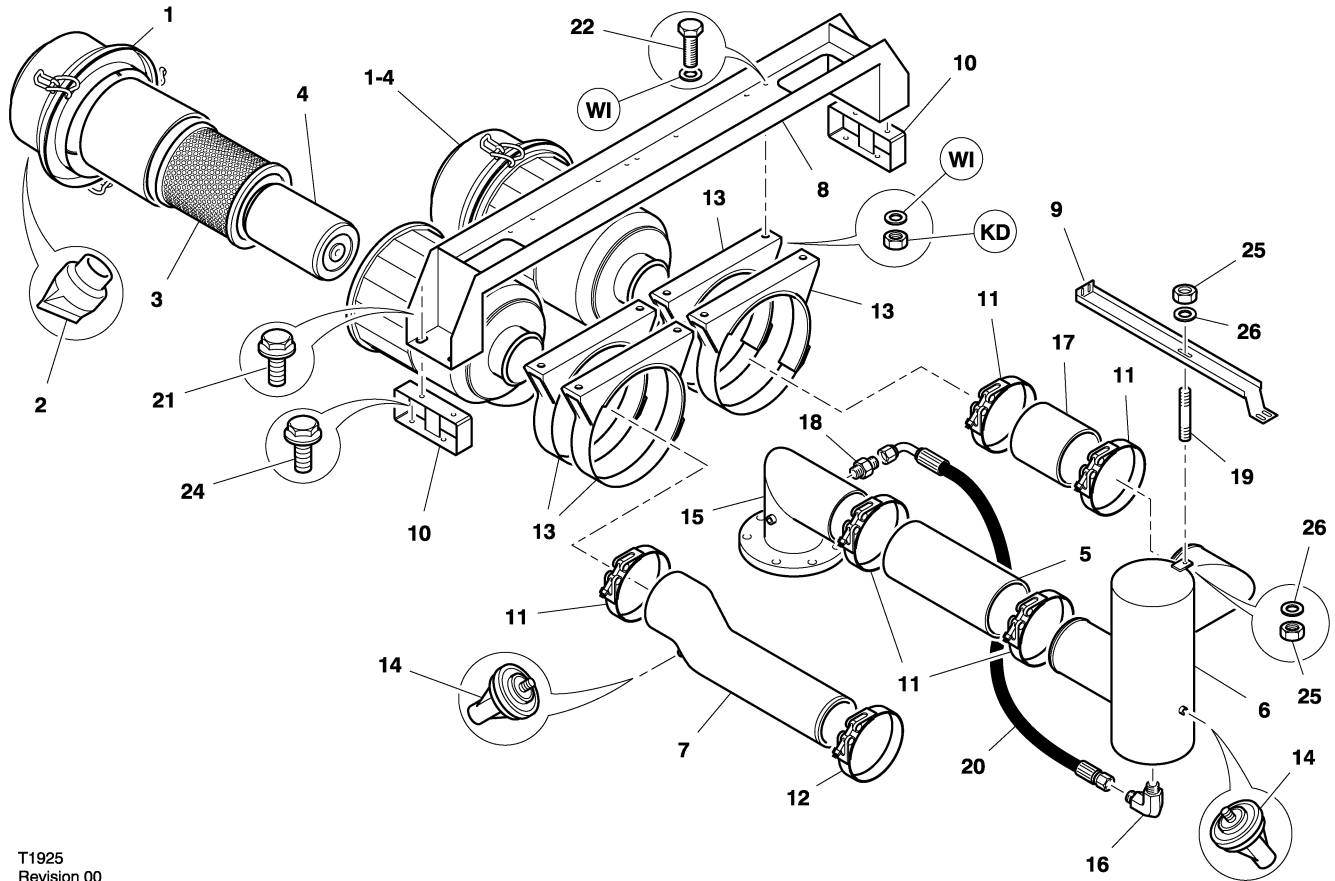


T1924
 Revision 00
 08/03

Item	ccn	Qty.	Description	Item	ccn	Qty.	Description
1-4	89285829	2	Filter, air	10	89285837	4	Clamp
1	89304844	2	Cap	11	36847838	2	Indicator, air restriction
2	89304851	2	Valve	12	89288005	1	Elbow
3	89288971	2	Element, air filter (main)	13	35281336	1	Elbow
4	89288989	2	Element, air filter (safety)	14	22258545	1	Pipe
5	35279025	4	Screw	15	22093942	1	Hose
6	89285837	1	Support	16	22149520	2	Bracket
7	35119858	1	Clamp	17	35271170	8	Screw
8	35123496	4	Clamp	18	36881886	8	Nut
9	36897668	1	Clamp	19	36889608	4	Screw

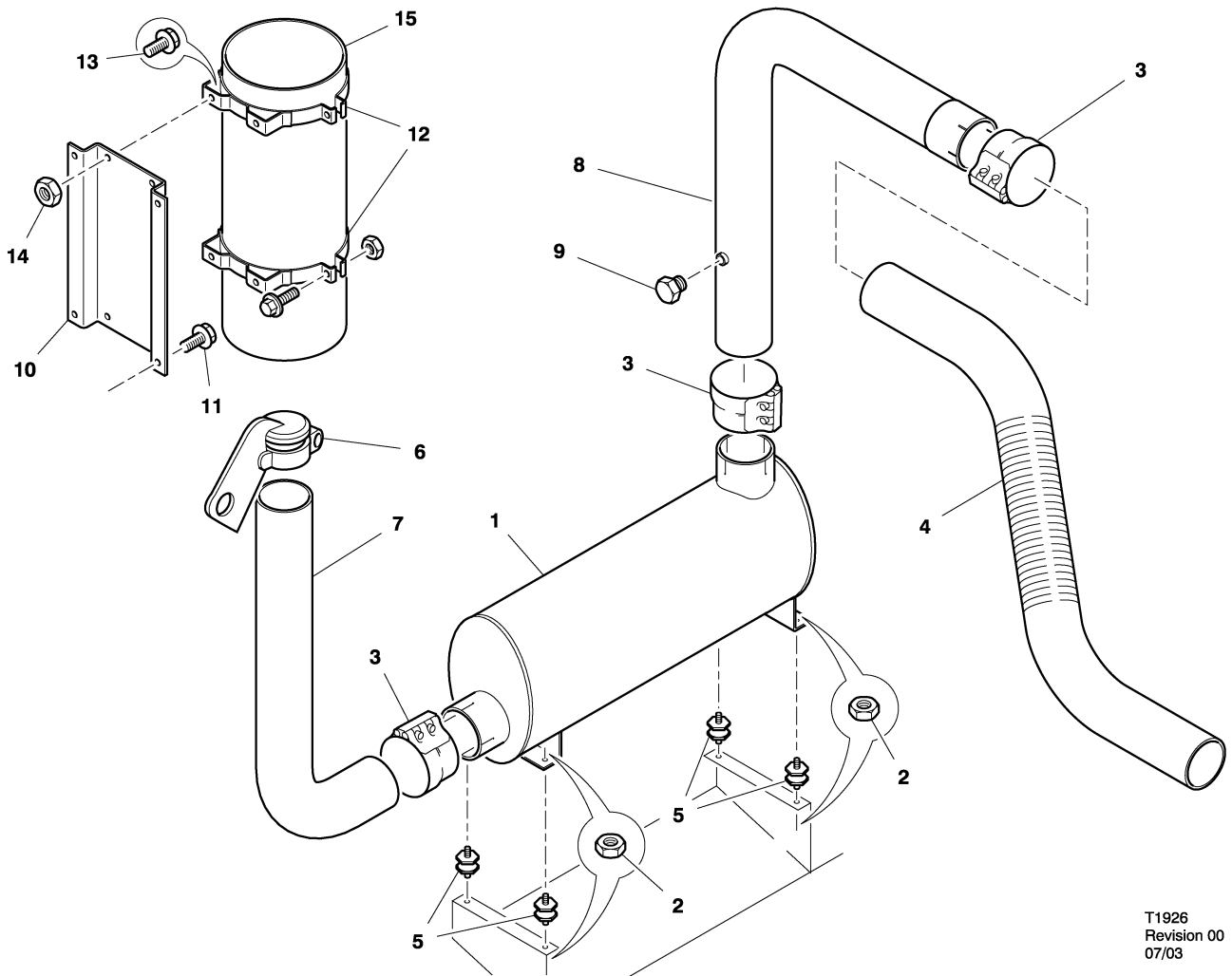
31 AIR INTAKE SYSTEM

17/235 21/215
 SHP825 XHP750 XHP650



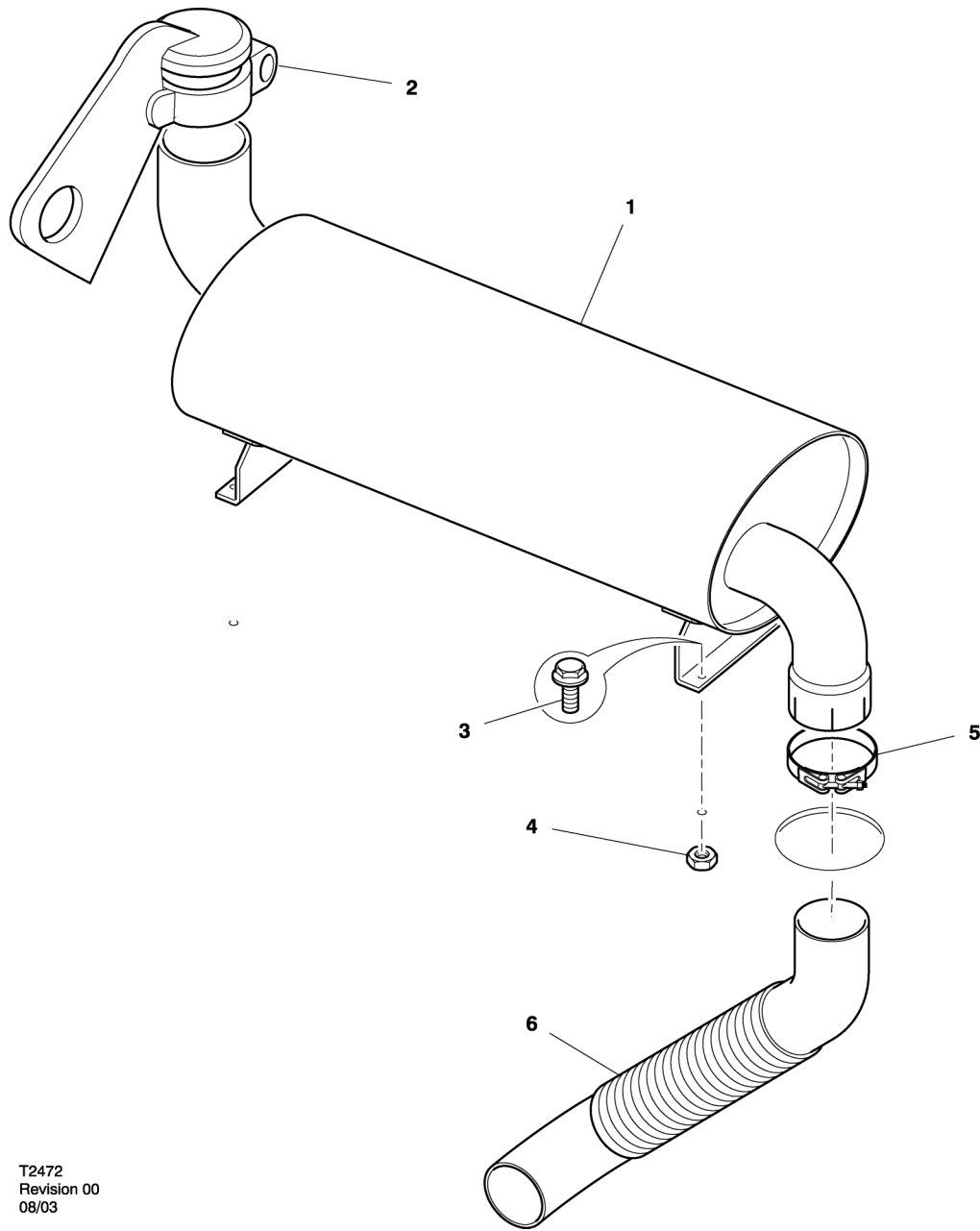
T1925
 Revision 00
 08/03

Item	ccn	Qty.	Description	Item	ccn	Qty.	Description
1-4	89285829	2	Filter, air	14	36847838	2	Indicator, air restriction
1	89304844	2	Cap	15	22075295	1	Flange
2	89304851	2	Valve	16	92394279	1	Elbow
3	89288971	2	Element, air filter (main)	17	89299440	1	Hose
4	89288989	2	Element, air filter (safety)	18	92042936	1	Connector
5	22173868	1	Hose	19	89289383	1	Stud
6	22258529	1	Duct	20	92079474	1	Hose assembly
7	22093942	1	Hose	21	35279025	4	Screw
8	89285837	1	Support	22	35271170	8	Screw
9	22258115	1	Bracket	23	36881886	8	Nut
10	89297634	2	Bracket	24	36889608	4	Screw
11	35123496	5	Clamp	25	96735543	2	Nut
12	36897668	1	Clamp	26	95934998	2	Washer
13	89285837	4	Clamp				



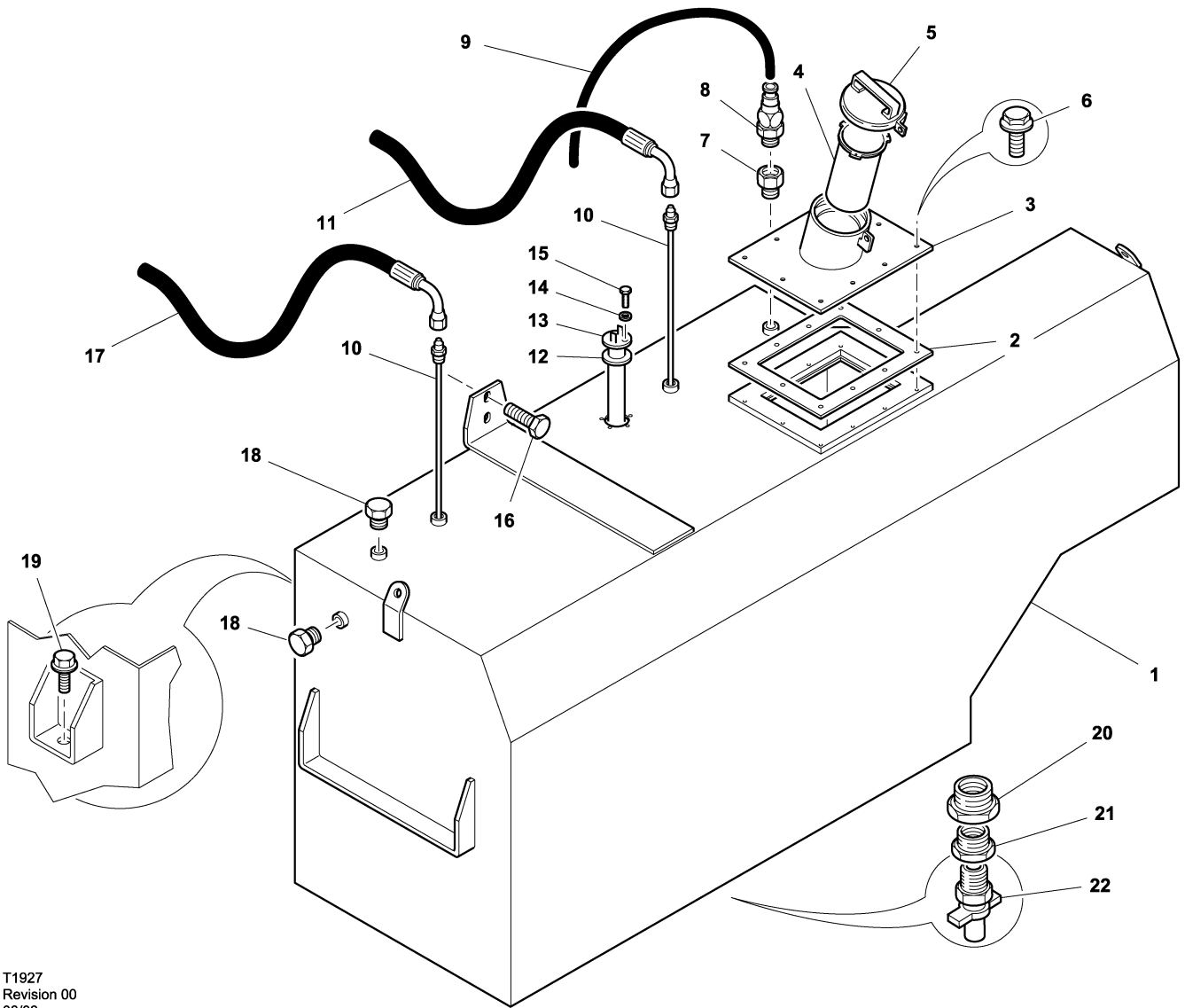
T1926
Revision 00
07/03

Item	ccn	Qty.	Description	Item	ccn	Qty.	Description
1	22134175	1	Silencer	9	95928255	1	Plug
2	36881886	8	Nut	10	22321475	1	Bracket
3	35307131	3	Clamp	11	35279025	4	Screw
4	22186126	1	Connector, flexible	12	36787026	2	Band, mounting
5	92276096	4	Mount	13	36889608	4	Screw
6	35857036	1	Raincap	14	36881886	4	Nut
7	22056105	1	Pipe	15	36787034	1	Tube
8	22134167	1	Pipe				



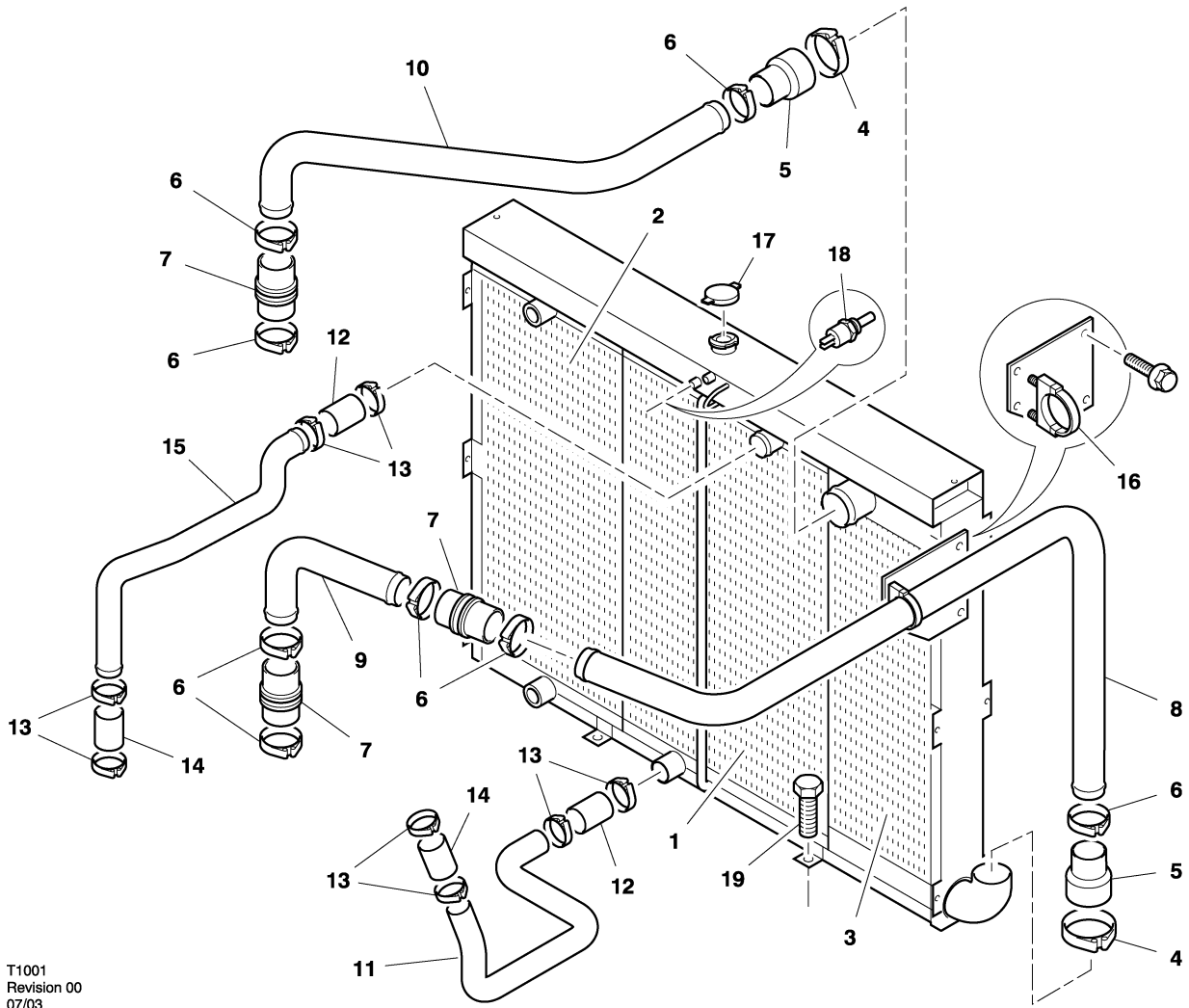
T2472
Revision 00
08/03

Item	ccn	Qty.	Description	Item	ccn	Qty.	Description
1	22194567	1	Muffler	4	36895746	4	Nutsert
2	35857036	1	Raincap	5	35313303	1	Clamp
3	35279025	4	Screw	6	22284261	1	Tube



T1927
Revision 00
08/03

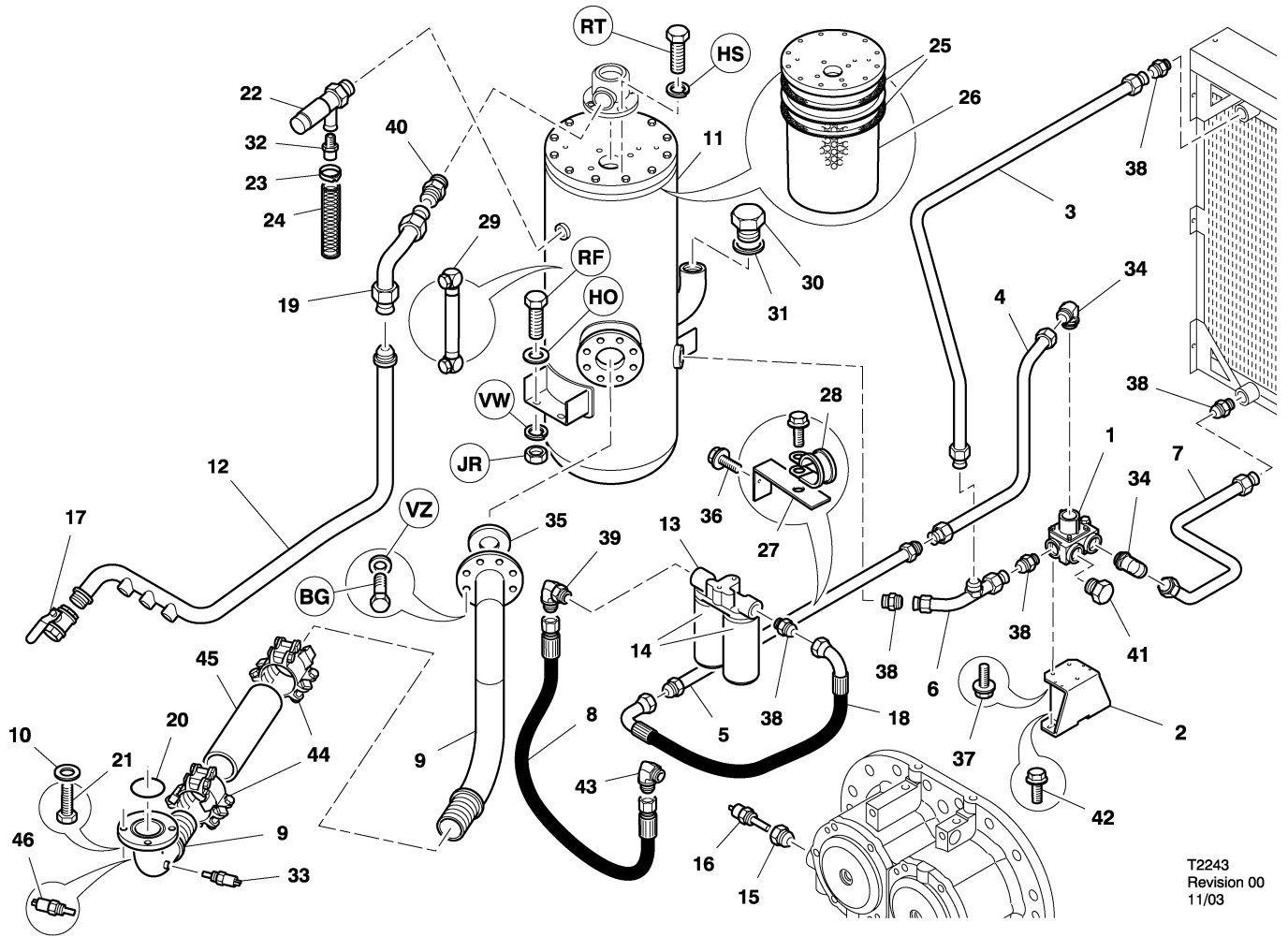
Item	ccn	Qty.	Description	Item	ccn	Qty.	Description
1-22	-	1	Fuel tank assembly	11	35282995	1	Hose assembly
1	22183990	1	Tank, fuel SRG	12	89288492	1	Gasket
	22279566	1	Tank, fuel HSRG	13	22094759	1	Sender unit, fuel gauge SRG
2	89287346	1	Gasket		22155451	1	Sender unit, fuel gauge HSRG
3	-			14	92272756	AR	Lockwasher
4	36845022	1	Filter, fuel	15	92096031	AR	Screw
5	36845014	1	Cap, fuel filler	16	36888055	2	Screw
6	96701958	10	Screw	17	35283506	1	Hose assembly
7	35316348	1	Adaptor	18	95949491	2	Plug
8	35369347	1	Adaptor	19	36888055	2	Screw
9	35356484	1	Tube (Nylon)	20	32580510	1	Adaptor
10	22092795	2	Drop-tube SRG	21	95333274	1	Reducer
	22155469	2	Drop-tube HSRG	22	30641278	1	Cock



T1001
Revision 00
07/03

Item	ccn	Qty.	Description	Item	ccn	Qty.	Description
1-3	22150031		Radiator & cooler assembly (VHP750 XP950 XP1060)	8	22052278	1	Tube
1	89299861	1	Radiator	9	22107981	1	Tube
2	22126197	1	Cooler, oil	10	22097653	1	Tube
3	89299879	1	Cooler, charge	11	22188262	1	Tube
1-3	22150023		Radiator & cooler assembly (SHP825 XHP750 XHP650)	12	35330570	2	Connector
1	89299861	1	Radiator	13	35222017	8	Clamp
2	22150213	1	Cooler, oil	14	22126460	2	Connector
3	89299879	1	Cooler, charge	15	22079636	1	Tube
4	54444427	2	Clamp	16	35113646	1	Clamp
5	22058564	2	Sleeve	17	89232086	1	Cap
6	22144513	8	Clamp	18	22102339	1	Sensor, coolant level
7	22058556	3	Sleeve	19	36877793	4	Screw

XP1060 HP935 VHP750 MHP825

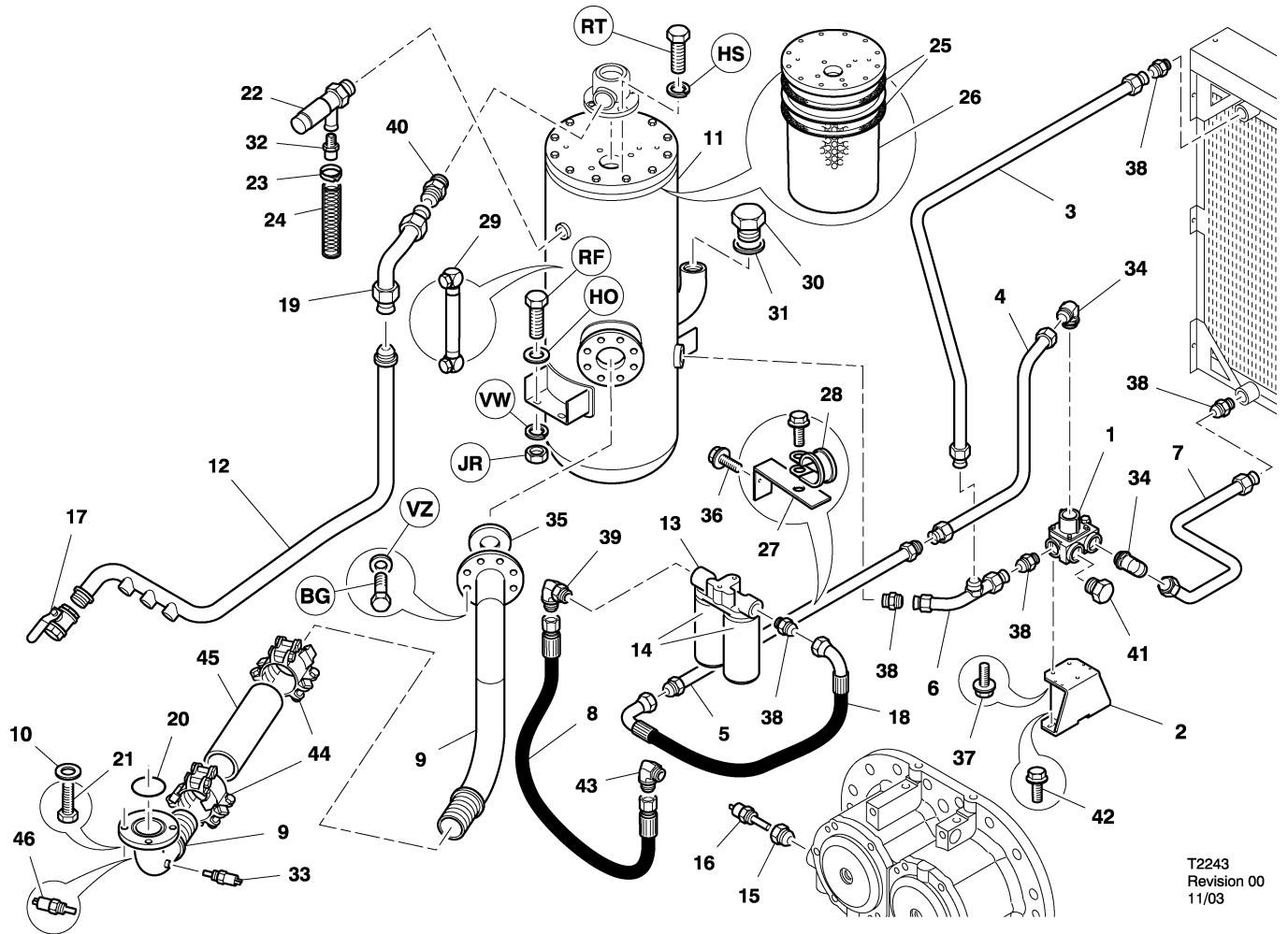


T2243
Revision 00
11/03

Item	ccn	Qty.	Description	Item	ccn	Qty.	Description
1	36893824	1	Valve, thermostatic	18	89299424	1	Hose assembly
2	22141196	1	Bracket	19	54576038	1	Tube assembly
3	22139752	1	Tube assembly	20	95022380	1	'O' Ring
4	22138721	1	Tube assembly	21	35375385	4	Screw
5	54709928	1	Tube assembly	22	89285803	1	Valve, safety
6	22138259	1	Hose assembly	23	35221639	1	Clip, retaining
7	22137939	1	Tube assembly	24	54378526	1	Hose
8	36890650	1	Hose assembly	25	89304067	2	Gasket
9	22130801	1	Pipe	26	89285761	1	Element, with gaskets
10	95939741	4	Washer	27	22123491	1	Bracket
11	22130322	1	Tank, separator	28	92898576	1	Clip, retaining
12	22332605	1	Tube assembly	29	92095363	1	Gauge, oil level
13	36756120	1	Filter assembly	30	35579630	1	Cap
14	36860336	2	Element	31	35279942	1	'O' Ring
15	22246722	1	Adaptor	32	54378534	1	Adaptor
16	36757581	1	Switch, oil pressure	33	36898922	1	Sensor, temperature
17	35602473	1	Valve, ball				

37 OIL/AIR PIPING

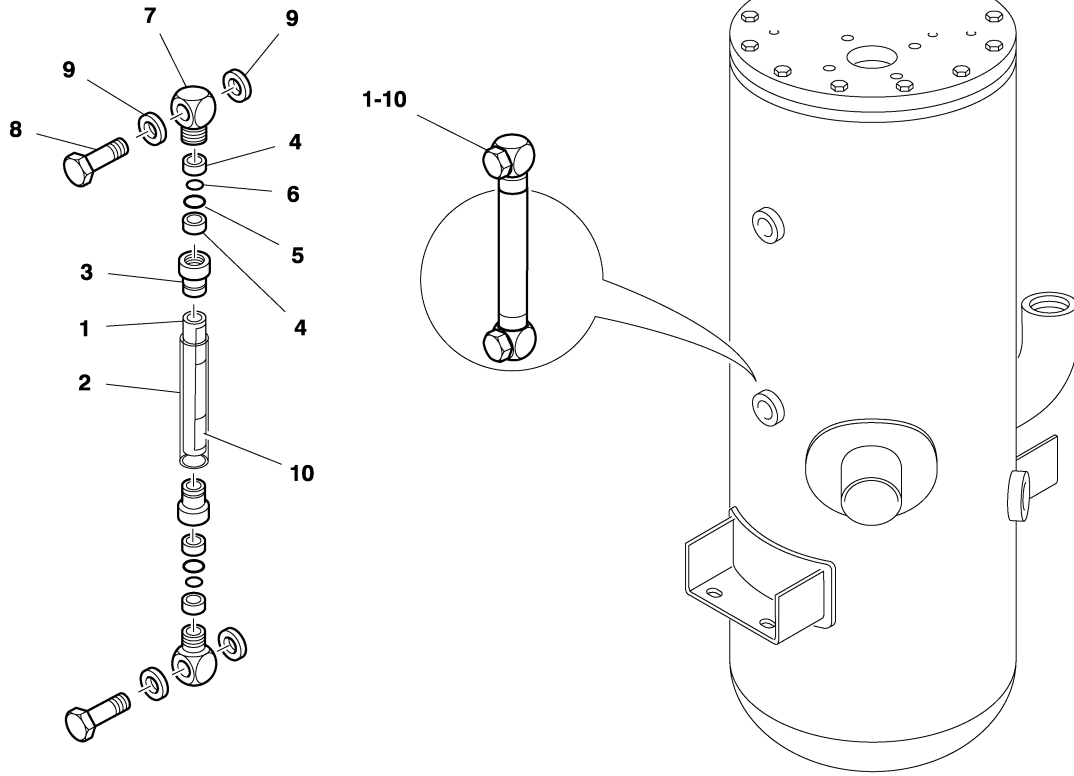
XP1060 HP935 VHP750 MHP825



T2243
Revision 00
11/03

Item	ccn	Qty.	Description	Item	ccn	Qty.	Description
34	95431292	2	Elbow	41	95938197	1	Plug
35	39487830	1	Gasket	42	35279025	2	Screw
36	35279025	2	Screw	43	36899979	1	Elbow
37	95934543	3	Screw	44	36891869	2	Clamp
38	35296409	5	Adaptor	45	22119218	1	Hose
39	95431292	1	Elbow	46	36841138	1	Sending unit, compressor discharge temperature gage
40	95371241	1	Adaptor				

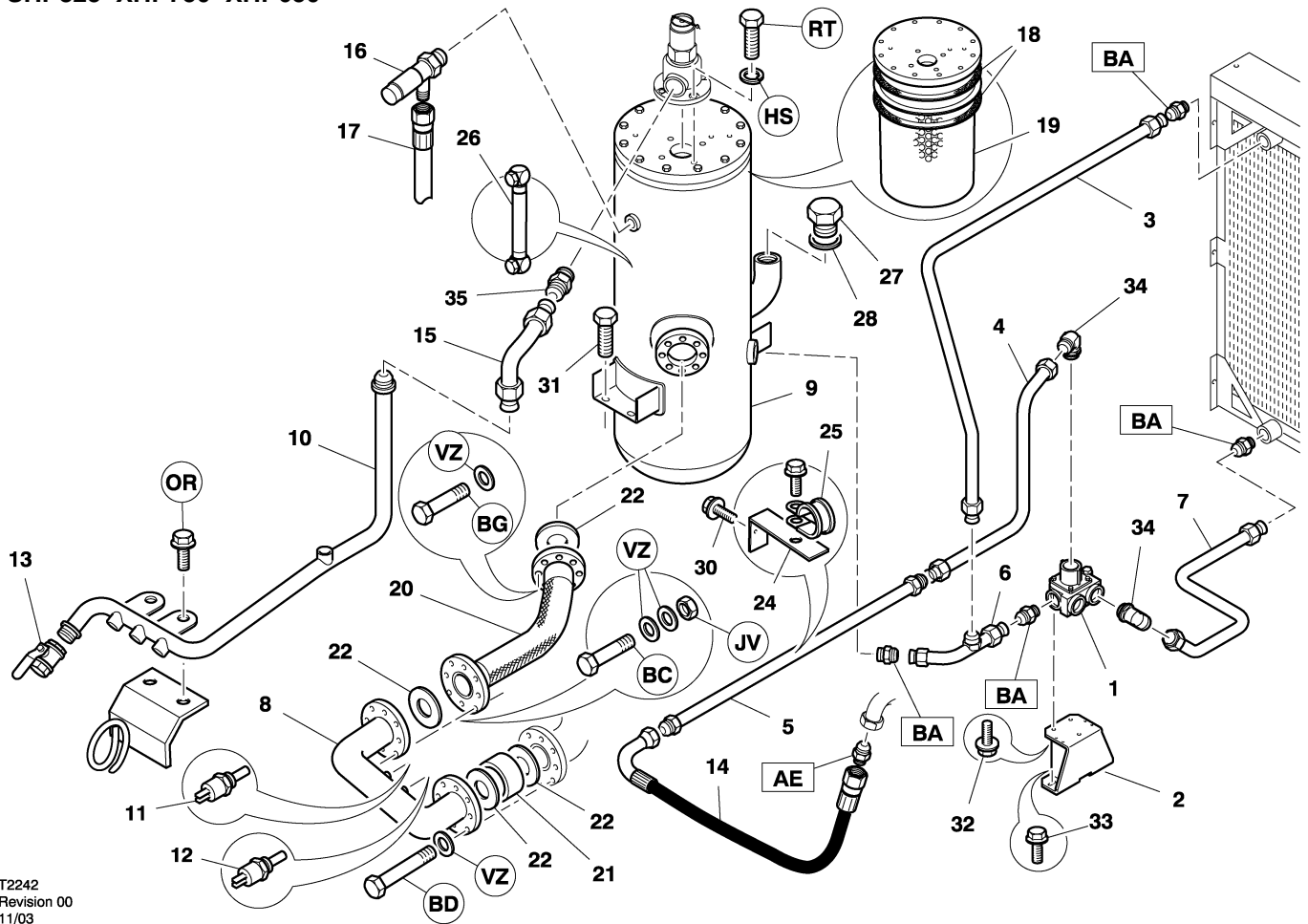
XP1060 HP935 VHP750 MHP825



T1944
Revision 00
10/03

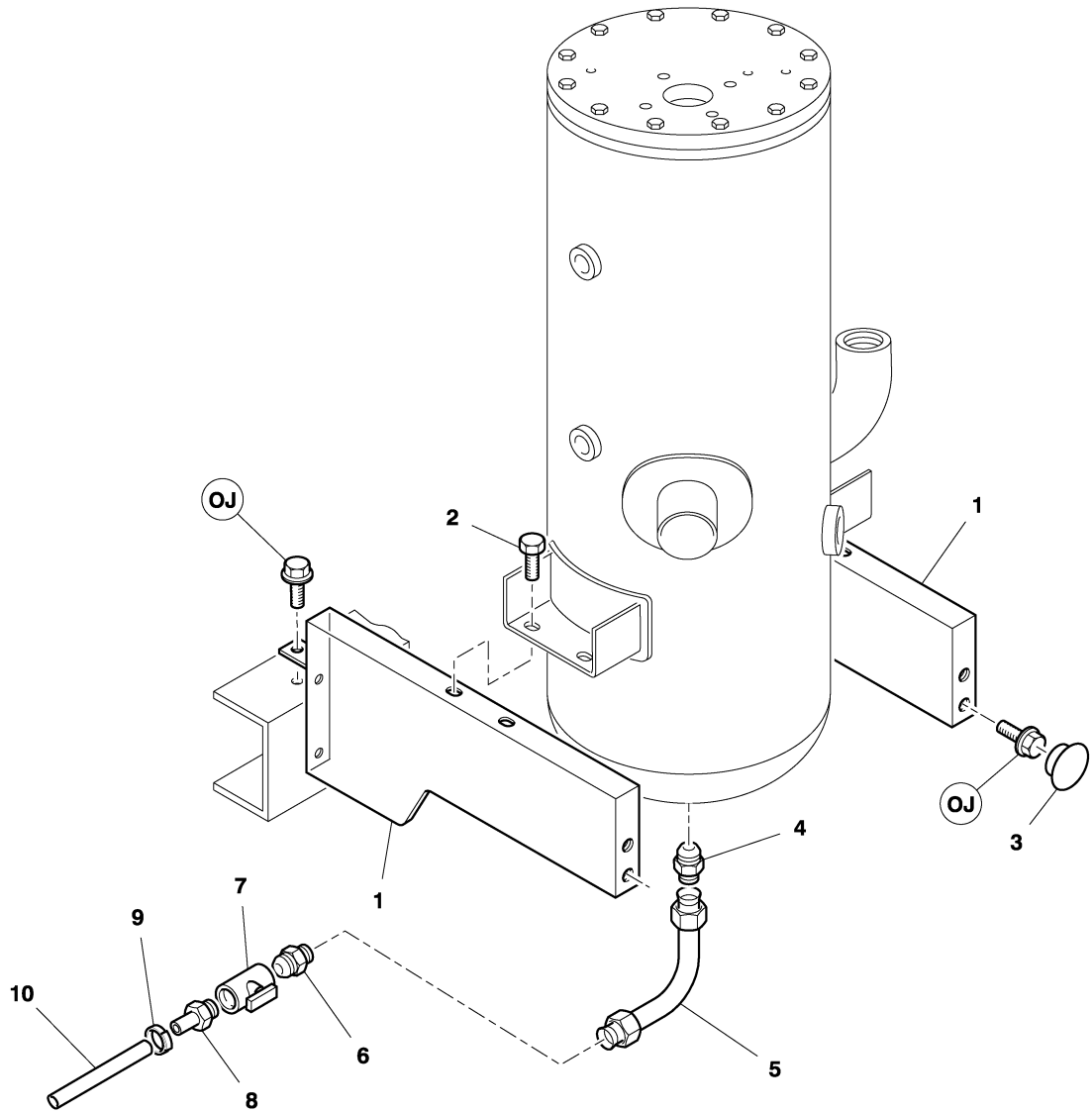
Item	ccn	Qty.	Description	Item	ccn	Qty.	Description
1-10	92095363	1	Gauge, oil level	6	92095421	2	'O' Ring
1	92095371	1	Sight-glass	7	92095439	2	Collar
2	92095389	1	Guard	8	92095447	2	Nipple
3	92095397	2	Nut, gland	9	92293661	4	Seal, sight glass
4	92095405	4	Ferrule	10	92094994	1	Indicator
5	92095413	2	'O' Ring				

SHP825 XHP750 XHP650



T2242
Revision 00
11/03

Item	ccn	Qty.	Description	Item	ccn	Qty.	Description
1	36893824	1	Valve, thermostatic	19	89202022	1	Element, with gaskets
2	22141196	1	Bracket	20	92893221	1	Pipe Flexible
3	22139752	1	Tube assembly	21	36843720	1	Valve, check
4	22138721	1	Tube assembly	22	39487830	4	Gasket
5	54709928	1	Tube assembly	23	-		
6	22138259	1	Tube assembly	24	22123491	1	Bracket
7	22137939	1	Tube assembly	25	92898576	1	Clip, retaining
8	22093009	1	Pipe	26	92892967	1	Gauge, oil level
9	22144505	1	Tank, separator	27	35579630	1	Cap
10	22332605	1	Tube assembly	28	35279942	1	'O' Ring
11	36898922	1	Sensor, temperature	29	-		
12	36841138	1	Sending unit, compressor temperature gauge	30	35279025	2	Screw
13	35602473	1	Valve, ball	31	36877793	4	Screw
14	89299424	1	Hose assembly	32	95934543	3	Screw
15	54576038	1	Tube assembly	33	35279025	2	Screw
16	92892934	1	Valve, safety	34	95431292	2	Elbow
17	92895267	1	Hose	35	92895317	1	Adaptor
18	89304059	2	Gasket				

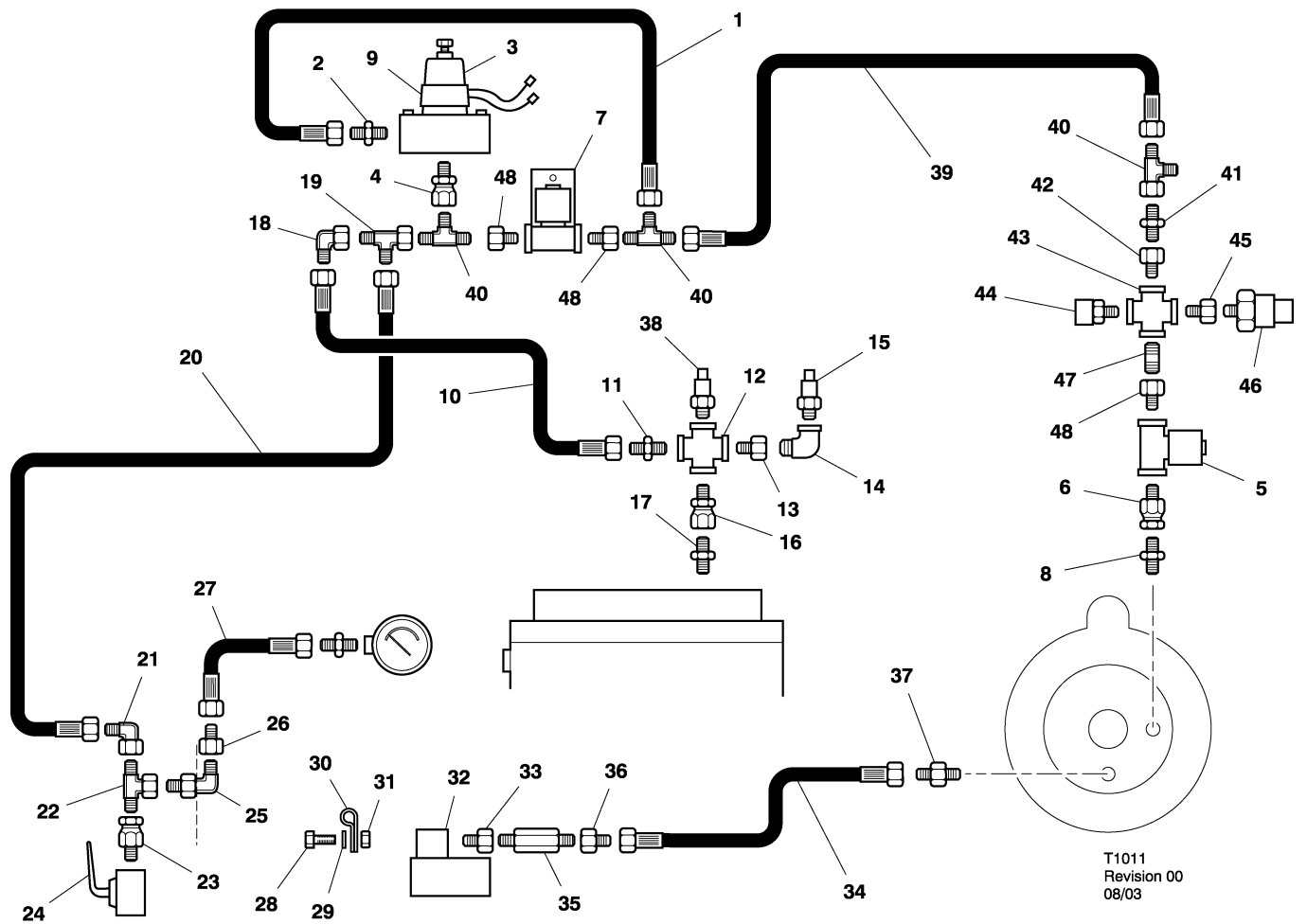


T2494
Revision 00
10/03

Item	ccn	Qty.	Description	Item	ccn	Qty.	Description
1	22124291	2	Bracket SRG	5	54518667	1	Tube assembly
	22182984	2	Bracket HSRG	6	92419563	1	Connector
2	36877793	4	Screw	7	92043116	1	Valve
3	89297642	1	Cap	8	36891497	1	Connector
4	92984657	1	Connector	9	92253194	1	Clamp
				10	92031657	1	Hose

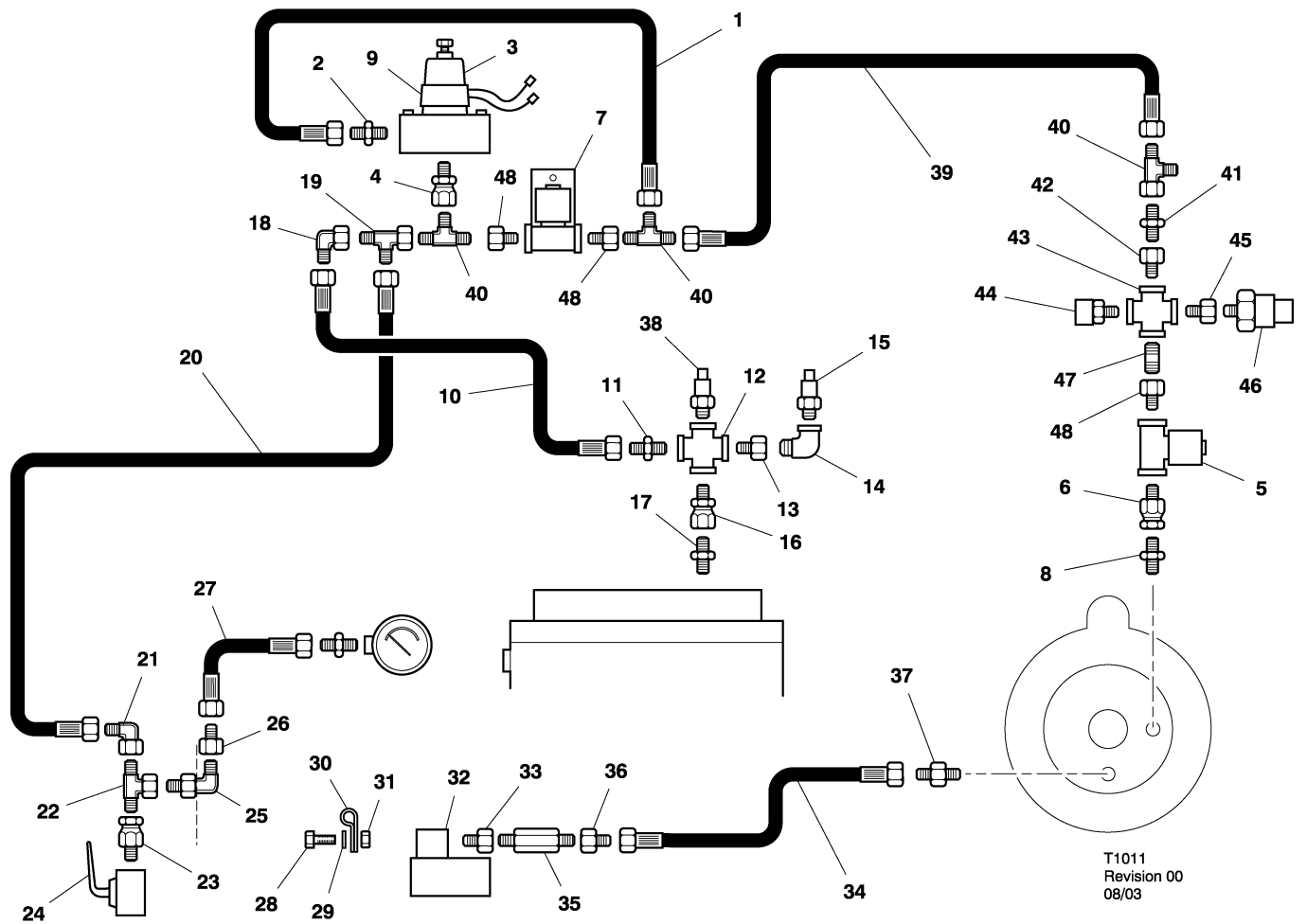
41 REGULATION SYSTEM

9/230 9/270 9/300 12/235
 VHP750 MHP825 HP935
 XP950 XP1060

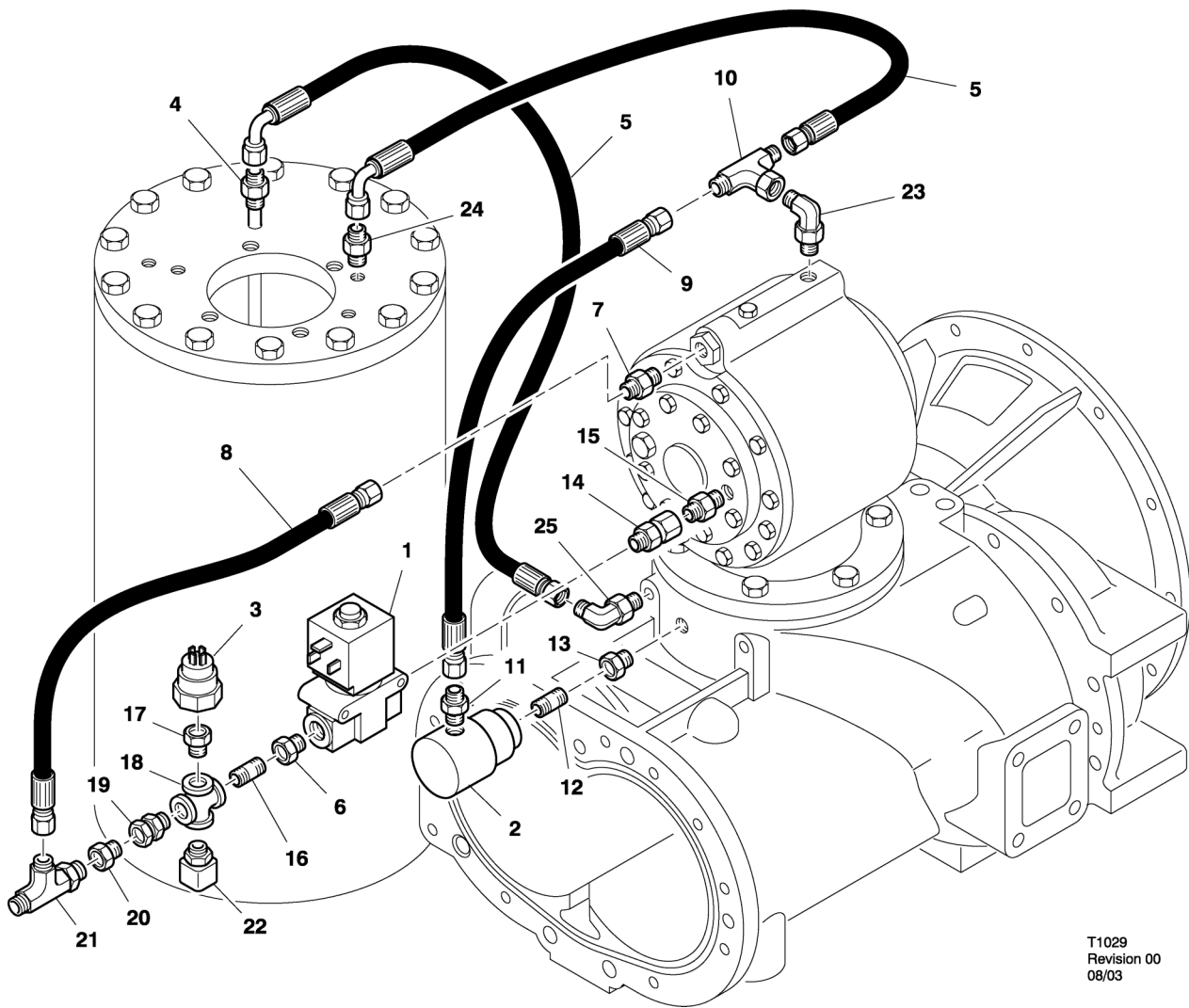


Item	ccn	Qty.	Description	Item	ccn	Qty.	Description
1	35282946	1	Hose assembly	16	35290147	1	Adaptor
2	35284082	1	Adaptor	17	92042936	1	Adaptor
3	36896892	1	Regulator 12/235, VHP750, MHP825	18	35279827	1	Elbow
	36854149	1	Regulator 9/230, 9/270, 9/300, HP935, XP950, XP1060	19	95415667	1	Tee
4	35367846	1	Adaptor	20	35282979	1	Hose assembly
5	36840841	1	Valve, solenoid	21	35279827	1	Elbow
6	35368927	1	Connector	22	35283092	1	Tee
7	36840841	1	Valve, solenoid	23	35367846	1	Adaptor
8	36840460	1	Adaptor	24	35324839	1	Valve, ball
9	36854677	1	Heater	25	36852499	1	Elbow
10	92963529	1	Hose assembly	26	35306091	1	Adaptor
11	35290147	1	Adaptor	27	35283241	1	Hose assembly
12	95659280	1	Cross	28	30898096	2	Screw
13	95953899	1	Adaptor	29	95935029	2	Washer
14	95757183	1	Elbow	30	35119718	2	Clip, hose
15	54496773	1	Transducer, pressure (0–225psi)	31	36898104	2	Nut
				32	36850691	1	Compressor

9/230 9/270 9/300 12/235
 VHP750 MHP825 HP935
 XP950 XP1060



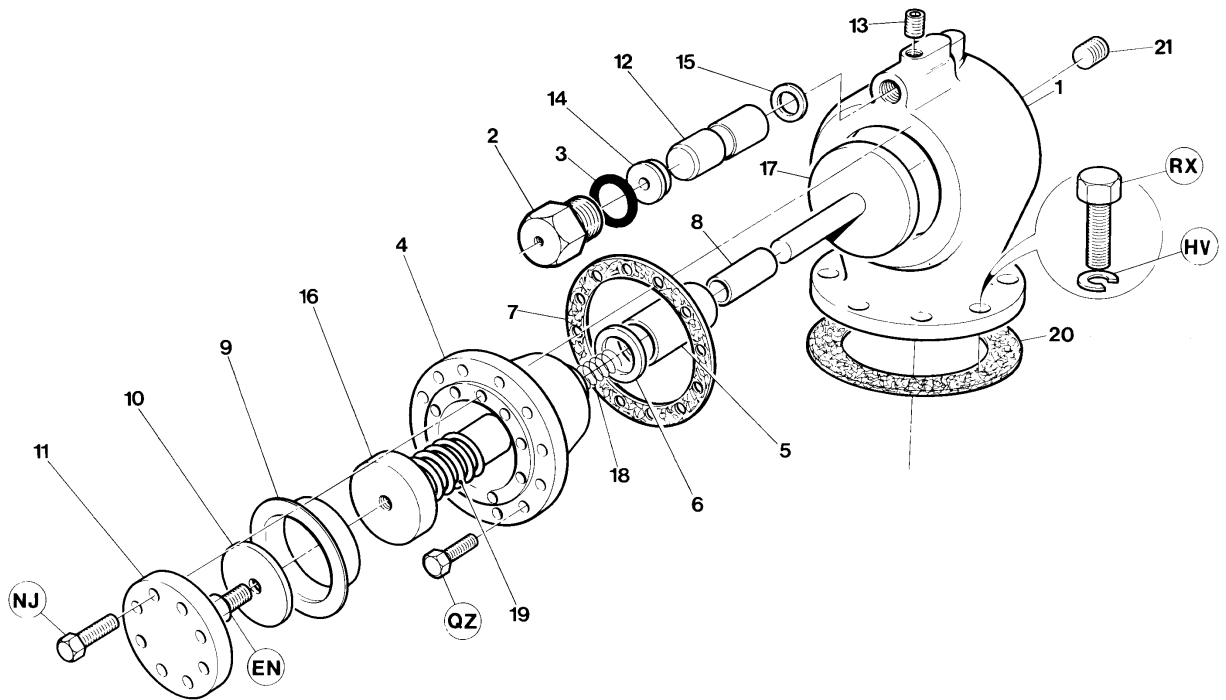
Item	ccn	Qty.	Description	Item	ccn	Qty.	Description
33	22246714	1	Adaptor	42	35284082	1	Adaptor
34	35282920	1	Hose assembly	43	95954293	1	Cross
35	35248145	1	Valve, check	44	35322346	1	Orifice
36	35294487	1	Adaptor	45	95930301	1	Adaptor
37	35283472	1	Adaptor	46	36920825	1	Transducer, pressure (0-100psi)
38	36898922	1	Sensor, temperature	47	95944575	1	Nipple
39	35283282	1	Hose assembly	48	95940748	3	Adaptor
40	35283050	3	Tee				
41	35321983	1	Adaptor				



T1029
Revision 00
08/03

Item	ccn	Qty.	Description	Item	ccn	Qty.	Description
1	36840841	1	Valve, solenoid	13	35302314	1	Adaptor
2	35322379	1	Valve, blowdown	14	35368927	1	Connector
3	36920825	1	Transducer, pressure 0-100psi	15	36840460	1	Adaptor
4	89298335	1	Drop-tube 9/230, 9/270, 9/300, 12/235 VHP750, MHP825, HP935, XP950 XP1060	16	95944575	1	Nipple
5	89289185	2	Hose assembly	17	95930301	1	Adaptor
6	95940748	1	Adaptor	18	95954293	1	Tee
7	95365078	1	Adaptor	19	35284082	1	Adaptor
8	35311026	1	Hose assembly	20	35321983	1	Adaptor
9	35323724	1	Hose assembly	21	35283050	1	Tee
10	35283092	1	Tee	22	35322346	1	Orifice
11	35284082	1	Adaptor	23	35279827	1	Elbow
12	95667341	1	Nipple	24	92042936	1	Adaptor
				25	92080811	1	Elbow Orifice

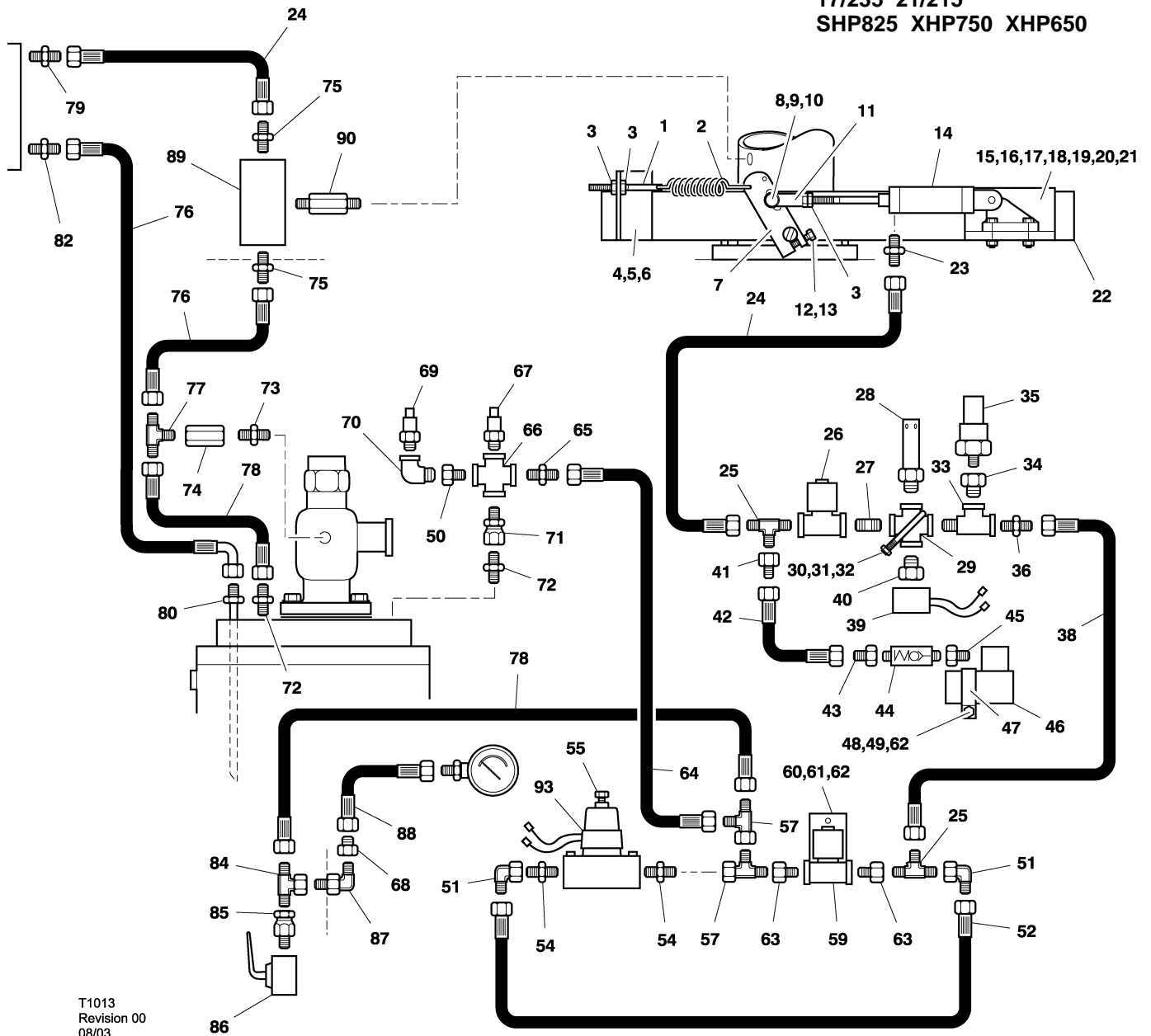
9/230 9/270 9/300 12/235
 VHP750 MHP825 HP935
 XP950 XP1060



17-28

Item	ccn	Qty.	Description	Item	ccn	Qty.	Description
1-19	35072222	1	Valve, unloader	11	35591189	1	Cover
1	36722452	1	Body	12	35328210	1	Valve
2	35328236	1	Adaptor	13	95263190	1	Plug
3	95765806	2	'O' Ring	14	35331578	1	Grommet
4	36722460	1	Housing	15	35331586	1	Grommet
5	35328228	1	Bush	16	35591163	1	Piston
6	35328244	1	Seal	17	92697333	1	Valve assembly
7	35328251	1	Gasket	18	35332683	1	Spring
8	35328269	1	Bush	19	35332691	1	Spring
9	35592534	1	Diaphragm, unloader valve	20	95214524	1	Gasket
10	35327204	1	Washer	21	92257401	1	Plug

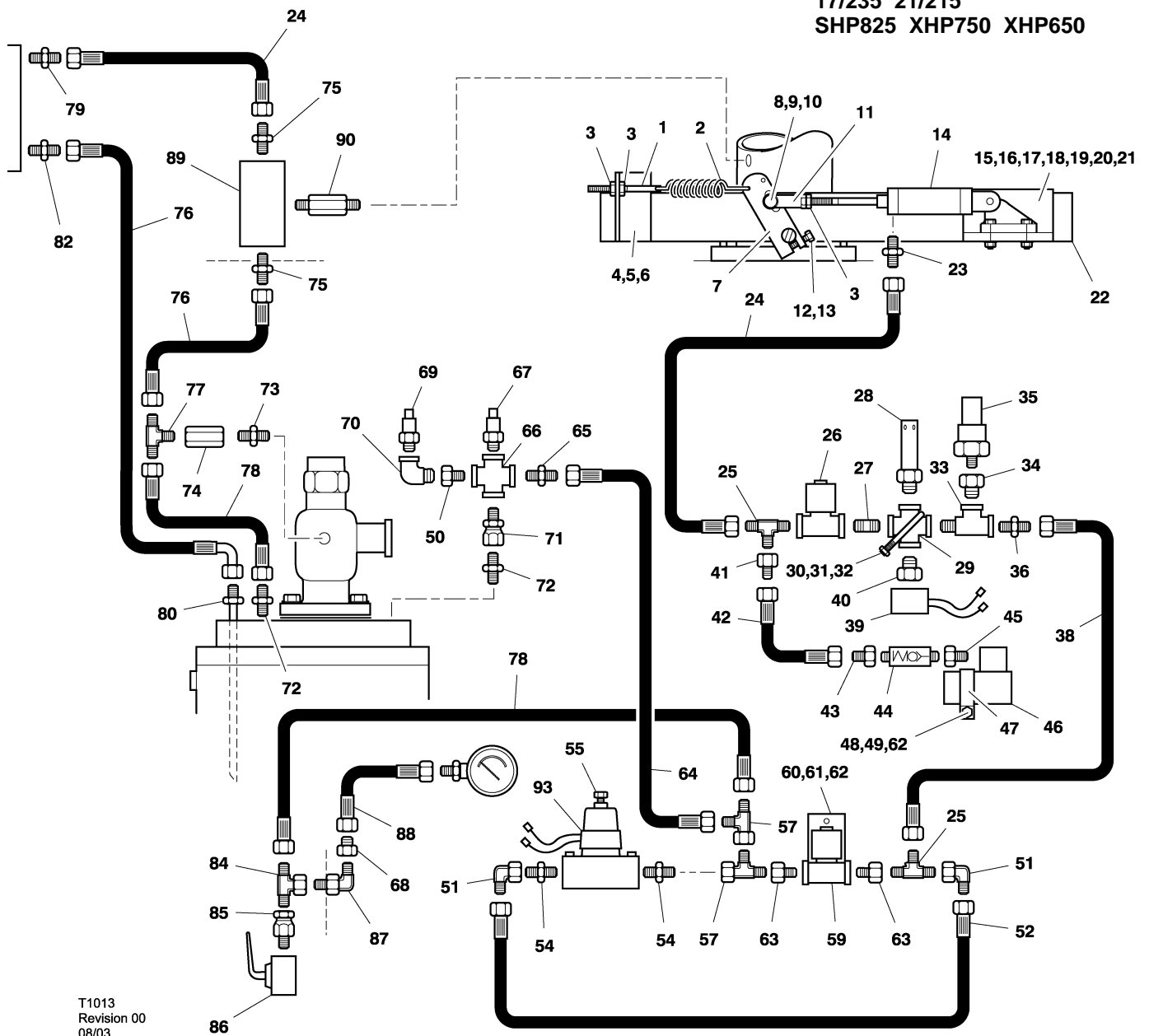
17/235 21/215
SHP825 XHP750 XHP650



T1013
Revision 00
08/03

Item	ccn	Qty.	Description	Item	ccn	Qty.	Description
1	92912021	1	Rod	16	92304492	4	Nut
2	35317700	1	Spring	17	92340058	4	Screw
3	96735550	5	Nut	18			
4	89252118	1	Bracket	19	92304583	8	Washer
5	36889608	2	Screw	20	36889608	2	Screw
6	36881886	2	Nut	21	36881886	2	Nut
7	89252126	1	Lever	22	89201768	1	Bracket
8	96719265	1	Screw	23	92118462	1	Adaptor
9	95935037	1	Washer	24	92079474	2	Hose assembly
10	36879195	1	Nut	25	35283050	2	Tee
11	89201966	1	Ball-joint	26	36842318	1	Valve, solenoid
12	95935029	1	Washer	27	95242442	1	Nipple
13	96701461	1	Screw	28	35325133	1	Valve, safety
14	89249072	1	Cylinder assembly	29	95588505	1	Cross
15	89202188	1	Bracket	30	35166404	1	Bolt, U

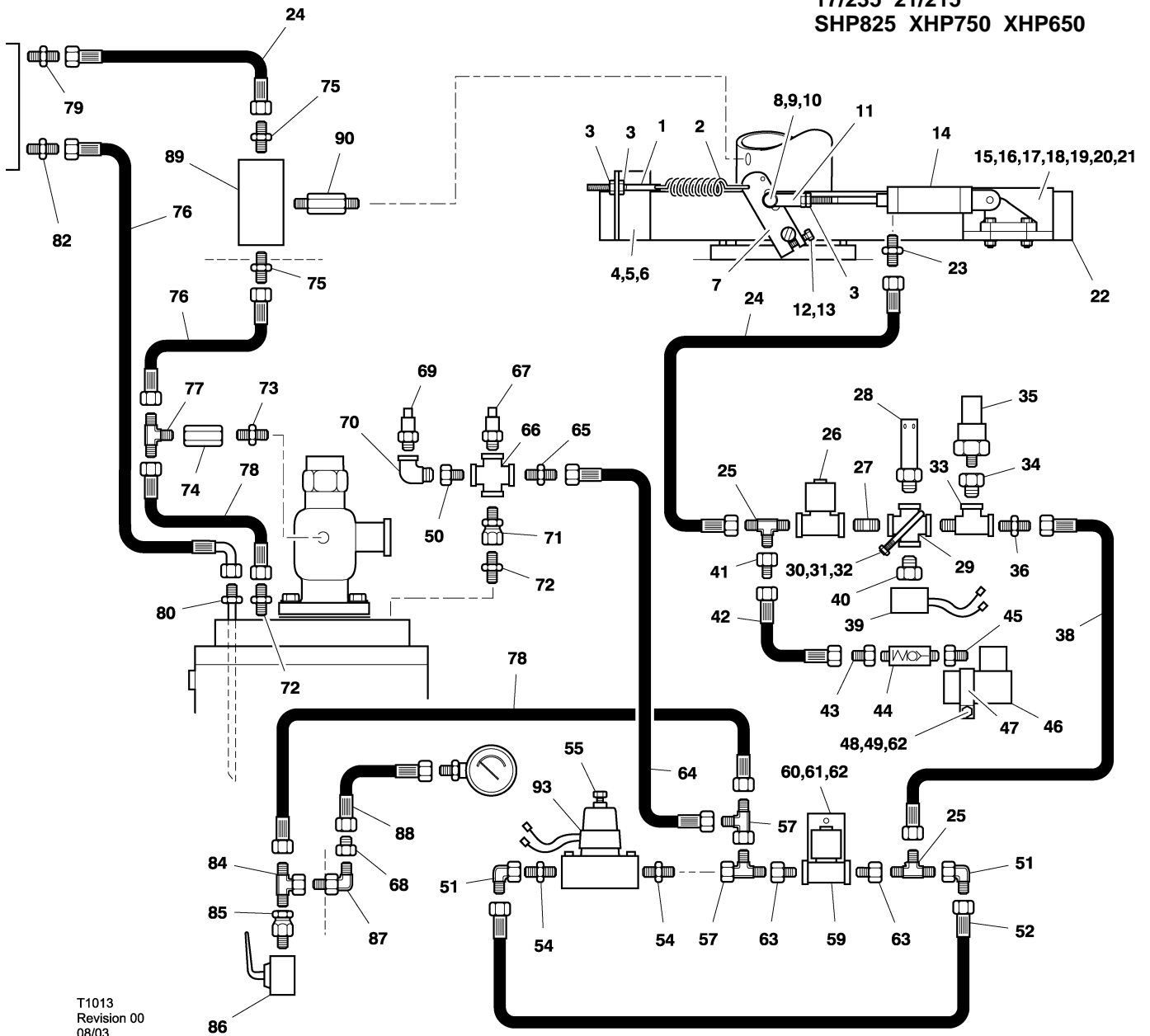
17/235 21/215
 SHP825 XHP750 XHP650



T1013
 Revision 00
 08/03

Item	ccn	Qty.	Description	Item	ccn	Qty.	Description
31	95935029	1	Washer	45	22246714	1	Adaptor
32	95923298	1	Nut	46	36850691	1	Compressor
33	95944690	1	Tee	47	35119718	2	Clamp
34	95930301	1	Adaptor	48	36898096	2	Screw
35	36920825	1	Transducer, pressure 0-100psi	49	95935029	2	Washer
36	35284082	1	Adaptor	50	95953899	1	Reducer
37				51	35283068	2	Elbow
38	35284504	1	Hose assembly	52	35323724	1	Hose assembly
39	36841526	1	Heater	53			
40	35322346	1	Orifice	54	92478387	2	Adaptor
41	35306091	1	Adaptor	55	92956093	1	Regulator
42	35282920	1	Hose assembly	56			
43	35294487	1	Adaptor	57	95415667	2	Tee
44	35248145	1	Valve, check	58			
				59	36842300	1	Valve, solenoid

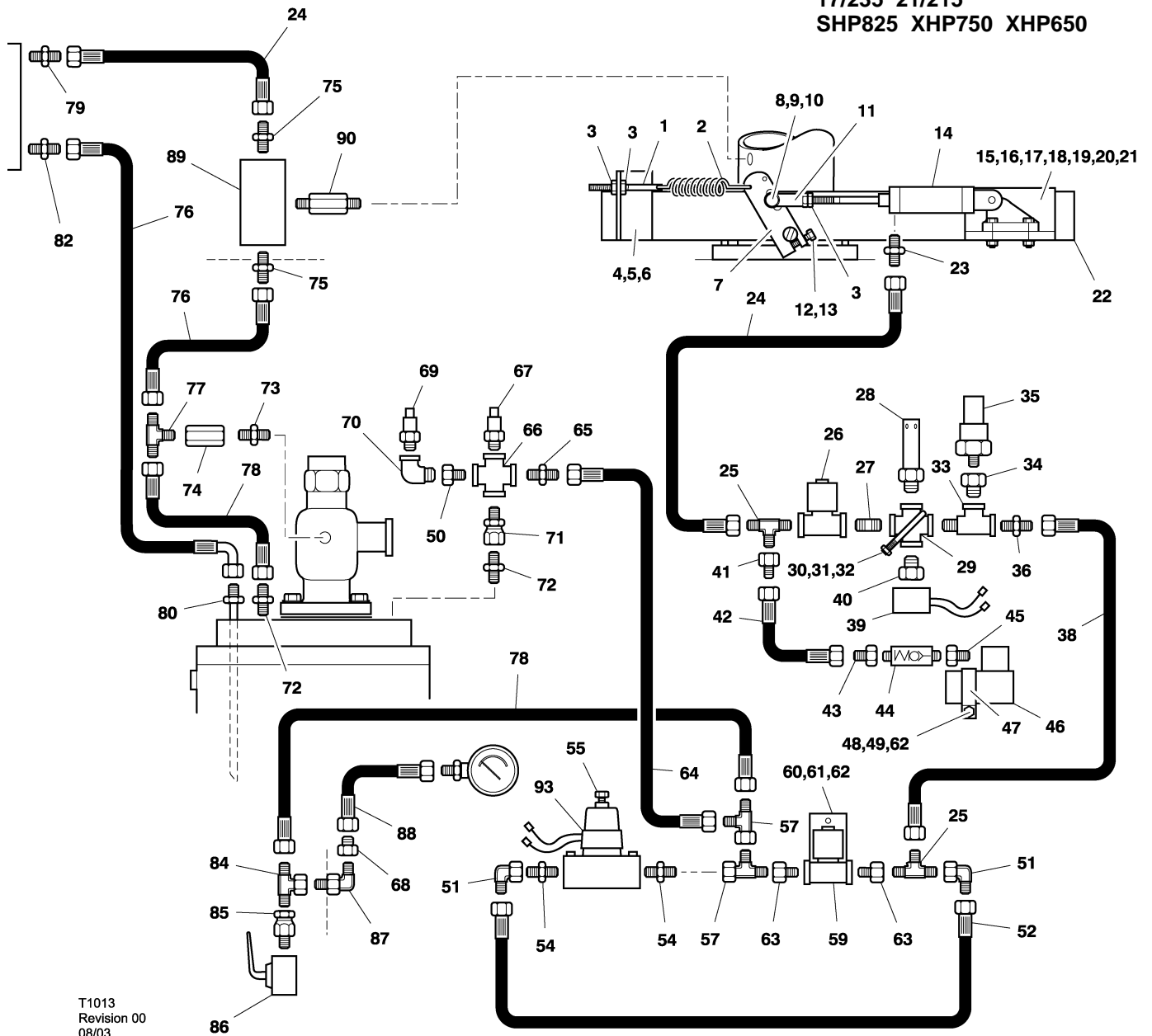
17/235 21/215
SHP825 XHP750 XHP650



T1013
Revision 00
08/03

Item	ccn	Qty.	Description	Item	ccn	Qty.	Description
60	22130314	1	Bracket	67	36898922	1	Sensor, temperature
61	36898096	1	Screw	68	35306091	1	Adaptor
62	36898104	3	Nut	69	54765946	1	Switch
63	95940748	2	Adaptor	70	95757183	1	Elbow
64	35294719	1	Hose assembly	71	35290147	1	Adaptor
65	35290147	1	Adaptor	72	92042936	2	Adaptor
66	95659280	1	Cross				

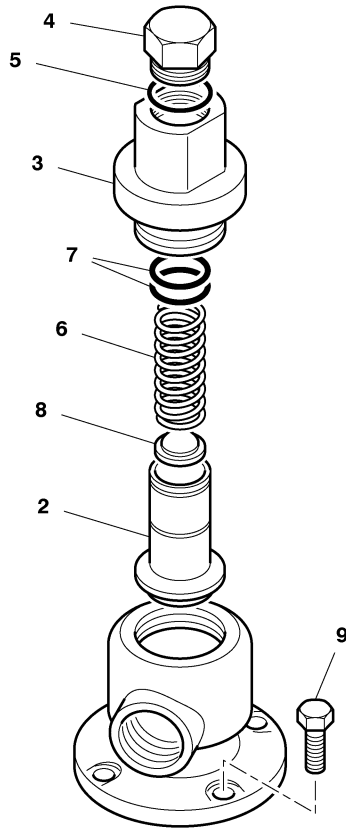
17/235 21/215
 SHP825 XHP750 XHP650



T1013
 Revision 00
 08/03

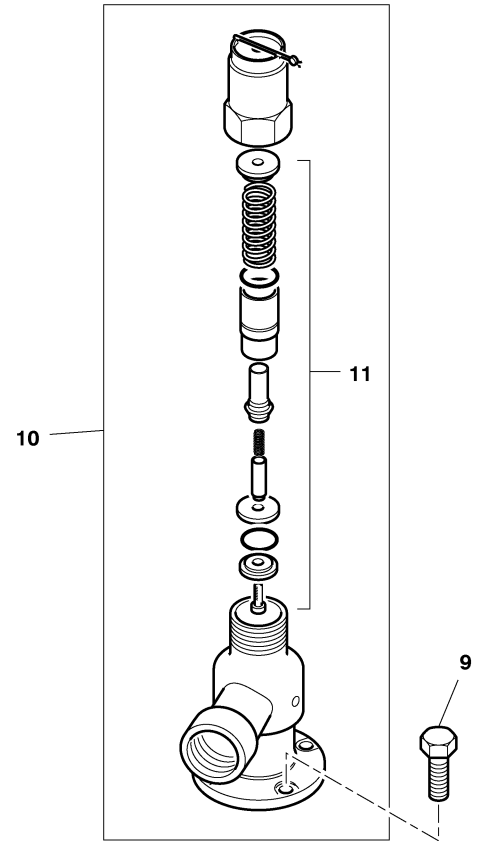
Item	ccn	Qty.	Description	Item	ccn	Qty.	Description
73	92415363	1	Adaptor	84	35283092	1	Tee
74	92101054	1	Valve, check	85	35367846	1	Adaptor
75	92042936	2	Adaptor	86	35324839	1	Valve, ball
76	54718432	2	Hose assembly	87	36852499	1	Elbow
77	92971803	1	Tee	88	35283241	1	Hose assembly
78	35283282	2	Hose assembly	89	92892959	1	Valve, auto blowdown
79	95938114	1	Adaptor	90	92971811	1	Adaptor, orifice
80	22231476	1	Scavenge tube	91	92042936	1	Adaptor
81	-			92	92079479	1	Hose assembly
82	92955244	1	Adaptor, orifice	93	36854677	1	Heater
83	35283282	1	Hose assembly				

9/230 9/270 9/300 12/235
 VHP750 MHP825 HP935
 XP950 XP1060

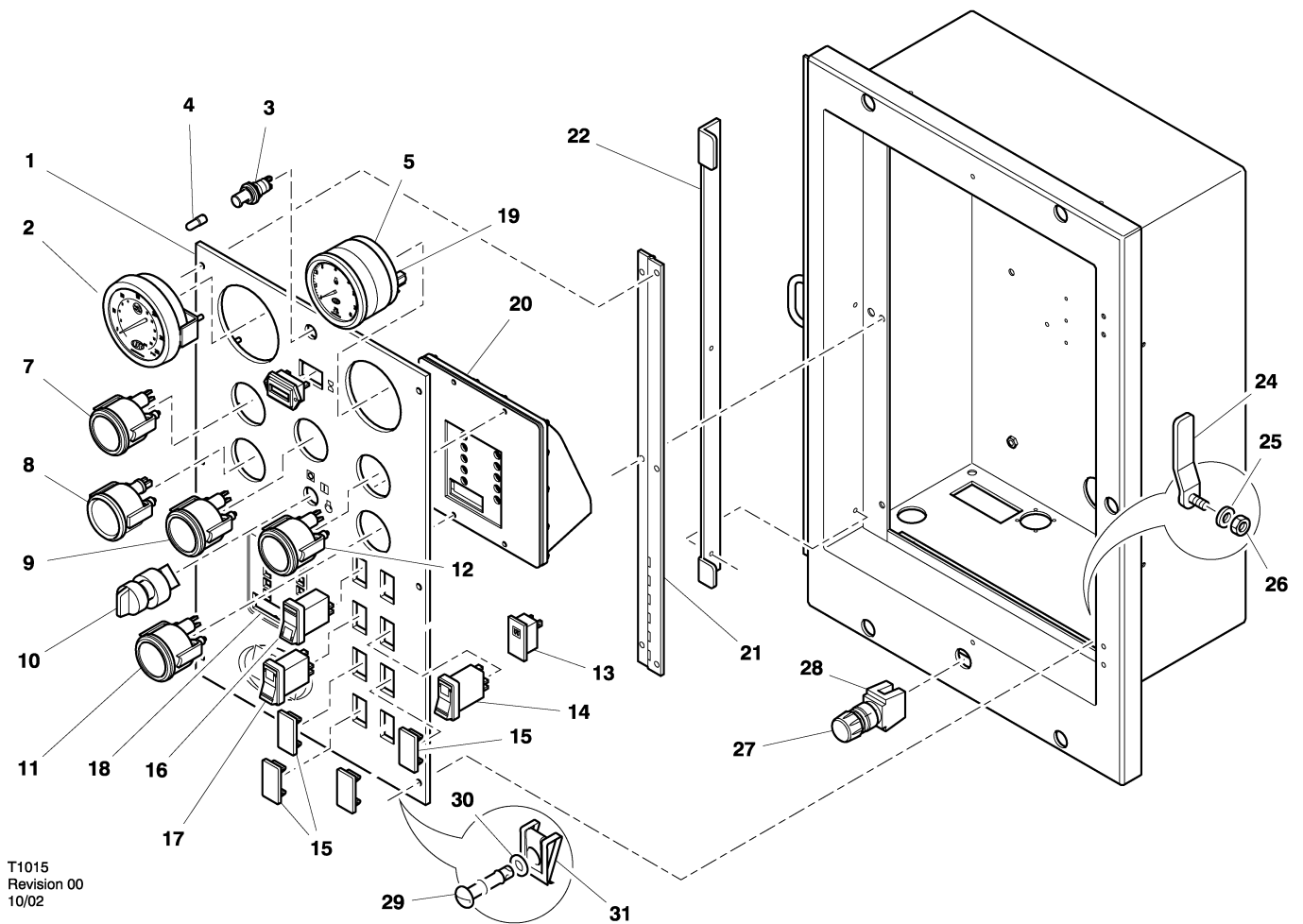


T1014
 Revision 00
 08/03

17/235 21/215
 SHP825 XHP750 XHP650

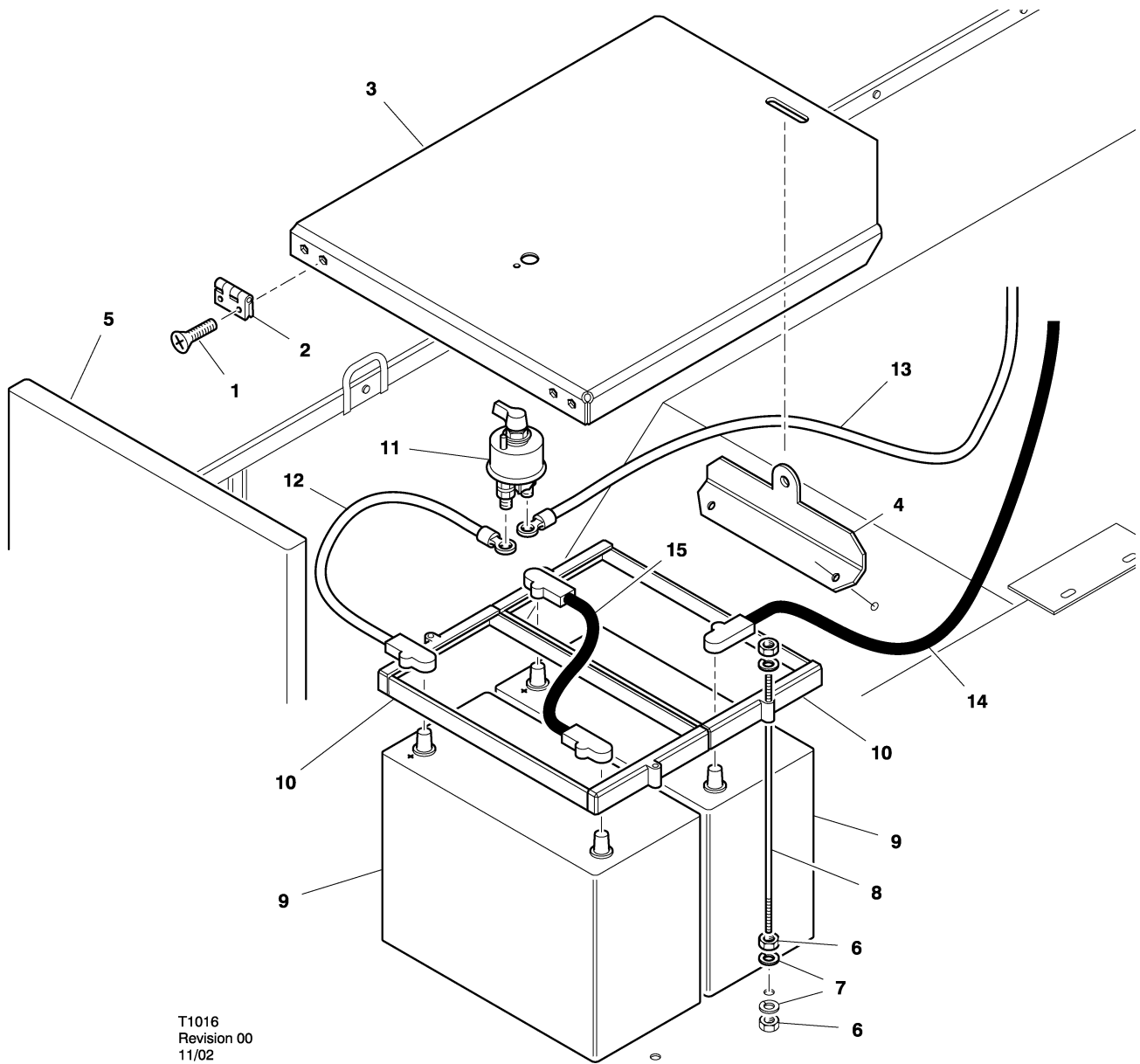


Item	ccn	Qty.	Description	Item	ccn	Qty.	Description
1-8	54571765	1	Valve, minimum pressure 9/230 9/270 9/300 12/235 VHP750 MHP825 HP935 XP950 XP1060	10	92892975	1	Valve, minimum pressure 17/235, 21/215 SHP825 XHP750 XHP650
1	89286785	1	Body	11	92951075	1	Kit, minimum pressure valve 17/235, 21/215 SHP825 XHP750 XHP650
2	92044098	1	Piston				
3	92061944	1	Housing				
4	35579630	1	Plug				
5	35279942	1	'O' Ring				
6	35318161	1	Spring				
7	95823688	2	'O' Ring				
8	92032648	1	Spacer				
9	35375385	4	Screw				



T1015
Revision 00
10/02

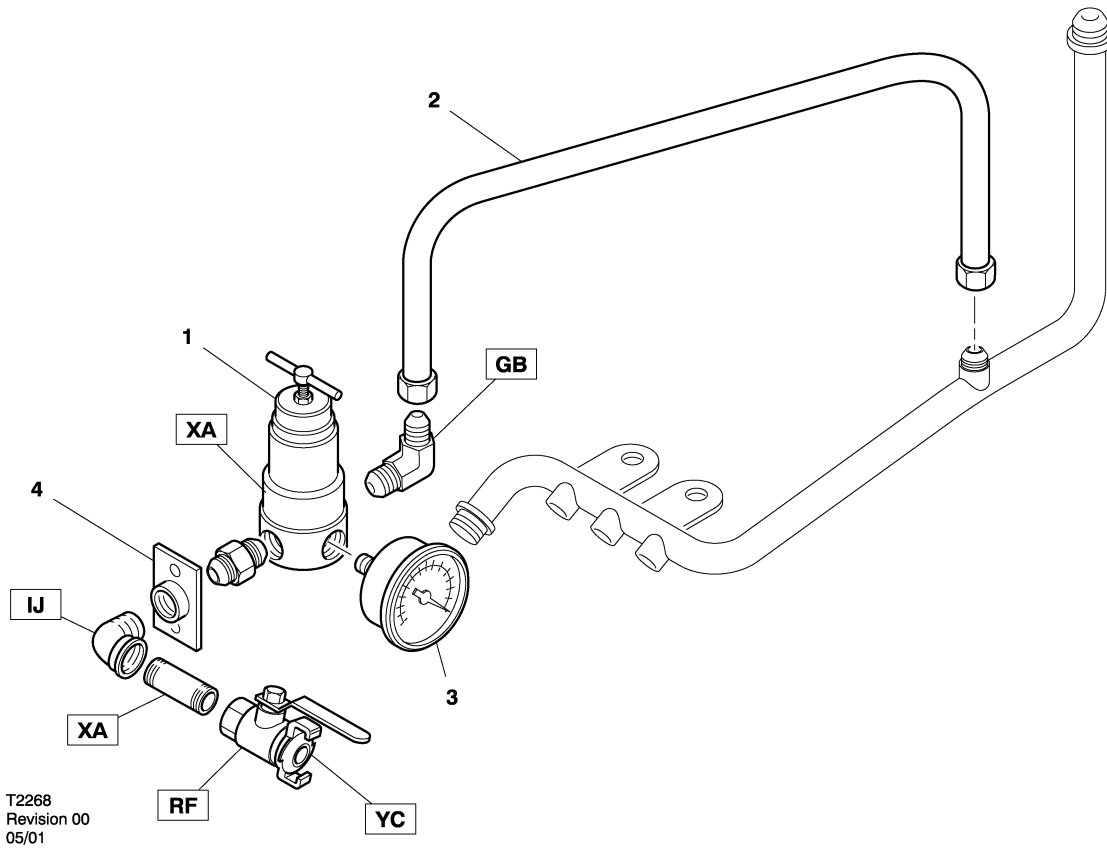
Item	ccn	Qty.	Description	Item	ccn	Qty.	Description
1	22105571	1	Panel	12	22105621	1	Gauge, water temperature S/N 332157 – 336844
2	22105639	1	Gauge, pressure 300psi	35604115	1	Gauge, water temperature S/N 336845 – 339151	
	36841468	1	Gauge, pressure 600psi	22327266	1	Gauge, water temperature S/N 339152 ->	
3	36852622	1	Light	13	22050553	1	Light module
4	22113880	1	Bulb, light	14	22053896	1	Switch, light
5	22055883	1	Tachometer Alternator	15	22054142	4	Cover
6	54766704	1	Hourmeter	16	22054076	1	Switch, push after warm up
7	22105613	1	Gauge, temperature (discharge) S/N 332157 – 336844	17	22054050	1	Switch, heater
	35604115	1	Gauge, temperature (discharge) S/N 336845 – 339151	18	22055800	1	Decal
	22327266	1	Gauge, temperature (discharge) S/N 339152 ->	19	22054159	2	Nut
8	36841153	1	Gauge, voltmeter	20	22173579	1	Wedge controller
9	22050991	1	Gauge, fuel	21	36840908	1	Hinge
10	22134118	1	Switch, start	22	22105134	1	Support
11	22277057	1	Gauge, pressure S/N 332157 – 336844	23			
	36870590	1	Gauge, pressure S/N 336845 – 339151	24	35603349	1	Latch
	22277057	1	Gauge, pressure S/N 339152 ->	25	95935037	1	Washer
				26	35273366	1	Nut
				27	89303127	1	Button, emergency stop
				28	89303135	2	Contact modules, emergency stop
				29	36844124	3	Fastener – 1/4 turn
				30	35369180	3	Retainer
				31	35314582	3	Receptacle, fastener



T1016
Revision 00
11/02

Item	ccn	Qty.	Description	Item	ccn	Qty.	Description
1	96745807	8	Screw	6	92398106	12	Nut
2	88152392	2	Hinge	7	92341981	8	Washer
3	22099477	1	Cover SRG	8	92776749	4	Stud
	22099469	1	Cover HSRG	9	36844975	2	Battery
4	22099584	1	Latch SRG	10	88114954	2	Clamp
	22101067	1	Latch HSRG	11	36896975	1	Switch
5	22101059	1	Hinge bracket HSRG	12	54511282	1	Cable
				13	54658331	1	Cable
				14	54658323	1	Cable
				15	35258789	1	Cable

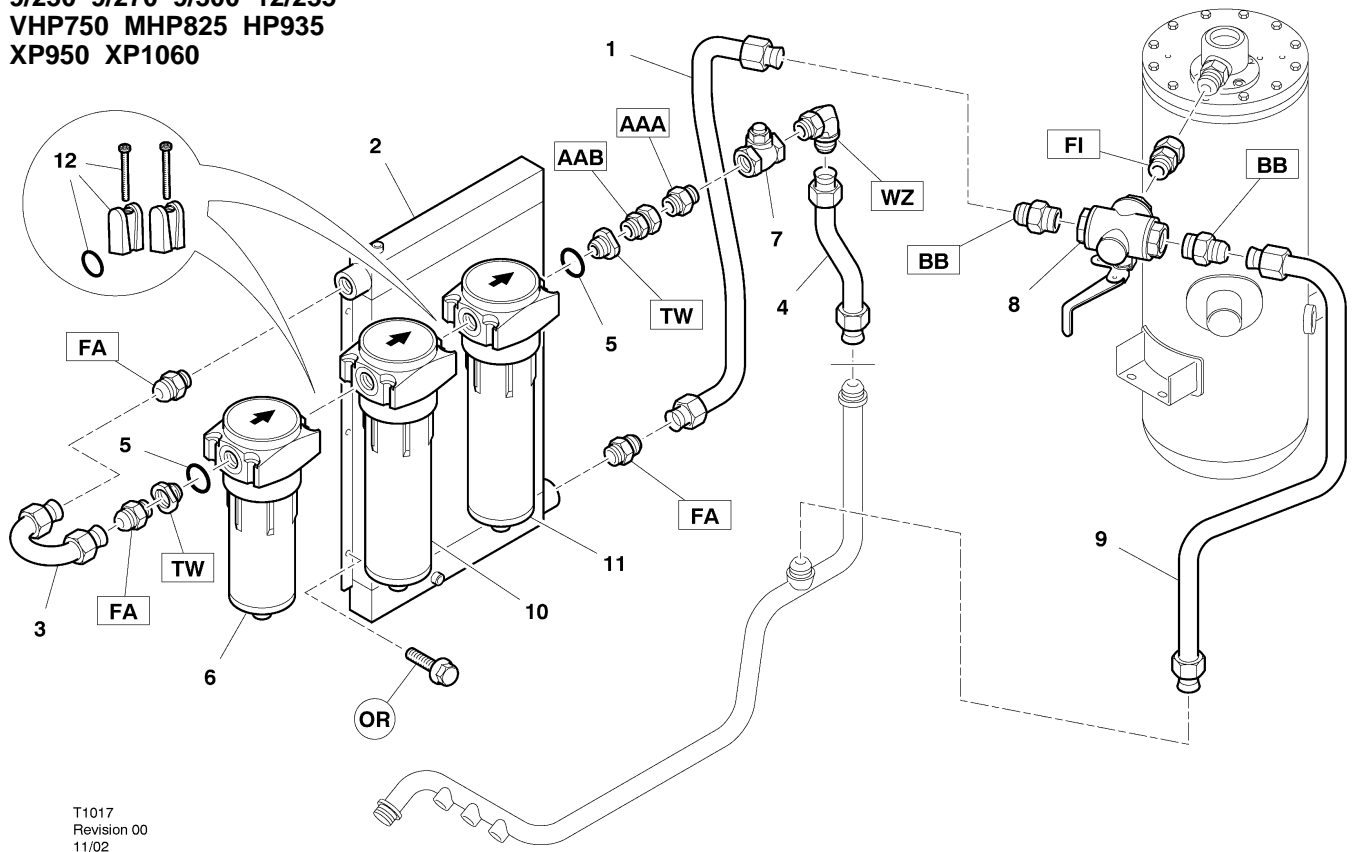
17/235 21/215
 SHP825 XHP750 XHP650



Item	ccn	Qty.	Description	Item	ccn	Qty.	Description
1	92956952	1	Valve Pressure reducer	3	92957091	1	Gauge, pressure
2	54575972	1	Tube assembly	4	92956945	1	Adaptor

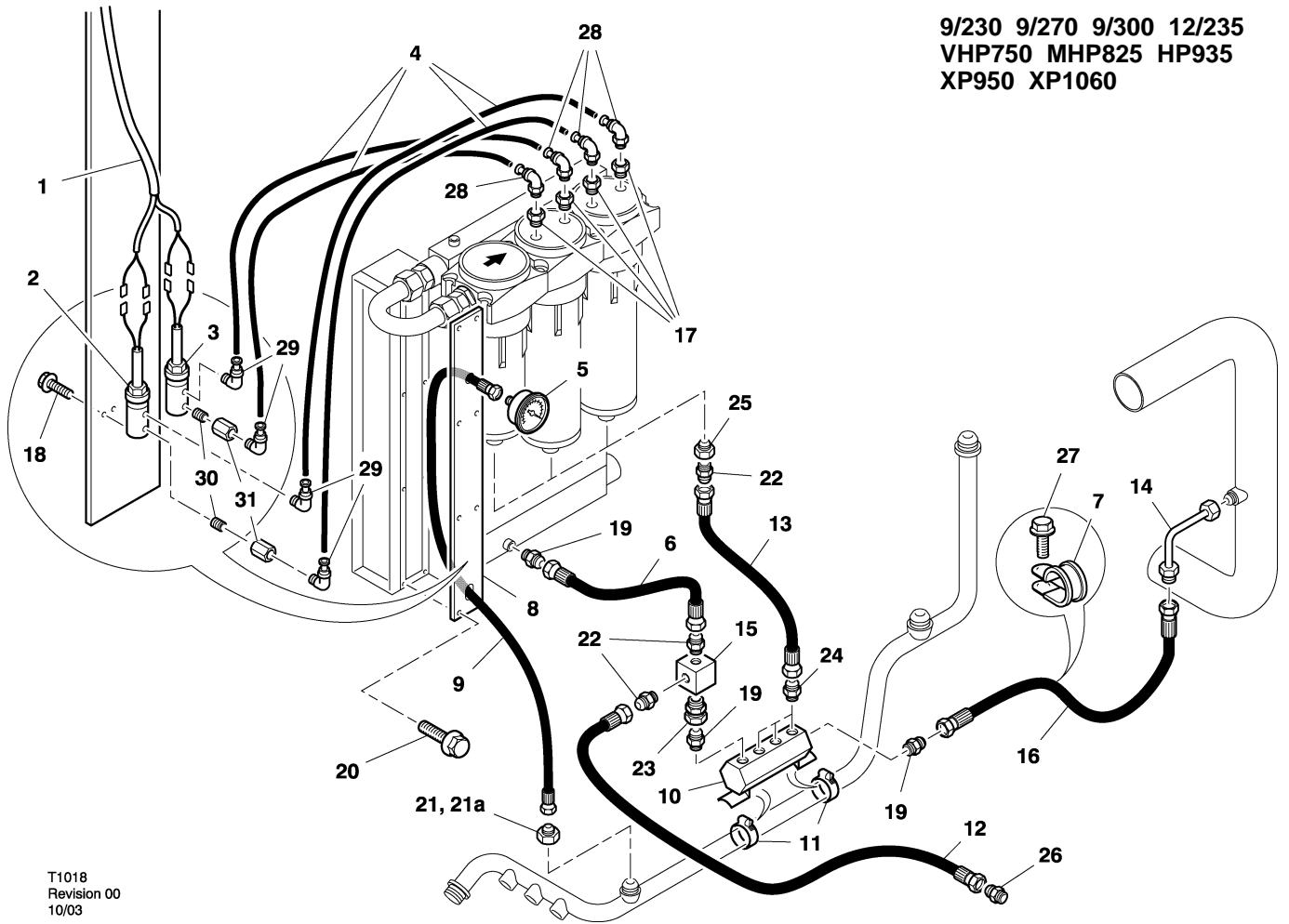
53 OPTION – IQ LP

9/230 9/270 9/300 12/235
 VHP750 MHP825 HP935
 XP950 XP1060



Item	ccn	Qty.	Description	Item	ccn	Qty.	Description
1	54575980	1	Tube assembly	8b	95928321	2	Washer
2	54709944	1	Aftercooler	8c	54591961	1	Handle, valve
3	54635602	1	Tube assembly	8d	96702055	1	Screw
4	54635610	1	Tube assembly	9	54576012	1	Tube assembly
5	92864115	2	Seal	10	92451962	1	Filter
6	91112201	1	Separator, water	10a	54739057	1	Element
7	54635586	1	Valve, check	11	92452192	1	Filter
8	54576079	1	Valve	11a	54739065	1	Element
8a	54592001	1	Plate, valve	12	91198671	2	Kit – Fixing

9/230 9/270 9/300 12/235
 VHP750 MHP825 HP935
 XP950 XP1060

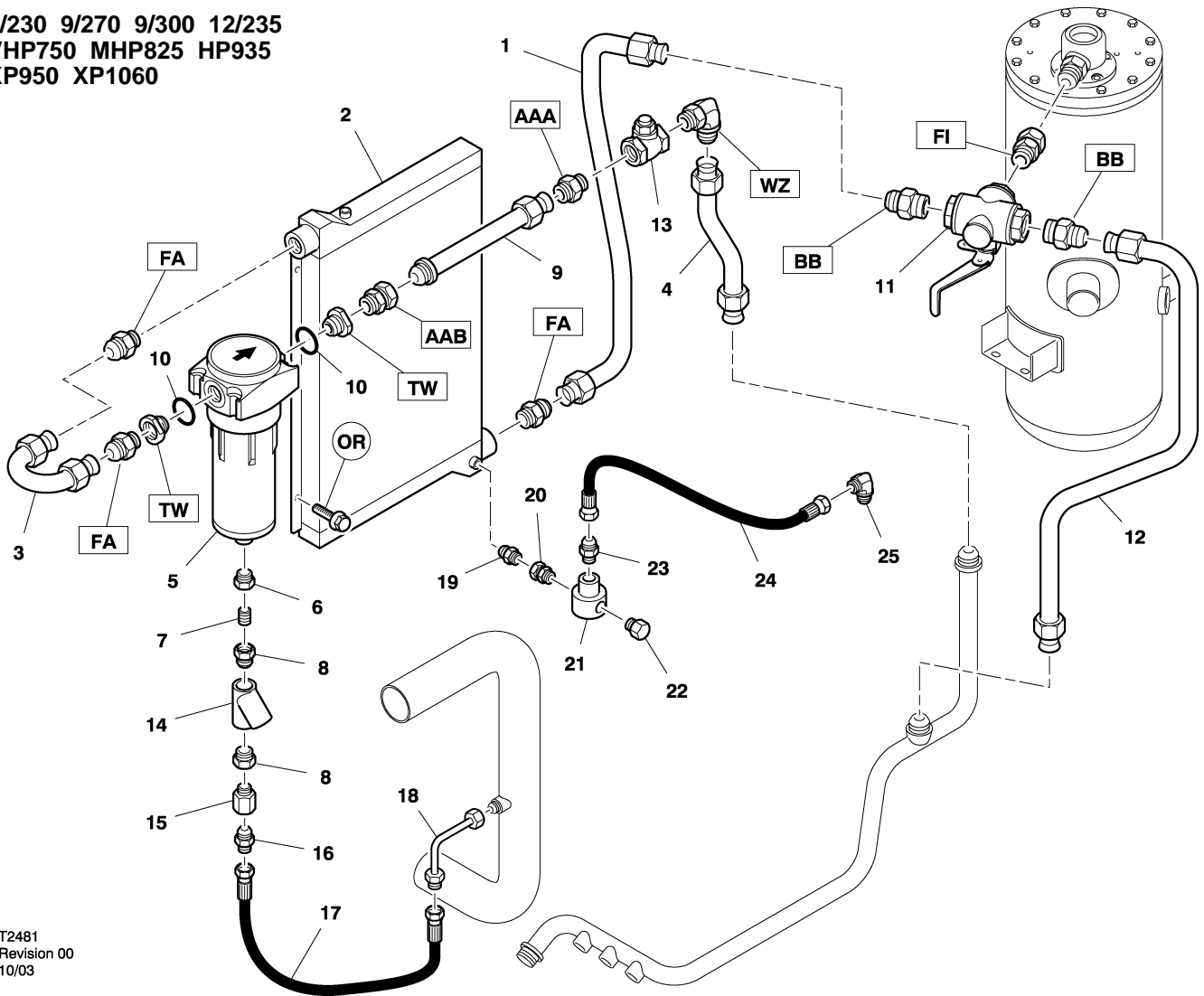


T1018
 Revision 00
 10/03

Item	ccn	Qty.	Description	Item	ccn	Qty.	Description
1	22162572	1	Harness	17	54598784	4	Adaptor
2	36899615	1	Indicator	18	95934774	4	Screw
3	36899599	1	Indicator	19	95365078	3	Adaptor
4	35335715	AR	Tube (Nylon)	20	36889608	6	Screw
5	54640255	1	Gauge, pressure	21	93186278	1	Adaptor
6	35323724	1	Hose assembly	21a	35324987	1	Nut
7	35225093	1	Clip, retaining	22	35284082	5	Adaptor
8	55571450	1	Panel	23	35367846	1	Adaptor
9	35283480	1	Hose assembly	24	54592167	3	Orifice
10	54578711	1	Manifold	25	89292411	3	Adaptor
11	35221639	2	Clip, retaining	26	35279934	1	Adaptor
12	35282987	1	Hose assembly	27	36898096	1	Screw
13	35311471	3	Hose assembly	28	92902733	4	Elbow
14	54578869	1	Tube assembly	29	35369370	4	Elbow
15	35322379	1	Valve, blowdown	30	95953493	2	Nipple
16	54579404	1	Hose assembly	31	95935599	2	Coupling

55 OPTION – Oil/Air piping (Aftercooler)

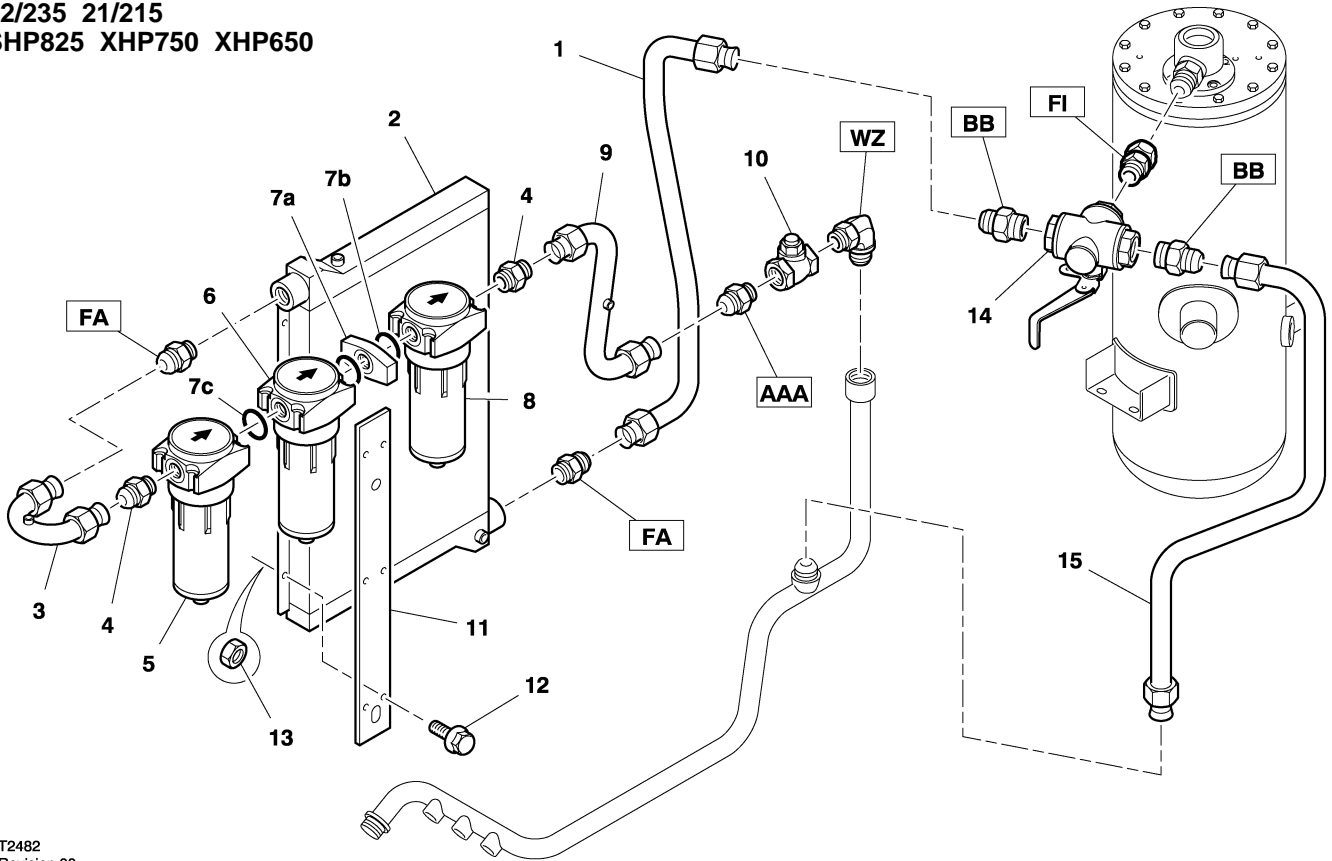
9/230 9/270 9/300 12/235
 VHP750 MHP825 HP935
 XP950 XP1060



T2481
 Revision 00
 10/03

Item	ccn	Qty.	Description	Item	ccn	Qty.	Description
1	54575980	1	Tube assembly	12	54576012	1	Tube assembly
2	54709944	1	Aftercooler	13	54635586	1	Valve, check
3	46355602	1	Tube assembly	14	36844579	1	'Y' strainer
4	54635610	1	Tube assembly	15	37081528	1	Orifice
5	91112201	1	Separator, water	16	35284082	1	Adaptor
6	89292411	1	Adaptor	17	22285795	1	Hose assembly
7	95944575	1	Nipple	18	54578869	1	Tube assembly
8	95940748	2	Adaptor	19	95365078	1	Connector
9	54401583	1	Tube assembly	20	35367846	1	Adaptor
10	92864115	2	Seal	21	35322379	1	Valve, blowdown
11	54576079	1	Valve	22	35248319	1	Orifice
11a	54592001	1	Plate, valve	23	35279934	1	Connector
11b	95928321	2	Washer	24	35283081	1	Hose assembly
11c	54591961	1	Handle, valve	25	35279934	1	Elbow
11d	96702055	1	Screw				

12/235 21/215
 SHP825 XHP750 XHP650

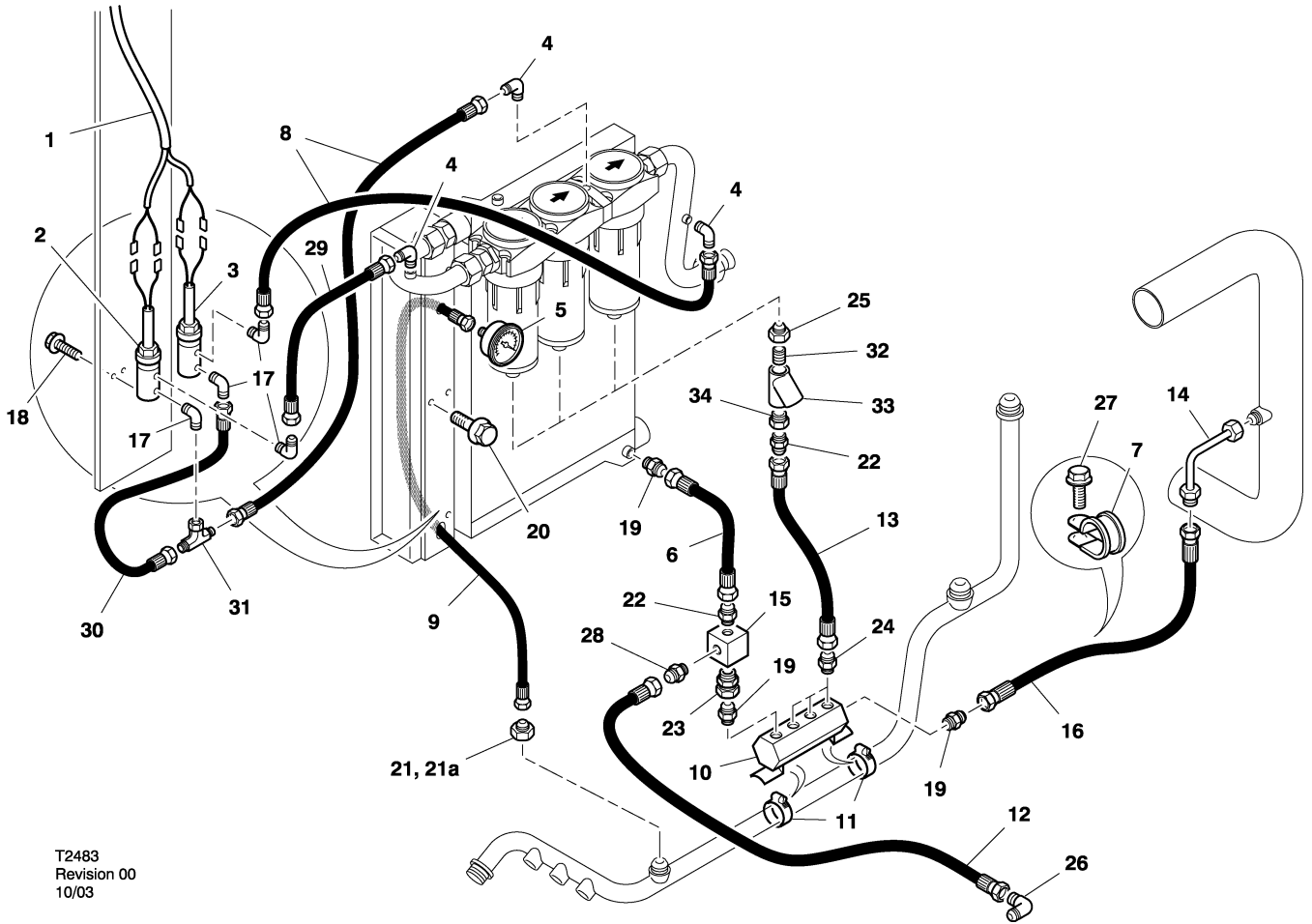


T2482
 Revision 00
 10/03

Item	ccn	Qty.	Description	Item	ccn	Qty.	Description
1	54576004	1	Tube assembly	9	22290019	1	Tube assembly
2	54709944	1	Aftercooler	10	54635586	1	Valve, check
3	54635602	1	Tube assembly	11	54571450	1	Plate, aftercooler
4	35335124	2	Connector	12	36889608	6	Screw
5	54731617	1	Separator, water	13	36881886	6	Nut
6	54731625	1	Filter, primary	14	54576079	1	Valve
7	54739008	1	Kit, water separator mounting	14a	54592001	1	Plate, valve
7a	22068845	1	Spacer, filter port	14b	95928321	2	Washer
7b	22243141	2	O-ring, IQ filter spacer	14c	54591961	1	Handle, valve
7c	22243158	1	O-ring, IQ filter	14d	96702055	1	Screw
7d	NSS	2	Tie rod, IQ filter assembly	15	54576020	1	Tube assembly
8	54738992	1	Filter, secondary				

57 OPTION – IQ Dual Filter

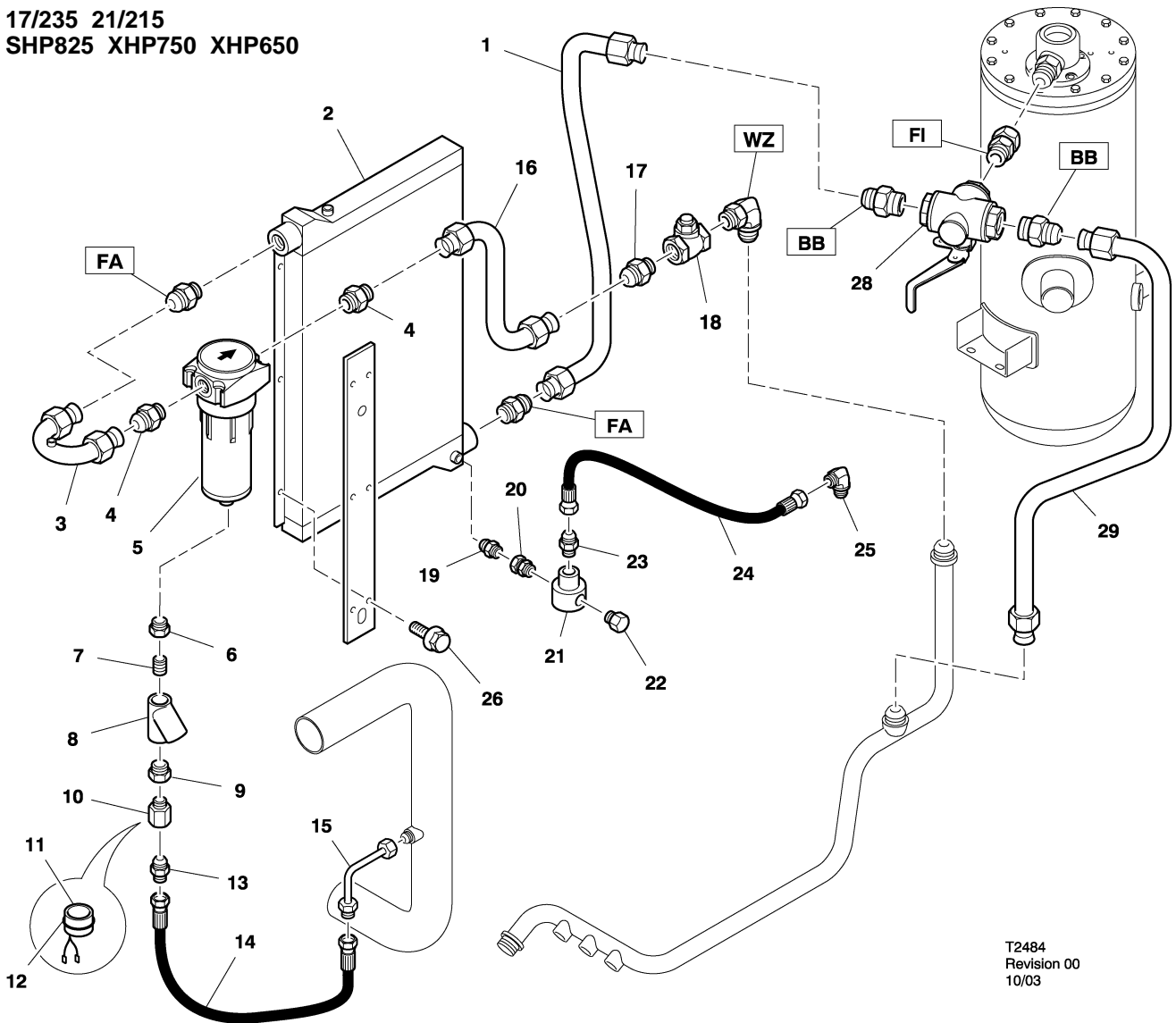
12/235 21/215
 SHP825 XHP750 XHP650



T2483
 Revision 00
 10/03

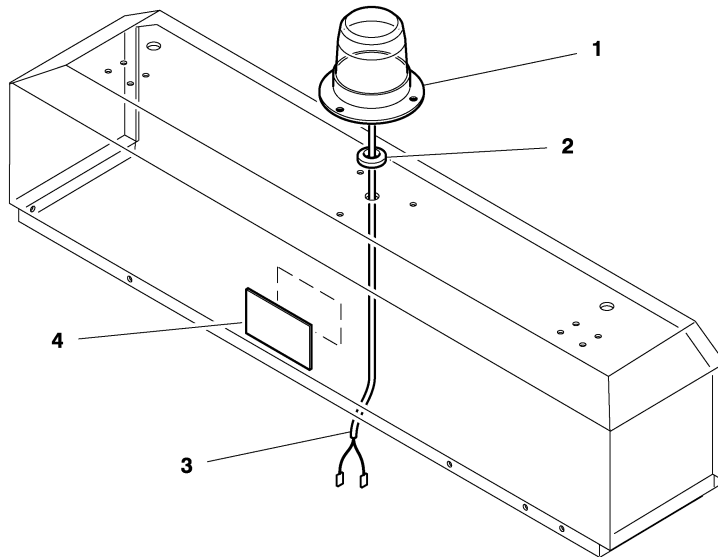
Item	ccn	Qty.	Description	Item	ccn	Qty.	Description
1	22162572	1	Harness	19	95365078	3	Adaptor
2	36899615	1	Indicator	20	36889608	6	Screw
3	36899599	1	Indicator	21	93186278	1	Adaptor
4	35283464	4	Elbow	21a	35324987	1	Nut
5	54640255	1	Gauge, pressure	22	35284082	5	Adaptor
6	35323724	1	Hose assembly	23	35367846	1	Adaptor
7	35225093	1	Clip, retaining	24	54592167	3	Adaptor, orifice
8	35283480	2	Hose assembly	25	95245353	3	Adaptor
9	35283480	1	Hose assembly	26	35301225	1	Elbow
10	54578711	1	Manifold	27	36898096	1	Screw
11	35221639	2	Clip, retaining	28	35283472	1	Connector
12	35283498	1	Hose assembly	29	35288034	1	Hose assembly
13	35311471	3	Hose assembly	30	35310960	1	Hose assembly
14	54578869	1	Tube assembly	31	35323591	1	Tee
15	35322379	1	Valve, blowdown	32	95772562	3	Nipple
16	54579404	1	Hose assembly	33	36844579	3	"Y" Strainer
17	35306687	4	Elbow	34	95940748	3	Adaptor
18	95934774	4	Screw				

17/235 21/215
SHP825 XHP750 XHP650



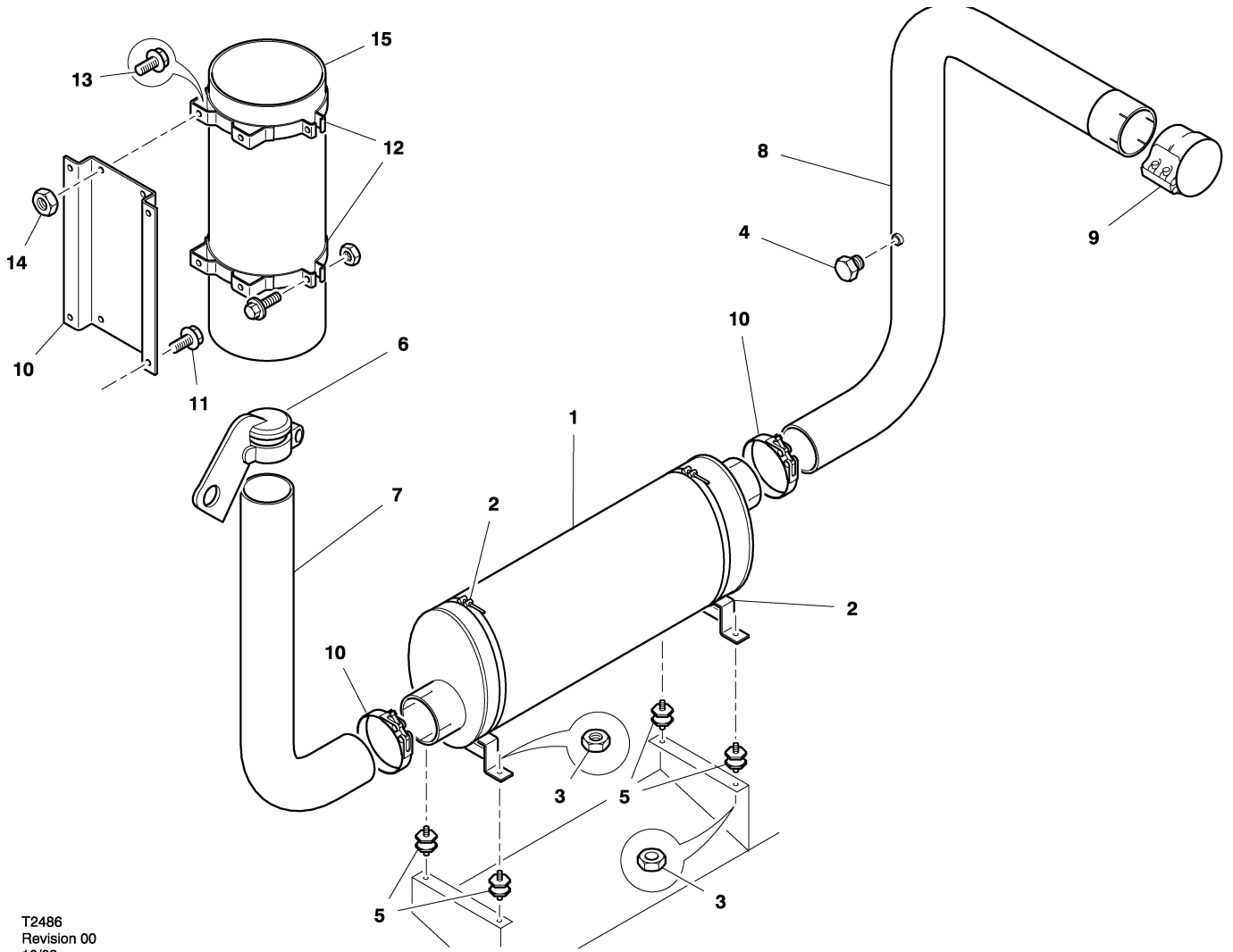
T2484
Revision 00
10/03

Item	ccn	Qty.	Description	Item	ccn	Qty.	Description
1	54575980	1	Tube assembly	18	54635586	1	Valve, check
2	54709944	1	Aftercooler	19	95365078	1	Connector
3	46355602	1	Tube assembly	20	35367846	1	Adaptor
4	35335124	2	Connector	21	35322379	1	Valve, blowdown
5	91112201	1	Separator, water	22	35248319	1	Orifice
6	95245353	1	Adaptor	23	35283472	1	Connector
7	95772562	1	Nipple	24	35283498	1	Hose assembly
8	36844579	1	'Y' strainer	25	35301225	1	Elbow
9	95940748	1	Bushing	26	36889608	3	Screw
10	37081528	1	Orifice	27	36881886	3	Nut
11	36841526	1	Heater	28	54576079	1	Valve
12	36847853	1	Tie	28a	54592001	1	Plate, valve
13	35284082	1	Connector	28b	95928321	2	Washer
14	22285795	1	Hose assembly	28c	54591961	1	Handle, valve
15	54578869	1	Tube assembly	28d	96702055	1	Screw
16	22290027	1	Tube assembly	29	54576020	1	Tube assembly
17	92756832	2	Connector				



T2485
Revision 00
10/03

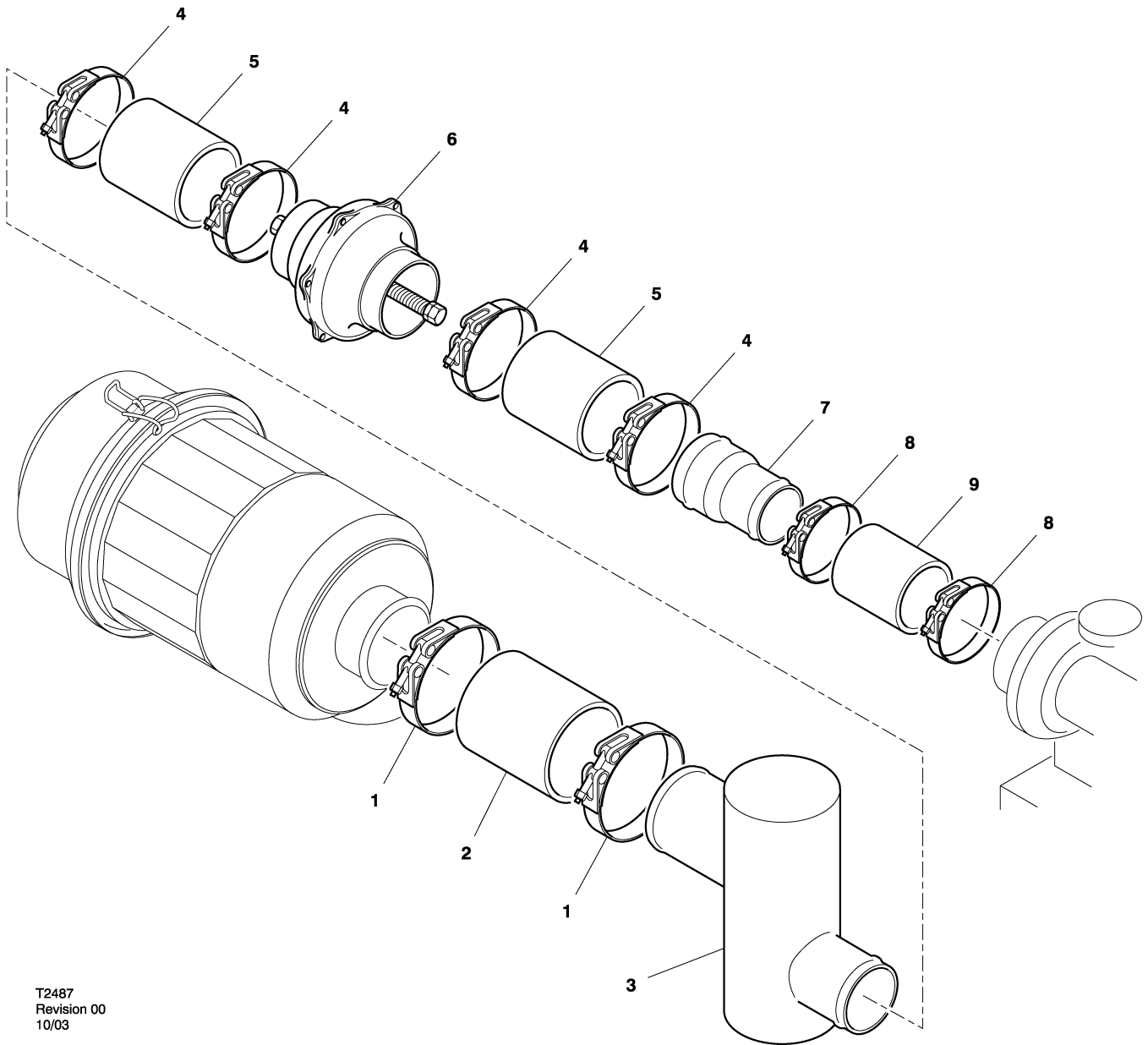
Item	ccn	Qty.	Description	Item	ccn	Qty.	Description
1	22254403	2	Light	*5	93524007	10	Base, cable tie
2	35285162	2	Bulb, light	*6	92434315	10	Tie, cable
3	22255137	1	Harness				
4	89299382	1	Decal				* Not illustrated



T2486
Revision 00
10/03

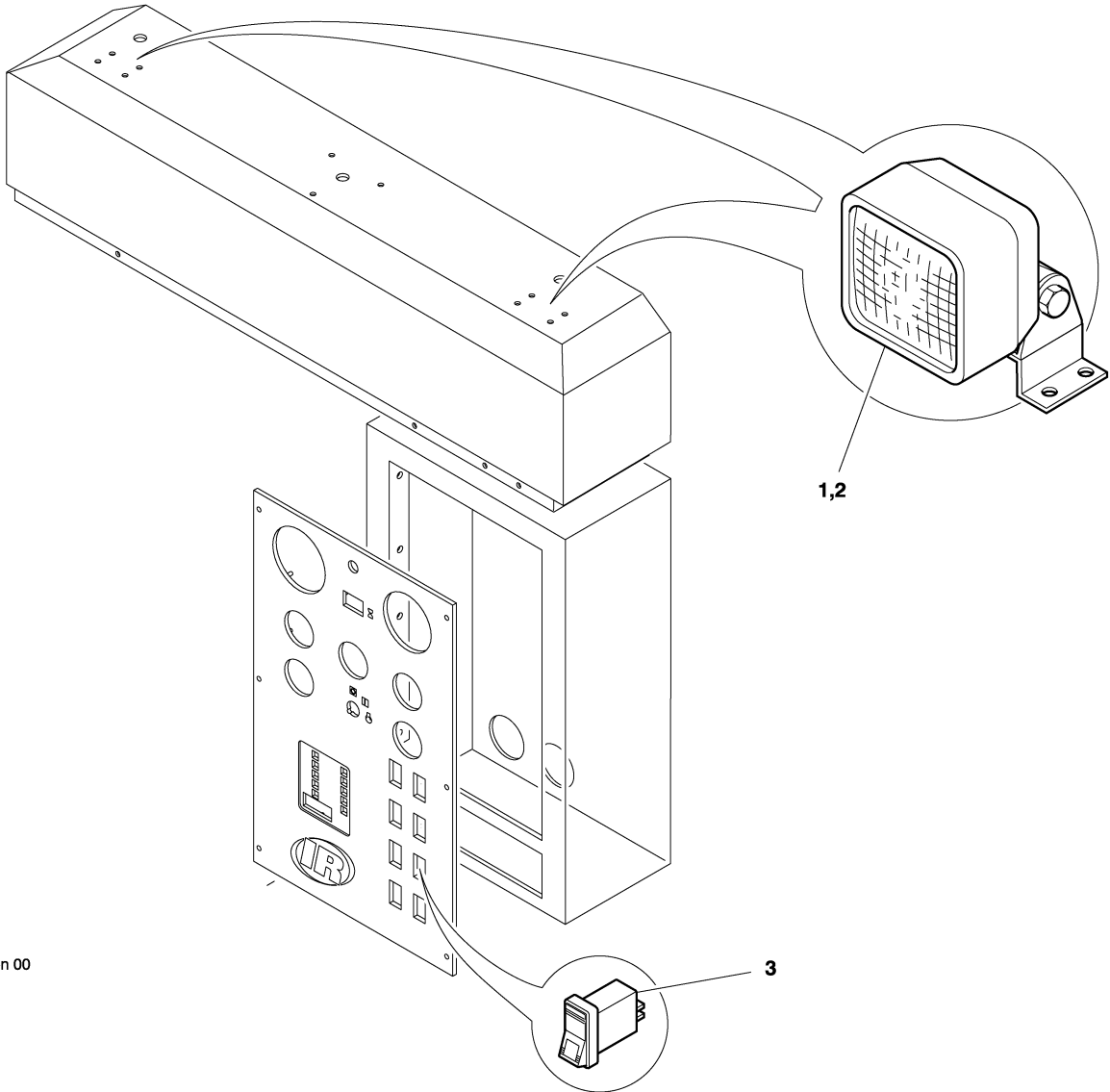
Item	ccn	Qty.	Description	Item	ccn	Qty.	Description
1	89298855	1	Arrestor, spark	9	35307131	1	Clamp
2	24906919	2	Bracket	10	89298889	2	Clamp
3	36881886	8	Nut	11	35279025	4	Screw
4	95928255	1	Plug	12	36787026	2	Band, mounting
5	92276096	4	Mount	13	36889608	4	Screw
6	89299242	1	Raincap	14	36881886	4	Nut
7	22334650	1	Pipe	15	36787034	1	Tube
8	22334635	1	Pipe				

61 OPTION – Overspeed valve



T2487
Revision 00
10/03

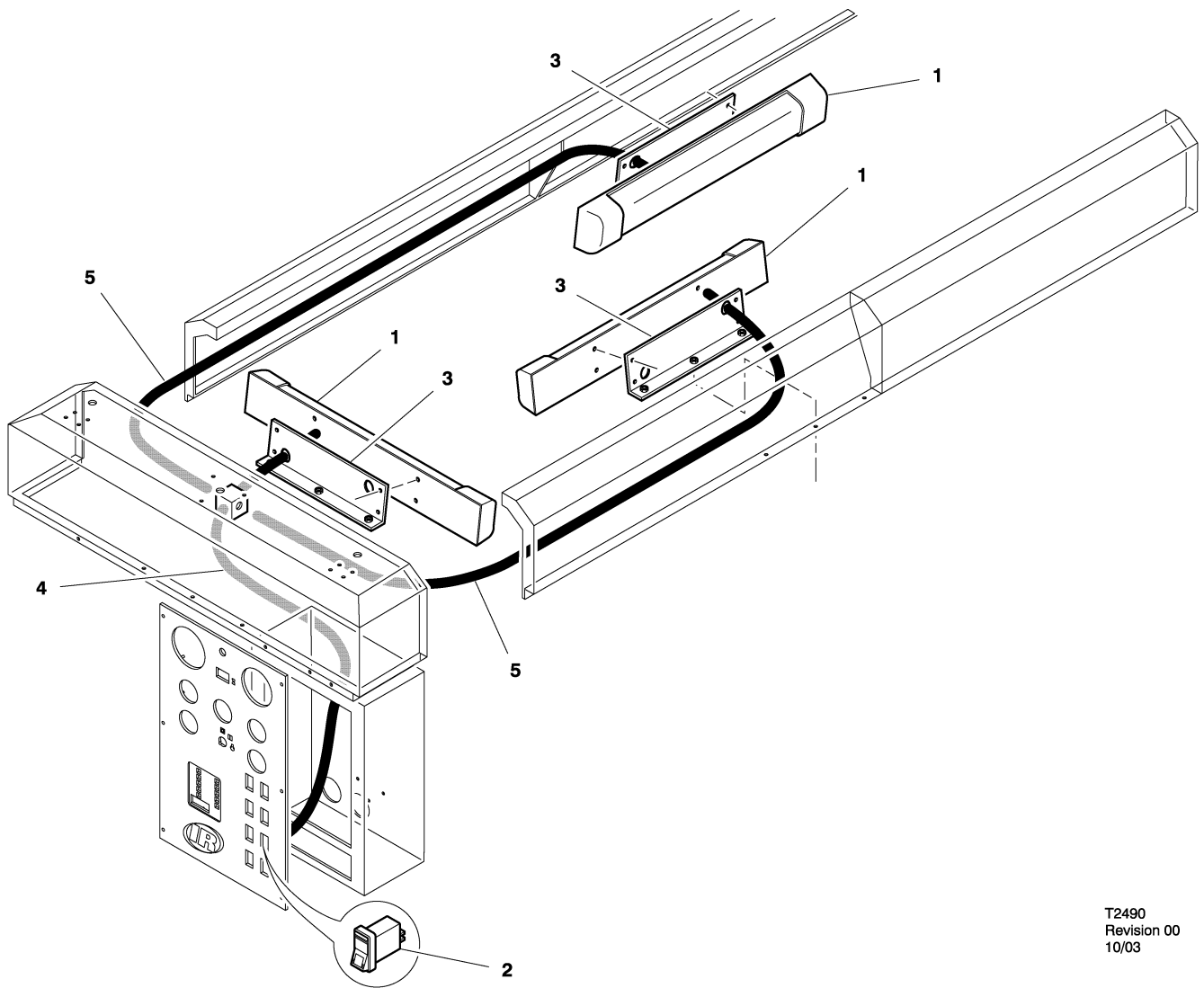
Item	ccn	Qty.	Description	Item	ccn	Qty.	Description
1	35123496	2	Clamp 6"	5	22333538	2	Connector
2	89299440	1	Connector	6	92808591	1	Chalwyn valve
3	22329916	1	6x5 offset	7	22333512	1	Reducer
4	35161025	4	Clamp 5"	8	36897668	2	Clamp 4"
				9	22333520	1	Connector



T2489
Revision 00
10/03

Item	ccn	Qty.	Description	Item	ccn	Qty.	Description
1	89393150	2	Light	*5	93524007	10	Base, cable tie
2	89303143	2	Bulb, light	*6	92434315	10	Tie, cable
3	22351019	1	Switch				
*4	22350839	1	Harness, lights				* Not illustrated

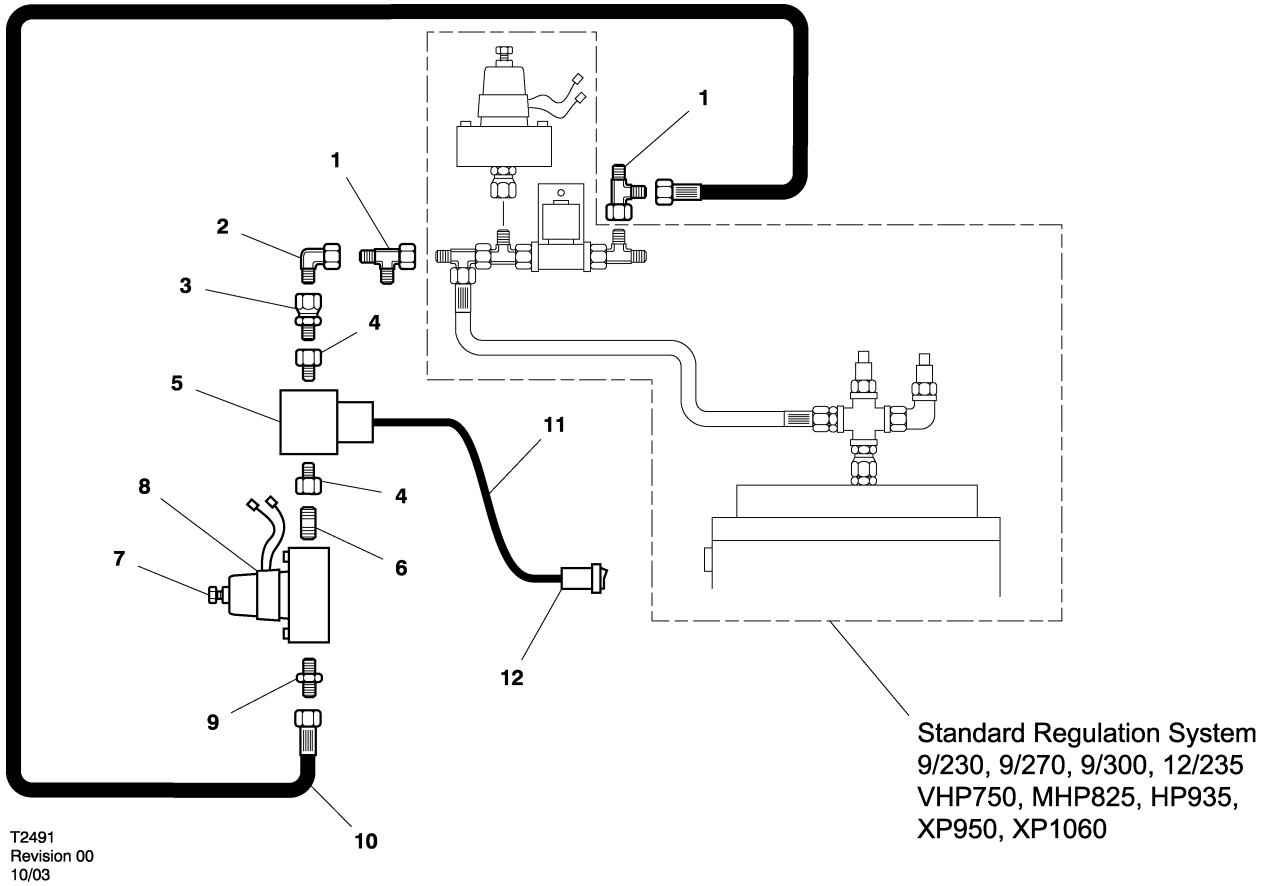
63 OPTION – Service lights



T2490
Revision 00
10/03

Item	ccn	Qty.	Description	Item	ccn	Qty.	Description
1	89303275	3	Light	*5	93524007	10	Base, cable tie
2	22351019	1	Switch Rocker	*6	92799378	10	Tie, cable
3	89303226	3	Bracket				* Not illustrated
4	22350847	1	Harness				

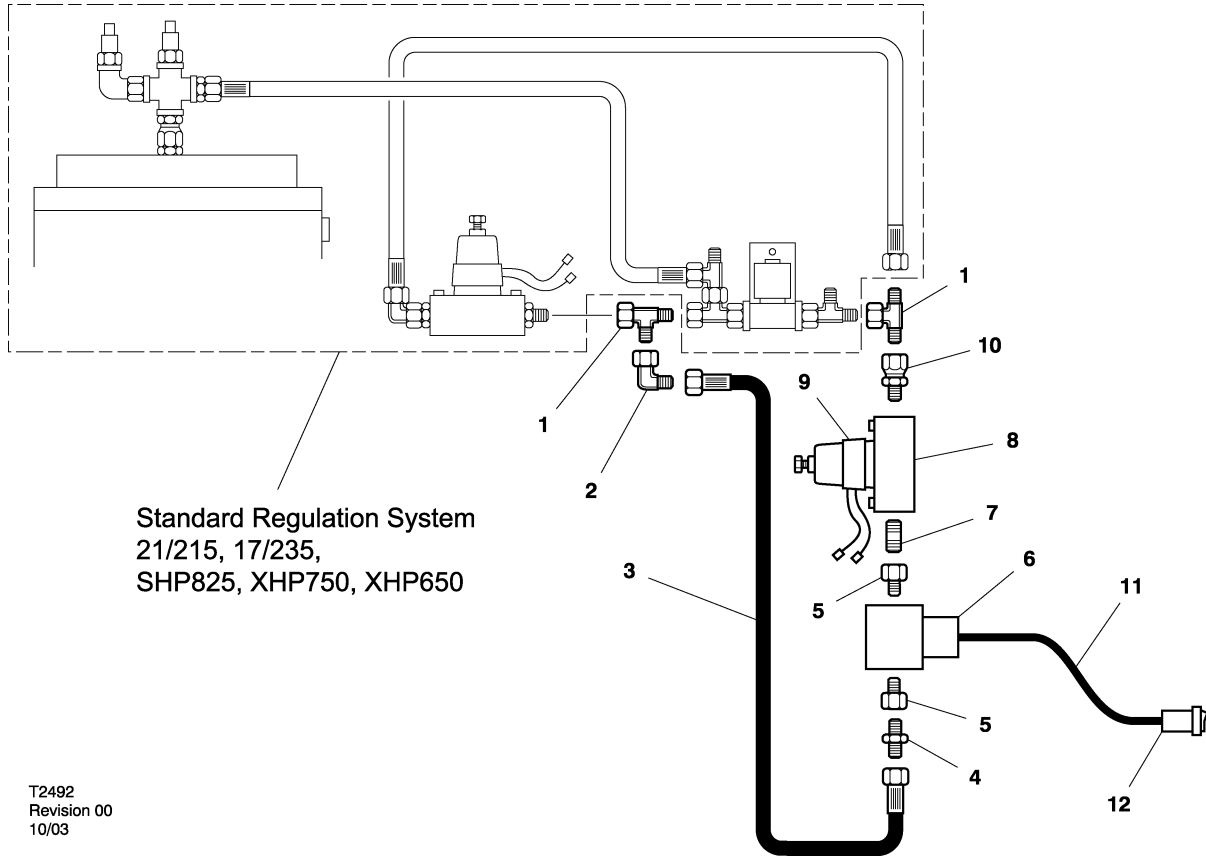
9/230 9/270 9/300 12/235
 VHP750 MHP825 HP935
 XP950 XP1060



Item	ccn	Qty.	Description	Item	ccn	Qty.	Description
1	35283084	2	Tee	9	35284082	1	Adaptor
2	35279827	1	Elbow	10	35283282	1	Hose assembly
3	35367846	1	Connector	11	22339683	1	Harness
4	95940748	2	Bush, reducing	12	22054084	1	Switch
5	36840841	1	Valve, solenoid	*13	54773791	1	Decal for LP/HP Regulator
6	95667341	1	Nipple				
7	36854149	1	Pressure regulator				
8	36854677	1	Heater				

65 OPTION – Dual pressure

17/235 21/215
 SHP825 XHP750 XH650



Item	ccn	Qty.	Description	Item	ccn	Qty.	Description
1	35283092	2	Tee	9	36854677	1	Heater
2	35283068	1	Elbow	10	35367846	1	Adaptor
3	35323724	1	Hose assembly	11	22339683	1	Harness
4	35284082	1	Adaptor	12	22054084	1	Switch
5	95940748	2	Bush, reducing	*13	22130314	1	Bracket
6	36840841	1	Valve, solenoid	*14	54773791	1	Decal for LP/HP Regulator
7	95667341	1	Nipple				
8	92956093	1	Pressure regulator				* Not illustrated

Item	Qty.	Description / ccn	Item	Qty.	Description / ccn	Item	Qty.	Description / ccn
1-4	1	22354302 GB KIT-0-50 HOURS BR KIT-0-50 HRS MX KIT-0-50HRS	1-6	1	22354310 GB KIT-500 HOURS BR KIT-500 HRS MX KIT-500HRS	1-7	1	22354328 GB KIT-1000 HOURS BR KIT-1000 HRS MX KIT-1000HRS
1	1	35362235 GB Filter,oil (engine) BR Filtro de óleo (motor) MX Filtro de aceite (motor)	1	1	35362235 GB Filter,oil (engine) BR Filtro de óleo (motor) MX Filtro de aceite (motor)	1	1	35362235 GB Filter,oil (engine) BR Filtro de óleo (motor) MX Filtro de aceite (motor)
2	1	22090534 GB Filter, fuel (Primary) BR Filtro de combustivel MX Filtro combustible	2	1	22090534 GB Filter, fuel (Primary) BR Filtro de combustivel MX Filtro combustible	2	1	22090534 GB Filter, fuel (Primary) BR Filtro de combustivel MX Filtro combustible
3	1	22284376 GB Filter, fuel (Secondary) BR Filtro de combustivel MX Filtro combustible	3	1	22284376 GB Filter, fuel (Secondary) BR Filtro de combustivel MX Filtro combustible	3	1	22284376 GB Filter, fuel (Secondary) BR Filtro de combustivel MX Filtro combustible
4	2	36860336 GB Filter,oil (airend) BR Filtro de óleo(airend) MX Filtro de aceite (airend)	4	1	22351654 GB Filter, coolant (engine) BR Filtro, refrigerante MX Filtro del refrigerante	4	1	22351654 GB Filter, coolant (engine) BR Filtro, refrigerante MX Filtro del refrigerante
			5	2	36860336 GB Filter,oil (airend) BR Filtro de óleo(airend) MX Filtro de aceite (airend)	5	2	36860336 GB Filter,oil (airend) BR Filtro de óleo(airend) MX Filtro de aceite (airend)
			6	2	89288971 GB Filter, air (Primary) BR Filtro de ar MX Filtro de aire	6	2	89288971 GB Filter, air (Primary) BR Filtro de ar MX Filtro de aire
						7	2	89288989 GB Filter, air (Safety) BR Filtro de ar MX Filtro de aire
1-8	1	22354336 GB SHP, XHP BR KIT-2000 HOURS MX KIT-2000HRS	1-8	1	22354344 GB HP, XP, MHP, VHP BR KIT-2000 HOURS MX KIT-2000HRS			
1	1	35362235 GB Filter,oil (engine) BR Filtro de óleo (motor) MX Filtro de aceite (motor)	1	1	35362235 GB Filter,oil (engine) BR Filtro de óleo (motor) MX Filtro de aceite (motor)			
2	1	22090534 GB Filter, fuel (Primary) BR Filtro de combustivel MX Filtro combustible	2	1	22090534 GB Filter, fuel (Primary) BR Filtro de combustivel MX Filtro combustible			
3	1	22284376 GB Filter, fuel (Secondary) BR Filtro de combustivel MX Filtro combustible	3	1	22284376 GB Filter, fuel (Secondary) BR Filtro de combustivel MX Filtro combustible			
4	1	22351654 GB Filter, coolant (engine) BR Filtro, refrigerante MX Filtro del refrigerante	4	1	22351654 GB Filter, coolant (engine) BR Filtro, refrigerante MX Filtro del refrigerante			
5	2	36860336 GB Filter,oil (airend) BR Filtro de óleo(airend) MX Filtro de aceite (airend)	5	2	36860336 GB Filter,oil (airend) BR Filtro de óleo(airend) MX Filtro de aceite (airend)			
6	2	89288971 GB Filter, air (Primary) BR Filtro de ar MX Filtro de aire	6	2	89288971 GB Filter, air (Primary) BR Filtro de ar MX Filtro de aire			
7	2	89288989 GB Filter, air (Safety) BR Filtro de ar MX Filtro de aire	7	2	89288989 GB Filter, air (Safety) BR Filtro de ar MX Filtro de aire			
8	1	89202022 GB Element, separator BR Elemento, separador MX Elemento separador	8	1	89285161 GB Element, separator BR Elemento, separador MX Elemento separador			

Language	Translation	Language	Translation	Language	Translation
GB BR MX	* Not illustrated * Não ilustrado * No dibujado	GB BR MX	Guard Resguardo Defensa	GB BR MX	'O' Ring 'O' ring Junta tórica
GB BR MX	† Option † Opções † Opcion	GB BR MX	Harness Cablagem Mazo de cables	GB BR MX	Plug Tomada Tapón
GB BR MX	Adaptor Adaptador Adaptador	GB BR MX	Holder, manual Suporte, manual Soporte del manual	GB BR MX	Reducer Reductor Reducción
GB BR MX	Adaptor, orifice Orificio adaptador Adaptador de orificio	GB BR MX	KIT – INTERNAL DECALS KIT – AUTOCOLANTES INTERIORES KIT – CALCOMANÍAS INTERNAS	GB BR MX	Screen, security Blindagem de segurança Pantalla de seguridad.
GB BR MX	Base, cable tie Base, atilho de cabo Base, amarre de cable	GB BR MX	Locknut Porca de freio Tuerca de seguridad	GB BR MX	Screw Parafuso Tornillo
GB BR MX	Bolt Parafuso Tornillo	GB BR MX	Locknut, Nyloc Porca de freio, "Nyloc" Tuerca de seguridad, "Nyloc"	GB BR MX	Screw, self tapping Parafuso auto-roscante Tornillo, autorroscante
GB BR MX	Bracket Suporte Soporte	GB BR MX	Lockwasher Anilha de aperto Arandela de presión	GB BR MX	Setscrew Parafusos Tornillo
GB BR MX	Bush, reducing Casquilho reductor Reducción	GB BR MX	Manual, Operation and Maintenance, with parts catalogue Manual de operação e manutenção, com lista de peças Manual de manejo y mantenimiento, con lista de repuestos	GB BR MX	Silencer Silenciador Silenciador
GB BR MX	Bulb, light Lampada Bombilla	GB BR MX	Manual, Operation and Main- tenance Manual de operação e manu- tenção Manual de manejo y manteni- miento	GB BR MX	Tee Tê Te
GB BR MX	Cap Tampão Caperuza	GB BR MX	Manual, Operation and Main- tenance Manual de operação e manu- tenção Manual de manejo y manteni- miento	GB BR MX	Tie, cable Atilho, cabo Amarre de cable
GB BR MX	Capscrew Socket Head Parafuso sextavado interior Tornillo de caperuza	GB BR MX	Manual, Parts catalogue Lista de peças Lista de repuestos	GB BR MX	Valve, ball Válvula Válvula de bola
GB BR MX	Connector Ligador Conector	GB BR MX	Nipple Casquilho Manguito	GB BR MX	Washer Anilha Arandela
GB BR MX	Coupling Acoplamento Acoplamiento	GB BR MX	Nut Porca Tuerca	GB BR MX	Washer, Spring Anilha de mola Arandela elástica
GB BR MX	Fuse Fusível Fusibile				

Code	Description	CCN	Code	Description	CCN	Code	Description	CCN
AF	Bolt 3/8" UNC x 1"	95470993	JE	Nut 1/4" UNF	92274828	QR	Setscrew 5/8" X 1.75"	95215000
AI	Bolt M10 x 60	39155239	JP	Nut M10	92304526	QX	Setscrew M10 x 20	92304393
BC	Bolt M16 x 100	92311703	JR	Nut M12	90103854	QZ	Setscrew M10 x 25	92304401
BD	Bolt M16 x 110	92419886	JV	Nut M16	92484880	RC	Setscrew M10 x 50	92304427
BG	Bolt M16 x 70	92280965	JX	Nut M20	92700590	RE	Setscrew M12 x 25	92304435
BI	Bolt M16 x 90	92495597	KD	Nut M8	92304518	RF	Setscrew M12 x 30	90103185
BM	Bolt M20 x 90	92391358	KR	Nut M12	92304575	RH	Setscrew M12 x 35	92280973
CA	Bolt 3/8" UNC x 2"	95792321	KS	Nut M12	92304575	RT	Setscrew M16 x 40	92280940
C6	Setscrew M8 x 12	96716105	LF	Nut M6	92398106	RW	Setscrew M20 x 35	39136346
C7	Setscrew M16 x 35	96706254	LG	Nut M8	92398114	RX	Setscrew M20 x 40	92341239
C8	Setscrew M10 x 35	96705983	MP	Screw M5 x 12	92879261	SH	Setscrew M6 x 25	92341973
C9	Setscrew M16 x 45	96706262	MZ	Screw M6 x 16	92096031	SJ	Setscrew M6 x 35	92339688
DI	Bolt .M16 x 40	35272541	NJ	Screw M8 x 1.25 x 25	35273416	SP	Setscrew M8 x 35	92304369
D2	Setscrew M12 x 35	96712179	OA	Screw M6 x 12	92368687	UE	Setscrew M12 x 40	92304443
D3	Setscrew M8 x 16	92972140	OH	Screw M10 x 30	92182138	UO	Screw M10 x 30	92896158
D5	Capscrew Socket Head M6 x 16	93500726	OI	Screw M12 x 20	92176114	VP	Washer M10	92061498
D9	Bolt M10 x 130	88120100	OJ	Screw M12 x 30	92398627	VU	Washer M12	92304625
EN	Capscrew Socket Head M8 x 25	92421411	OM	Screw M6 x 12	92184811	VW	Washer M12	92329341
FV	Capscrew Socket Head 3/8" UNC x 1"	95055349	OO	Screw M6 x 20	92398122	VZ	Washer M16	92359363
GQ	Locknut M16	92311695	OP	Screw M6 x 25	92179043	WB	Washer M20	92340439
HB	Lockwasher 1/4"	95209367	OQ	Screw M8 x 20	92398130	WD	Washer M5	92304583
HI	Lockwasher M10	92061332	OR	Screw M8 x 25	92101112	WE	Washer M6	39145008
HO	Lockwasher M12	92304682	PC	Bolt M20 x 70	50763325	WG	Washer M6	92341981
HS	Lockwasher M16	92359371	PE	Screw M8 x 20	92972157	WH	Washer M8	92061480
HV	Lockwasher M20	92391374	PM	Screw 5/16" UNC x 3/4"	35144336	WI	Washer M8	92304609
IB	Lockwasher M8	92061324	PZ	Screw M10 x 25	35536304	WL	Washer 1/4"	92272756
ID	Lockwasher M8	92304666	QK	Setscrew 3/8" UNC X 1.25"	95251138	YU	Washer M12	92304625
II	Lockwasher M10	92304674	QN	Setscrew 5/16" UNC X 1"	95214938	1CF	Bolt	96708337
IO	Washer, Spring M22	92821677						

Code	Description	CCN	Code	Description	CCN	Code	Description	CCN
AA	Adaptor 3/8"BSPP – 6JIC	92042936	FH	Connector 3/3"BSPT – 8JIC	92984657	QP	Adaptor, orifice 3.5mm	89252845
AAA	Adaptor 2"BSPT – 32JIC	92756832	FI	Connector 2"BSPP – 32JIC	88100284	QQ	Adaptor, orifice 3/8" – 6JIC	89252837
AAB	Adaptor 2 1/2" UNF – 32JIC	54635594	FK	Connector 9/16"UNF – 6JIC	95978235	QS	Adaptor, orifice	89298145
AB	Adaptor 9/16" UNF – 6JIC	35283076	FO	Adaptor SW NUT – 6 JIC	92098235	QT	Adaptor, orifice 1.0mm	92955244
AC	Adaptor 3/4"BSPP – 12JIC	92123215	GB	Elbow 3/4"BSPP – 12JIC	92395508	QU	Adaptor, orifice 1/4"BSPP	92101054
AE	Adaptor 1 1/8" UNF – 6JIC	95310116	GI	Elbow 1/4"BSPT – 6JIC	92394261	QX	Adaptor, orifice	54592176
AH	Adaptor 1/4"BSPT – 6JIC	92478387	GJ	Elbow, orifice	92080811	RF	Valve, ball 3/4"BSPP	92294461
AP	Adaptor –6 / –4JIC	92394295	GK	Elbow 9/16"UNF – 6JIC	35279827	SA	Fitting, barbed	39137526
AQ	Adaptor 1/4"BSPP – 6JIC	92173780	HW	Elbow 1/8"NPT – 4JIC	35301225	TO	Bush, reducing 1/2" – 1/4"	92354380
AR	Adaptor 3/4"UNF – 6JIC	92420058	IJ	Elbow 3/4"BSPT	92253889	TV	Bush, reducing 3/4"UNF – 6JIC	92420058
AX	Adaptor 1/4" – 1/8"BSPT	92415363	JB	Tee SW NUT RUN – 6JIC	35283084	TW	Bush, reducing 3"BSPP –2 1/2" SAE	54579172
BA	Adaptor 1 1/2"BSPP – 24JIC	92087840	JD	Tee 9/16"UNF – 6JIC	35279850	TX	Bush, reducing 1" – 1/4" BSPT	89292411
BB	Adaptor 2"BSPP –32JIC	92895317	JO	Tee 1/4"BSPP – 6JIC	92971803	TY	Bush, reducing –12JIC – 4JIC	89291900
BG	Bush, reducing 9/16"UNF – 1/4"BSP	92788918	JZ	Tee SW NUT BRANCH – 6JIC	35283092	UB	Nut 9/16"UNF – 6JIC	92394352
BV	Adaptor 1 1/2"BSPP – 24JIC	92905207	KE	Tee 1/4"BSPP – 6JIC	92079532	UE	Nut, cap 3/8"BSPP 6mm	93166593
BY	Adaptor 1 1/4"BSPP – 6JIC	93152593	LH	Elbow PUSH IN 1/8"BSPP 6mm	92902733	WL	Elbow 1/8"BSPT – 2.8mm	88114640
CQ	Adaptor 1/4"BSPP – 1/4"BSPT	92344423	LL	Elbow PUSH IN 1/8"NPT 6mm	89244008	WZ	Elbow 2"BSPT – 32JIC	54636733
CW	Adaptor 1/4"BSPP – 4JIC	88153721	LQ	Elbow SW NUT –6JIC	35283068	XA	Nipple 3/4"BSPT	92255934
DAA	Connector 1/4"NPT – 6JIC	92086149	LS	Elbow 0.5"	39137534	XI	Nipple 2"BSPT	88125414
DAB	Elbow 1/4"NPT – 6JIC	35279934	MT	'O' Ring 1/4"BSPP	92293661	XO	Nipple, reducer 1" – 1/2"BSPT	54398250
DAI	Connector 1/2"BSPT – 8JIC–	92419563	OH	Plug 1/4"BSPP	39483888	YA	Reducer –8JIC – –6JIC	35296227
EE	Connector 1/8"BSPT – 6JIC	92118462	OR	Plug 1/2"BSPT	92257351	YC	Coupling 3/4"BSPT	92178524
FA	Connector 2 1/2"UNF – 32JIC	95371241	QH	Adaptor, orifice	92971811	YQ	Silencer 3/8"BSPT	92513183
FB	Connector 1/4"NPTF – 4JIC	35283472						

CCN & PAGE	CCN & PAGE	CCN & PAGE	CCN & PAGE	CCN & PAGE	CCN & PAGE
22050553, 50	22107981, 35	22144513, 35	22208938, 26	22334650, 60	22392088, 3
22050991, 50	22110852, 27	22144711, 26	22215057, 10	22339683, 64, 65	22392096, 3
22052278, 35	22110860, 27	22146989, 27	22215545, 9, 10	22343545, 2, 3	22392104, 3
22053441, 14	22110878, 27	22147029, 27	22215552, 9	22349914, 10	22392112, 3
22053458, 14	22110886, 27	22147045, 28	22222459, 6, 8	22350839, 62	22392120, 2
22053896, 50	22111439, 27, 29	22147052, 28	22222475, 6, 8	22350847, 63	22392138, 2, 3
22054050, 50	22111447, 27, 29	22147219, 27	22222483, 7, 9	22351019, 62, 63	22392146, 2, 3
22054076, 50	22111454, 27	22147227, 27	22231476, 48	22351654, 14, 66	22392153, 2, 3
22054084, 64, 65	22111470, 27	22147425, 28	22243141, 56	22354302, 66	22392161, 2, 3
22054142, 50	22111488, 27	22148357, 27	22243158, 56	22354310, 66	22392179, 2, 3
22054159, 50	22111496, 27	22148365, 27	22246714, 42, 46	22354328, 66	22392187, 2
22055800, 50	22113880, 50	22148894, 28, 29	22246722, 36	22354336, 66	22392195, 2
22055883, 50	22114218, 27	22149199, 27, 29	22254403, 59	22354344, 66	22392203, 2, 3
22056105, 32	22119218, 37	22149207, 27, 29	22255137, 59	22362933, 17	22392211, 2, 3
22056188, 28	22122956, 26	22149355, 27, 29	22256515, 2, 3	22362941, 17	22392229, 2, 3
22056212, 27	22122972, 26	22149520, 30	22258115, 31	22377675, 14	22392237, 2, 3
22058556, 35	22122980, 26	22150023, 35	22258529, 31	22391718, 4	22392245, 2
22058564, 35	22122998, 26	22150031, 35	22258545, 30	22391734, 2	22392252, 2
22065973, 17	22123004, 26	22150213, 35	22265748, 28, 29	22391742, 5	22392260, 2, 5
22068845, 56	22123012, 26	22150353, 25	22265839, 28	22391759, 1	22392278, 2
22072151, 26	22123020, 26	22153225, 28	22265847, 28	22391767, 1, 2, 4	22392286, 2
22075279, 17	22123038, 26	22153233, 28	22265854, 28	22391783, 1, 4	22392294, 2
22075287, 17	22123079, 26	22155451, 34	22267322, 24	22391791, 1, 4	22392302, 3
22075295, 20, 31	22123095, 24	22155469, 34	22267330, 28, 29	22391809, 1	22392310, 3
22079636, 35	22123236, 25	22162572, 54, 57	22277057, 50	22391817, 1	22392328, 3
22079651, 24	22123301, 24	22163919, 6, 8	22279566, 34	22391825, 1	22392336, 3
22079677, 24	22123327, 26	22173579, 50	22281174, 25	22391833, 1, 5	22392344, 3
22079685, 24	22123335, 26	22173868, 31	22284376, 14, 66	22391841, 1	22392351, 3
22079750, 25	22123368, 26	22180491, 26	22285795, 55, 58	22391858, 1, 2, 4	22392369, 3
22081988, 24	22123384, 26	22180509, 26	22290019, 56	22391866, 1	22392377, 2
22090534, 14, 66	22123418, 24	22180897, 24	22290027, 58	22391874, 1	22392385, 2
22092795, 34	22123491, 36, 39	22181069, 24	22300339, 27	22391882, 1, 4	22392393, 2
22093009, 39	22124291, 40	22181077, 25	22300594, 28	22391890, 1, 4	22392401, 2
22093942, 30, 31, 61	22126197, 35	22182984, 40	22300669, 28	22391908, 4	22392419, 2
22094759, 34	22126460, 35	22183990, 34	22306633, 13	22391916, 4	22392427, 2
22097448, 25	22127492, 24	22184675, 6, 8	22306674, 28	22391924, 4	22392435, 3
22097646, 14	22130314, 47, 65	22184691, 26	22306690, 28	22391932, 4	22392443, 5
22097653, 35	22130322, 36	22184907, 26	22318596, 25	22391940, 4	22392450, 5
22099469, 51	22130801, 36	22185037, 26	22319685, 7, 9	22391957, 4	22392468, 5
22099477, 51	22132898, 24	22186126, 32	22320725, 7, 9	22391965, 4	22392476, 5
22099584, 51	22132906, 25	22186233, 26	22320865, 7, 9	22391973, 4	22392484, 5
22101059, 51	22133425, 24	22188262, 35	22320873, 7, 9	22391981, 4	22392492, 5
22101067, 51	22134118, 50	22189492, 11	22327266, 50	22391999, 4	22392500, 5
22102339, 35	22134167, 32	22189500, 11	22329817, 24	22392005, 4	22392518, 5
22103287, 26	22134175, 32	22193031, 24	22330039, 6, 8	22392013, 4	22392526, 5
22104756, 26	22137939, 36, 39	22196786, 25	22331326, 6, 8	22392021, 4, 5	22392534, 5
22105134, 50	22138259, 36, 39	22200273, 25	22331763, 6, 8	22392039, 4, 5	22392542, 5
22105571, 50	22138721, 36, 39	22200737, 25	22332449, 6, 8	22392047, 4	22392559, 5
22105613, 50	22139752, 36, 39	22200745, 25	22332605, 36, 39	22392054, 4	22392567, 5
22105621, 50	22141196, 36, 39	22205942, 25	22333520, 61	22392062, 4, 5	22392575, 3
22105639, 50	22144505, 39	22207997, 11	22334635, 60	22392070, 3	

71 CCN INDEX

CCN & PAGE	CCN & PAGE	CCN & PAGE	CCN & PAGE	CCN & PAGE	CCN & PAGE
22392583, 3	35272996, 6, 8	35300201, 18	35336122, 17, 18, 20	35369438, 19	36500734, 19
22392591, 3	35273366, 50	35301225, 57, 58	35336130, 18, 20	35369800, 6, 8	36501013, 21
22392609, 3	35273408, 18	35302314, 22, 43	35336419, 12	35370063, 23	36504116, 17
22392617, 3	35273937, 17	35304047, 6, 8	35337583, 17	35371996, 17	36506756, 23
22392625, 3	35277797, 23	35306091, 41, 46, 47	35355502, 20	35372002, 17	36507515, 16
22392633, 3	35279025, 10, 30, 31, 32, 37, 39, 60	35306638, 23	35355767, 21	35372010, 17	36722452, 44
22392641, 3	35279827, 23, 41, 43, 64	35306687, 57	35355775, 17	35372028, 17	36722460, 44
22392658, 3	35279934, 54, 55	35307131, 32, 60	35355783, 20	35374453, 9	36734424, 7
22392666, 3	35279942, 36, 39, 49	35309715, 23	35355791, 18	35375385, 36, 49	36737161, 17
22392674, 3	35279942, 36, 39, 49	35310960, 57	35355809, 17	35376094, 7	36738128, 18
22392682, 3	35281336, 30	35311026, 43	35355817, 18, 20	35379387, 7, 9	36738797, 20
22407753, 1	35282920, 42, 46	35311463, 18, 19, 20, 21	35355825, 21	35379395, 7, 9	36740546, 16
22407761, 1	35282946, 41	35311471, 54, 57	35355833, 21	35385277, 6, 8	36742880, 9
22407779, 1	35282979, 41	35313568, 16	35355841, 21	35385293, 6, 8	36743722, 22
22407787, 1	35282987, 54	35314582, 50	35355858, 21	35579630, 36, 39, 49	36743797, 22
24906919, 60	35282995, 34	35315217, 6, 8	35355866, 18	35591163, 44	36743805, 23
30641278, 34	35283050, 42, 43, 45	35315944, 13	35355874, 19	35591189, 44	36743870, 22
30898096, 41	35283068, 23, 46, 65	35316348, 34	35355916, 19	35592534, 44	36743896, 22
32580510, 34	35283081, 55	35316876, 6, 8	35355924, 19	35593508, 16	36743904, 23
33297340, 20	35283084, 64	35316884, 6, 8	35355940, 19	35600014, 18	36743912, 23
35072222, 44	35283092, 41, 43, 48, 65	35317700, 45	35355957, 19	35600022, 18, 20	36743920, 23
35082114, 20	35283241, 41, 48	35318146, 17	35355965, 18	35600030, 20	36743961, 23
35086354, 17, 18, 21	35283282, 42, 48, 64	35318161, 49	35355973, 18	35600105, 21	36745669, 22
35086859, 17, 18, 21	35283464, 57	35321983, 42, 43	35355999, 18	35600113, 19	36745792, 23
35092279, 23	35283472, 42, 57, 58	35322346, 42, 43, 46	35356039, 20	35602457, 21	36746410, 17, 18, 21
35096205, 17, 18, 21	35283480, 54, 57	35322379, 43, 54, 55, 57, 58	35356302, 12	35602473, 36, 39	36746428, 17, 18, 21
35104082, 17	35283498, 57, 58	35323591, 57	35356310, 12	35602846, 10	36746626, 22
35113646, 25, 35	35283506, 34	35323724, 43, 46, 54, 57, 65	35356328, 12	35602895, 10	36748093, 23
35119718, 41, 46	35284082, 41, 42, 43, 46, 54, 55, 57, 58, 64, 65	35324839, 41, 48	35356336, 12	35602903, 10	36748101, 23
35119858, 30			35356369, 12	35603349, 50	36750909, 17
35123496, 30, 31			35356484, 34	35604115, 50	36756120, 23, 36
35127653, 25	35284504, 46	35324987, 54, 57	35356526, 7, 9	35605187, 7	36757581, 22, 36
35148204, 2, 3	35285162, 59	35325133, 45	35356914, 6, 8	35605203, 21	36758357, 22
35166404, 45	35285626, 20	35326958, 6, 8	35356922, 6, 8	35606490, 23	36759447, 23
35209048, 25	35287556, 23	35326966, 6, 8	35356930, 6, 8	35609098, 23	36763183, 17, 18, 21
35221639, 36, 54, 57	35287721, 22	35327204, 44	35357151, 10	35609544, 7	36763704, 21
35222017, 35	35287895, 22, 23	35327840, 9	35358829, 10	35609874, 14	36764785, 16
35225093, 54, 57	35287911, 22	35328210, 44	35361286, 17	35610153, 17	36782837, 11
35248145, 42, 46	35288034, 57	35328228, 44	35361328, 16	35610195, 17	36785319, 14
35248319, 55, 58	35288166, 22	35328236, 44	35362235, 14, 66	35610203, 17	36787026, 32, 60
35253038, 22	35288422, 9, 10	35328244, 44	35364975, 16	35610385, 6, 8	36787034, 32, 60
35255819, 16	35290147, 41, 47	35328251, 44	35364991, 22	35856350, 19	36798205, 23
35258789, 51	35294156, 22	35328269, 44	35366251, 20	35856418, 21	36798346, 16
35262963, 16	35294487, 42, 46	35330570, 35	35366657, 19	35856467, 17	36798361, 16
35271139, 17	35294677, 22	35331578, 44	35367044, 13	35857036, 32	36840460, 41, 43
35271154, 14, 21	35294719, 47	35331586, 44	35367051, 13	35859396, 9	36840841, 41, 43, 64, 65
35271170, 30, 31	35294727, 22	35331883, 20	35367846, 41, 48, 54, 55, 57, 58, 64, 65	35859404, 10	36840908, 50
35271188, 19	35294735, 22, 23	35332683, 44	35368927, 41, 43	35861137, 22	
35272533, 17, 19	35295344, 20	35332691, 44	35369180, 50	35863885, 22	
35272541, 17	35296409, 37	35334853, 16	35369347, 34	35864644, 19	
35272558, 7, 9, 25	35297340, 6, 8	35335124, 56, 58	35369370, 54	36006732, 18	
35272588, 25	35300193, 18, 20, 21	35335715, 54		36385392, 6	

CCN & PAGE	CCN & PAGE	CCN & PAGE	CCN & PAGE	CCN & PAGE	CCN & PAGE
36841138, 14, 37, 39	36879492, 11	39911292, 16	54718432, 48	89297634, 31	92101054, 48
36841153, 50	36880995, 9, 10, 16, 17	42437582, 16	54719141, 6, 8	89297642, 40	92118462, 45
36841468, 50	36881290, 12	42437590, 16	54731617, 56	89298335, 43	92253194, 40
36841526, 46, 58	36881886, 24, 30, 31, 32, 45, 56, 58, 60	42455337, 16	54731625, 56	89298855, 60	92257401, 44
36842300, 46	36888055, 34	42455345, 16	54738992, 56	89298889, 60	92272368, 22
36842318, 45	36889608, 24, 25, 30, 31, 32, 45, 56, 58, 60	42455378, 16	54739008, 56	89299242, 60	92272756, 34
36843720, 39	36890650, 36	46355602, 55, 58	54739057, 53	89299382, 59	92276096, 32, 60
36844124, 50	36891497, 40	54375845, 28	54739065, 53	89299424, 36, 39	92293661, 38
36844579, 55, 57, 58	36891794, 8	54378526, 36	54763495, 14	89299440, 31	92304393, 21
36844975, 51	36891869, 37	54378534, 36	54765946, 47	89299861, 35	92304435, 17
36845014, 34	36893360, 16	54400031, 16	54766704, 50	89299879, 35	92304492, 45
36845022, 34	36893378, 16	54400049, 16	54773791, 64, 65	89299945, 24	92304559, 24, 26
36845030, 20	36893634, 13	54401583, 55	55571450, 54	89303127, 50	92304583, 45
36845048, 20	36893824, 36, 39	54443213, 26	56797652, 24	89303135, 50	92304617, 22
36846400, 16	36894673, 12	54444427, 35	85507911, 11	89303143, 62	92304674, 14
36846418, 16	36894699, 9, 12	54496773, 41	88114954, 51	89303226, 63	92311695, 14
36846426, 16	36895225, 6, 8	54511282, 51	88152392, 51	89303275, 63	92311703, 14
36846442, 16	36895241, 6	54518667, 40	89201768, 20, 45	89304059, 39	92340058, 45
36846517, 23	36895258, 6	54554480, 42, 43	89201966, 45	89304067, 36	92341981, 51
36846707, 23	36895779, 6	54566781, 24	89202022, 39, 66	89304224, 26	92391382, 25
36847838, 30, 31	36895787, 6	54571443, 25	89202188, 45	89304844, 30, 31	92394279, 31
36847853, 58	36895795, 6	54571450, 56	89232086, 35	89304851, 30, 31	92398106, 51
36850584, 22	36895803, 8	54571765, 49	89249072, 45	89393150, 62	92415363, 48
36850691, 41, 46	36895811, 8	54575972, 52	89252118, 45	89799840, 24, 26	92419563, 40
36851459, 16	36895829, 8	54575980, 53, 55, 58	89252126, 20, 45	91112201, 53, 55, 58	92421353, 20
36851618, 16	36895837, 8	54576004, 56	89285161, 66	91198671, 53	92434315, 59, 62
36852499, 41, 48	36895860, 11, 13	54576012, 53, 55	89285761, 36	92031657, 40	92451962, 53
36852622, 50	36896892, 41	54576020, 56, 58	89285803, 36	92032648, 49	92452192, 53
36854149, 41, 64	36896975, 51	54576038, 36, 39	89285829, 30, 31	92041441, 16, 17	92478387, 46
36854677, 41, 48, 64, 65	36897668, 30, 31	54576079, 53, 55, 56, 58	89285837, 30, 31	92041458, 16, 17	92697333, 44
36854925, 16	36897851, 6	54578711, 54, 57	89286041, 28	92041466, 16, 17	92707801, 17
36855377, 8	36897885, 6	54578869, 54, 55, 57, 58	89286058, 28	92042241, 24, 26	92756832, 58
36855385, 8	36898096, 46, 47, 54, 57	54579404, 54, 57	89286090, 28	92042936, 31, 41, 43, 47, 48	92764372, 20
36860336, 23, 36, 66	36898104, 41, 47	54591961, 53, 55, 56, 58	89286157, 28, 29	92043116, 40	92776749, 51
36865712, 17	36898222, 36, 39, 42, 47	54592001, 53, 55, 56, 58	89286165, 28	92043116, 40	92799378, 63
36865962, 6, 8	36899599, 54, 57	54592001, 53, 55, 56, 58	89286306, 28	92044098, 49	92864115, 53, 55
36867281, 12	36899615, 54, 57	54592167, 54, 57	89286785, 49	92061944, 49	92892934, 39
36870053, 7, 9	36899799, 37	54598784, 54	89287346, 34	92062157, 14	92892959, 48
36870087, 7, 9	36920825, 46	54635586, 53, 55, 56, 58	89287684, 26	92079474, 31, 45	92892967, 39
36870095, 7, 9	37001252, 12	54635602, 53, 56	89287692, 26	92079479, 48	92892975, 49
36870103, 7, 9	37081528, 55, 58	54635610, 53, 55	89287957, 24	92080811, 43	92893221, 39
36870111, 7, 9	39101449, 17	54640255, 54, 57	89288005, 30	92094994, 38	92894518, 17
36870129, 7, 9	39125000, 19	54657408, 24	89288492, 34	92095363, 36, 38	92895267, 39
36870145, 7, 9	39253992, 16	54658323, 51	89288757, 26	92095371, 38	92895317, 39
36870590, 50	39322706, 16	54671557, 11, 13	89288971, 30, 31, 66	92095389, 38	92898576, 36, 39
36870608, 14	39326483, 16	54691557, 13	89288989, 30, 31, 66	92095397, 38	92902733, 54
36877793, 6, 8, 11, 35, 39, 40	39326749, 16	54709928, 36, 39	89289185, 43	92095405, 38	92912021, 45
36879195, 45	39487830, 37, 39	54709944, 53, 55, 56, 58	89289383, 31	92095413, 38	92912419, 26
36879203, 6, 8			89292411, 54, 55	92095421, 38	92922856, 26
36879302, 6, 8, 10			89297600, 24	92095439, 38	92922863, 26
			89297618, 24, 26	92095447, 38	92951075, 49
				92096031, 34	92955244, 48

73 CCN INDEX

CCN & PAGE	CCN & PAGE	CCN & PAGE	CCN & PAGE	CCN & PAGE	CCN & PAGE
92956093, 46, 65	95022380, 36	95358164, 16	95923298, 46	95935037, 14, 45, 50	96700919, 6, 8, 20
92956945, 52	95026290, 19	95365078, 43, 54, 55, 57, 58	95928255, 32, 60	95935052, 7	96701461, 45
92956952, 52	95038048, 22	95371241, 37	95928321, 53, 55, 56, 58	95935599, 54	96701750, 7
92957091, 52	95069522, 19	95415667, 41, 46	95928867, 10	95938114, 48	96701958, 34
92963529, 41	95214524, 20, 44	95431292, 22, 37, 37, 39	95930301, 22, 42, 43, 46	95938197, 37	96702055, 53, 55, 56, 58
92971803, 48	95223178, 20	95588505, 45	95934170, 9	95940748, 42, 43, 47, 55, 57, 58, 64, 65	96704283, 14
92971811, 48	95239927, 16	95659280, 41, 47	95934543, 37, 39	95944575, 42, 43, 55	96719265, 45
92984657, 40	95242442, 45	95667341, 43, 64, 65	95934774, 54, 57	95944690, 46	96735543, 9, 10, 31
93186278, 54, 57	95245353, 57, 58	95757183, 41, 47	95934998, 10, 31	95949491, 34	96735550, 45
93488732, 16	95263190, 44	95765806, 44	95935003, 6, 8, 14	95953493, 54	96745807, 51
93524007, 59, 62, 63	95293320, 23	95772562, 57, 58	95935011, 6, 8	95953899, 41, 46	96790717, 20
95000410, 19	95333274, 34	95823688, 49	95935029, 41, 45, 46	95954293, 42, 43	
95022372, 17	95357943, 23				

